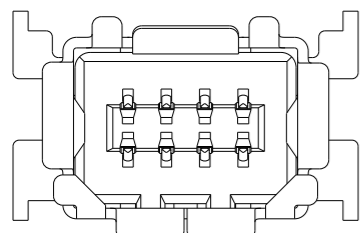
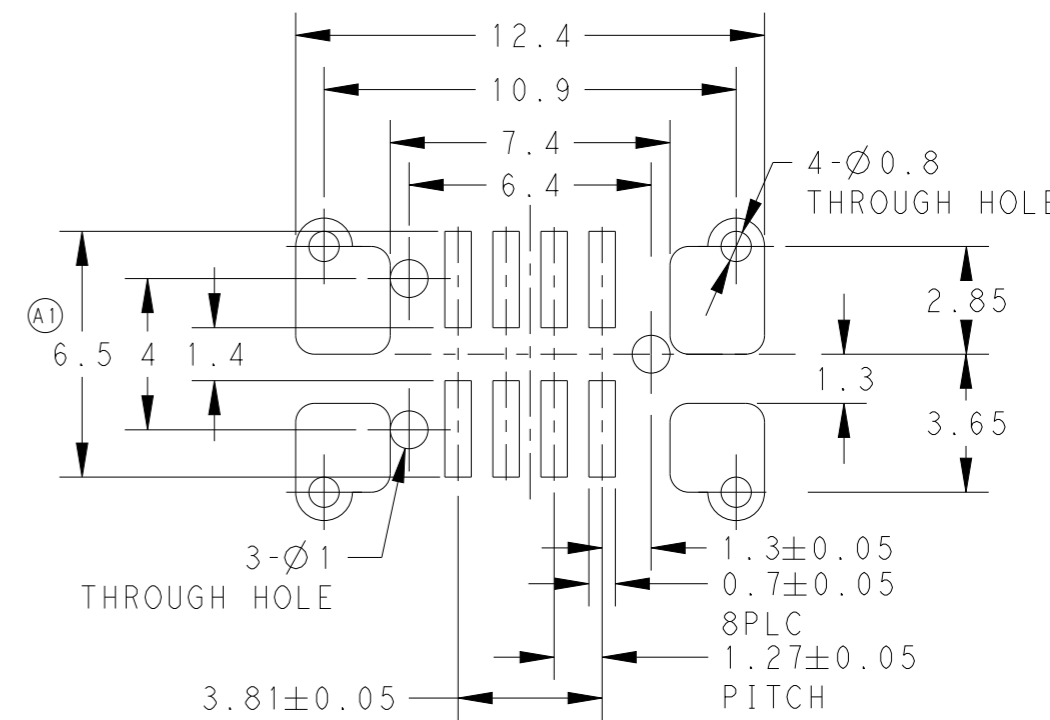
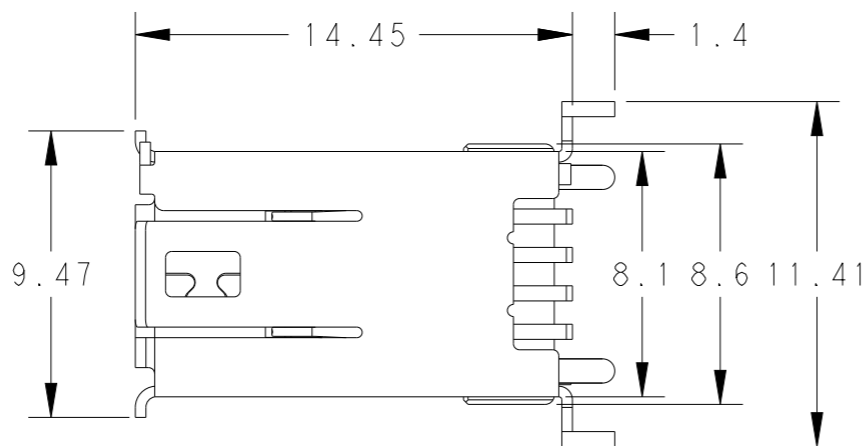


THIS DRAWING IS UNPUBLISHED. RELEASED FOR PUBLICATION
 © COPYRIGHT - BY - ALL RIGHTS RESERVED.

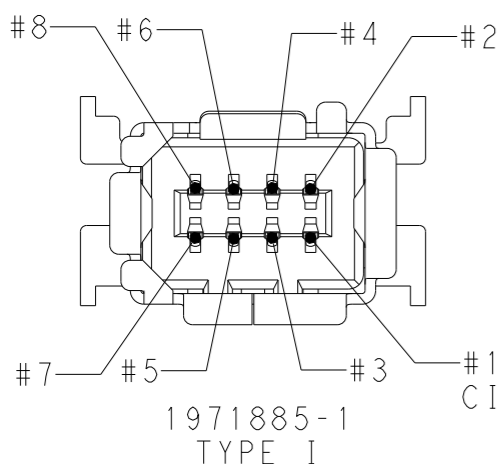
LOC	DIST	REVISIONS					
		P	LTR	DESCRIPTION	DATE	DWN	APVD
-	-		A	NEW RELEASE	03MAR2013	H.W.	P.Y.
			A1	REVISED	16OCT2013	H.W.	X.X.
			A2	SUPERSEDED_PCN-21-114977	02DEC2021	SS	PJ
			A3	REACTIVATE 1-1971885-1 AS RESTRICTED	01AUG2022	BP	JDB



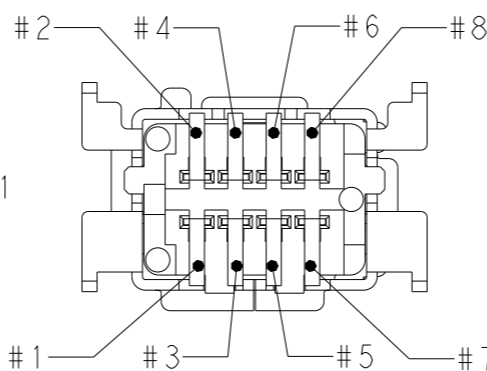
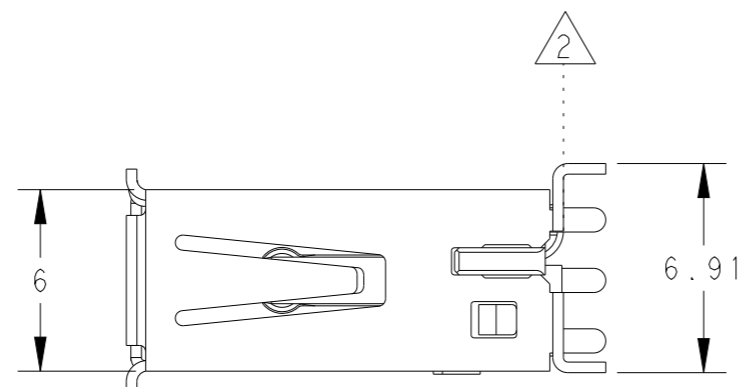
1971885-2
TYPE II



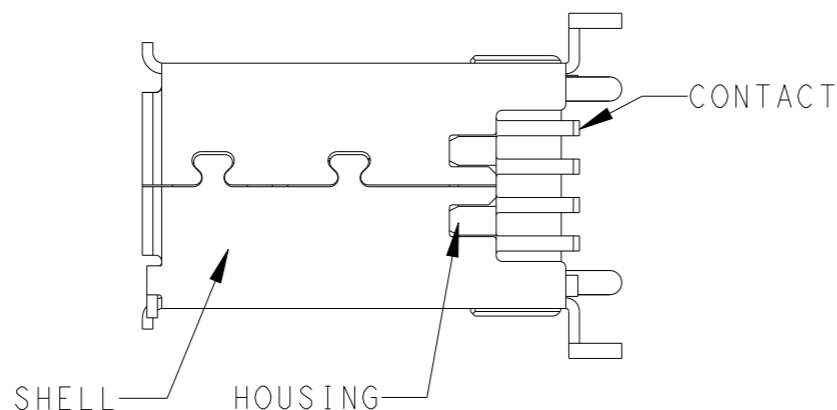
RECOMMENDED BOARD DIMENSION
 t=1.6
 SCALE 5:1
 GENERAL TOL.: ±0.1



1971885-1
TYPE I




CIRCUIT NO



SUPERSEDED BY: CUSTOMER RESTRICTED DRAWING

NOTES:
 1 MATERIAL AND FINISH
 CONTACT: COPPER ALLOY
 UNDER ALL SURFACE NICKEL 1.27µm MIN.
 TOP CONTACT AREA: GOLD 0.5µm MIN
 SOLDERING AREA: TIN PLATE
 HOUSING: THERMO PLASTIC(UL94V-0)
 SHELL: COPPER ALLOY
 UNDER ALL SURFACE NICKEL
 TOP ALL SURFACE TIN
 2 COPLANARITY 0.1 MAX
 (IN 8 TIPS OF CONTACTS AND 4 PEGS OF SHELL)
 3 GENERAL TOL.: ±0.3; ±5°

POS	DESCRIPTION	PART NO
8	TYPE II SMT RECEPTACLE WITH CAP	1-1971885-2
8	TYPE I SMT RECEPTACLE WITH CAP	1-1971885-1
8	TYPE II SMT RECEPTACLE	1971885-2
8	TYPE I SMT RECEPTACLE	1971885-1

THIS DRAWING IS A CONTROLLED DOCUMENT.		DWN 03MAR2013 HOWELL WANG	 TE Connectivity				
DIMENSIONS: mm		CHK 03MAR2013 DAVID WANG					
TOLERANCES UNLESS OTHERWISE SPECIFIED:		APVD 03MAR2013 PETER YIN	NAME SMT VERTICAL MINI I/O RECEPTACLE 1.27mm PITCH				
0 PLC ±- 1 PLC ±- 2 PLC ±- 3 PLC ±- 4 PLC ±- ANGLES ±- FINISH -		PRODUCT SPEC 108-106087	SIZE A3	CAGE CODE -	DRAWING NO C-1971885	RESTRICTED TO -	
MATERIAL -		WEIGHT -	CUSTOMER DRAWING		SCALE 4:1	SHEET 1 OF 3	REV A3

4

3

2

1

THIS DRAWING IS UNPUBLISHED.

RELEASED FOR PUBLICATION

© COPYRIGHT -

BY -

ALL RIGHTS RESERVED.

LOC -

DIST -

REVISIONS

P	LTR	DESCRIPTION	DATE	DWN	APVD
-	-	SEE SHEET 1	-	-	-

295±3

144±2

182±3

257±2

25 PITCHX9=225

19.5 PITCHX6=117

SEE DETAIL A

14

16.2

13.4

8.4

DETAIL A

7.52

8.1

9.0

SECTION B-B

NOTE:
4 PACKAGE:
70PCS PER TRAY FOR 1971885-1 & 1971885-2

THIS DRAWING IS A CONTROLLED DOCUMENT.

DIMENSIONS:		TOLERANCES UNLESS OTHERWISE SPECIFIED:	
mm			
	0 PLC	±-	
	1 PLC	±-	
	2 PLC	±-	
	3 PLC	±-	
	4 PLC	±-	
	ANGLES	±-	
MATERIAL		FINISH	

DWN	SEE SHEET 1
CHK	SEE SHEET 1
APVD	SEE SHEET 1
PRODUCT SPEC	SEE SHEET 1
APPLICATION SPEC	-
WEIGHT	-
CUSTOMER DRAWING	

PACKAGE AS SHOWN	1971885-2 1971885-1
DESCRIPTION	PART NO

TE Connectivity			
NAME SMT VERTICAL MINI I/O RECEPTACLE 1.27mm PITCH			
SIZE	CAGE CODE	DRAWING NO	RESTRICTED TO
A3	-	©-1971885	-
SCALE		SHEET	REV
4:1		2 OF 3	A3

1470-19 (3/11)

4

3

2

1

THIS DRAWING IS UNPUBLISHED.

RELEASED FOR PUBLICATION

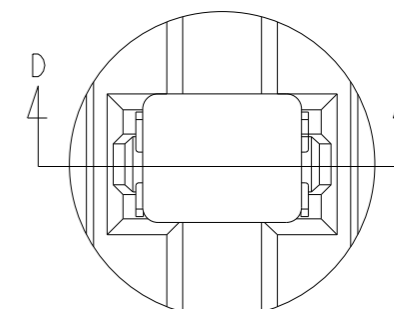
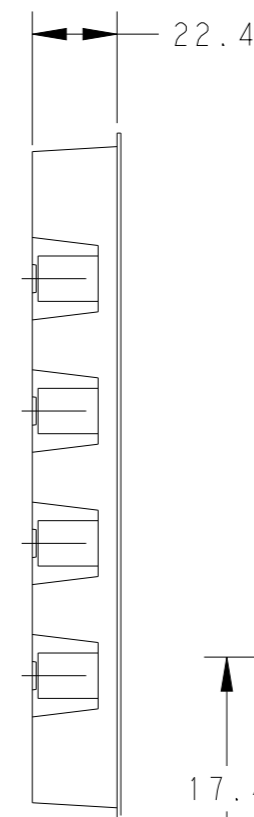
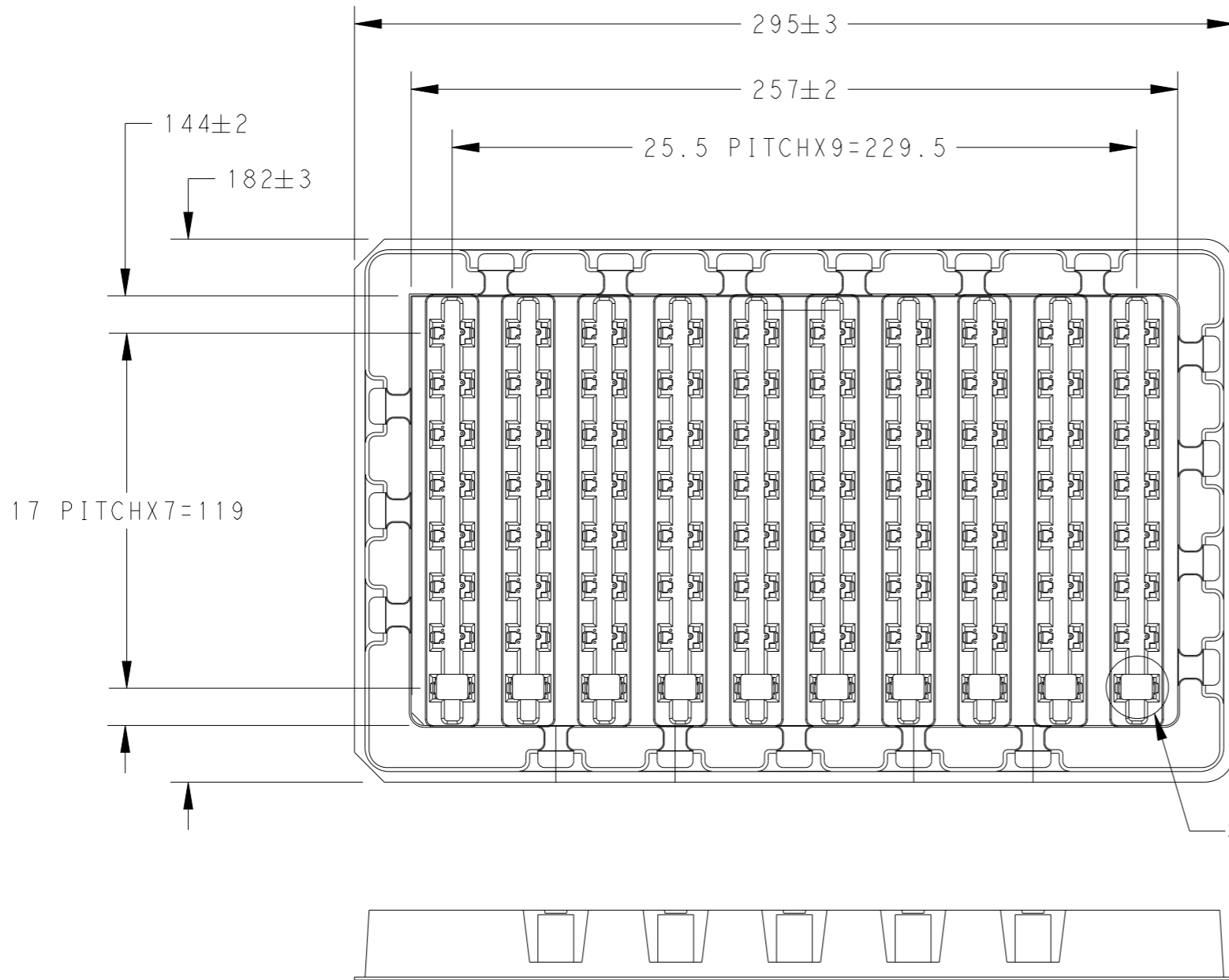
© COPYRIGHT - BY -

ALL RIGHTS RESERVED.

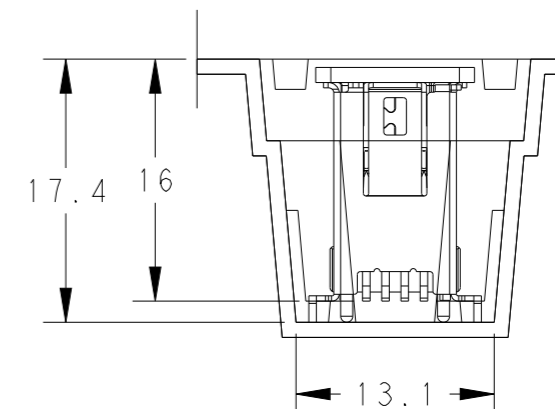
LOC - DIST -

REVISIONS

P	LTR	DESCRIPTION	DATE	DWN	APVD
-	-	SEE SHEET 1	-	-	-



DETAIL C



SECTION D-D

PACKAGE AS SHOWN	1-1971885-2 1-1971885-1
DESCRIPTION	PART NO

NOTE:
5 PACKAGE:
80PCS PER TRAY FOR 1-1971885-1 & 1-1971885-2

THIS DRAWING IS A CONTROLLED DOCUMENT.

DIMENSIONS:	TOLERANCES UNLESS OTHERWISE SPECIFIED:
mm	
	0 PLC ± -
	1 PLC ± -
	2 PLC ± -
	3 PLC ± -
	4 PLC ± -
	ANGLES ± -
MATERIAL -	FINISH -

DWN	SEE SHEET 1
CHK	SEE SHEET 1
APVD	SEE SHEET 1
PRODUCT SPEC	SEE SHEET 1
APPLICATION SPEC	-
WEIGHT	-

STE TE Connectivity

NAME
SMT VERTICAL MINI I/O RECEPTACLE
1.27mm PITCH

SIZE	CAGE CODE	DRAWING NO	RESTRICTED TO
A3	-	1971885	-

CUSTOMER DRAWING SCALE - SHEET 3 OF 3 REV A3