

MATERIAL NO.	ENGINEERING NO.	FINISHED LENGTH
1300250513	DNDF99A-M010	1 M (3 FT 3.37 IN )
1300250333	DNDF99A-M030	3 M (9 FT 10.11 IN )
1300250515	DNDF99A-M050	5 M (16 FT 4.85 IN )

**CABLE LENGTH TOLERANCES**

<.3M [1FT]: +19mm-0 [ +.75in-0]

.3 - .9M [1 - 3FT]: +44.5mm-0 [+1.75in-0]

.9 - 1.8M [3 - 6FT]: +55.6mm-0 [+2.19in-0]

1.8 - 3.7M [6 - 12FT]: +88.9mm-0 [+3.50in-0]

3.7 - 7.3M [12 - 24FT]: +165.1mm-0 [+6.50in-0]

7.3-14.6M [24 - 48FT]: +317.5mm-0 [+12.50in-0]

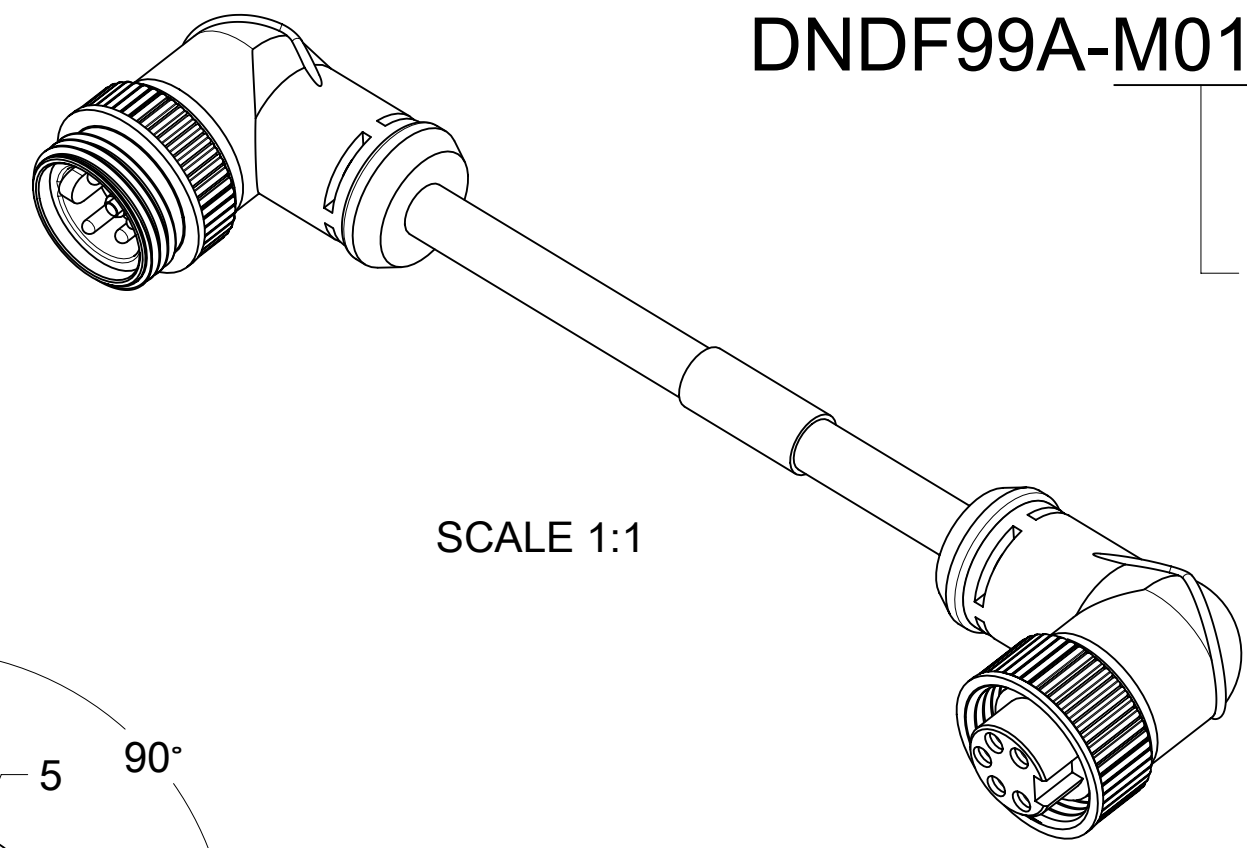
14.6 - 30.5M [48-100FT]: +622.3mm-0 [+24.50in-0]

OVER 30M [100FT] +2% OF FINISHED LENGTH

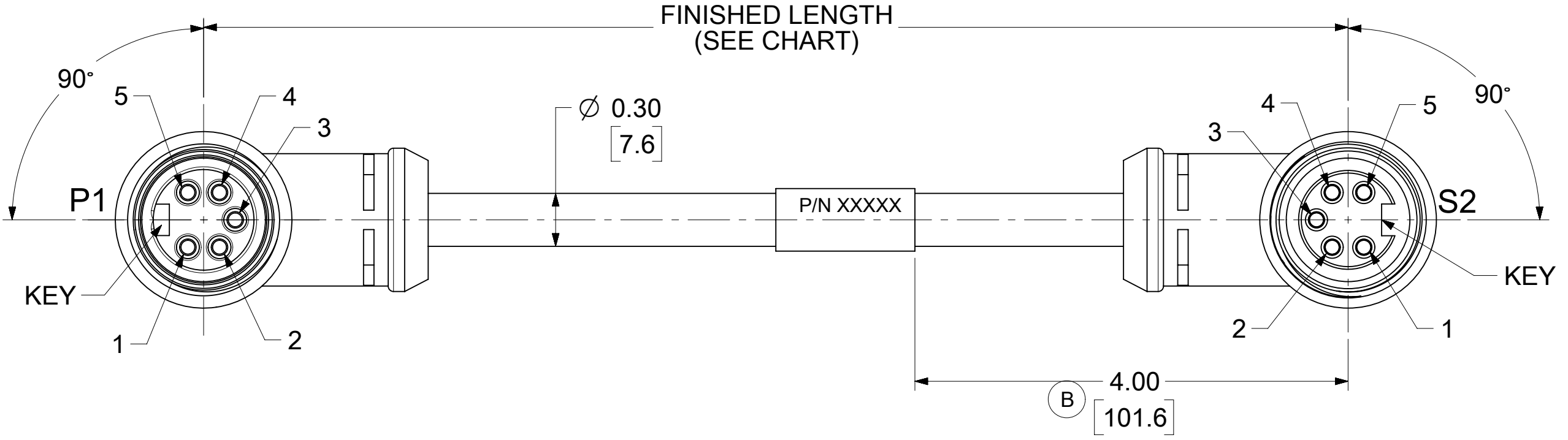
**PART NUMBER LEGEND**

**DNDF99A-M010**

FINISHED LENGTH  
M005= 0.5 M  
M010= 1 M  
M100= 10M

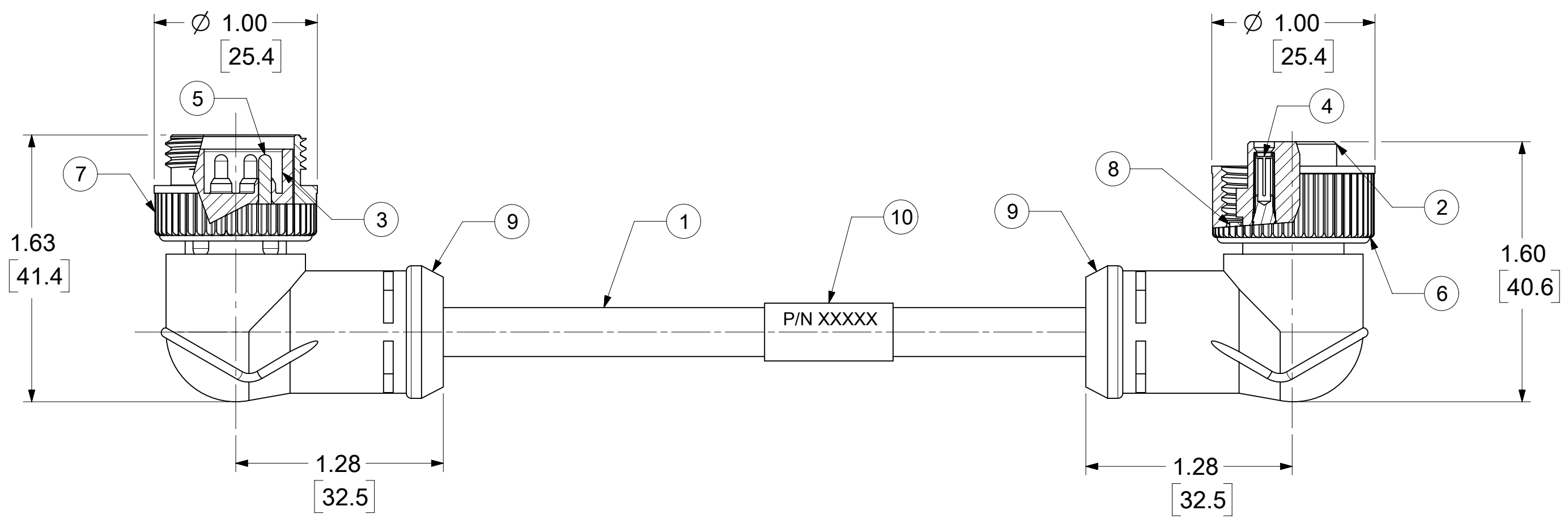


SCALE 1:1



**WIRING DIAGRAM**

P1		S2	
1	DRAIN	1	
2	RED +V	2	
3	BLACK -V	3	
4	WHITE CAN H	4	
5	BLUE CAN L	5	



- NOTES:**
- MATERIAL: AS NOTED
  - FINISH: AS NOTED
  - ELECTRICAL:  
VOLTAGE: 300V PER IEC60664  
300V PER UL2238  
CURRENT RATING: 4A
  - TEMP RATING: -20° TO +80°C
  - PROTECTION: IP67 (WHEN MATED)
  - COUPLING THREAD: 7/8-16UN
  - CSA CERTIFIED FILE: LR6837
  - ALL DIMENSIONS ARE FOR REFERENCE UNLESS TOLERANCED OR NOTED OTHERWISE

ITEM	DESCRIPTION	MATERIAL	FINISH
10	WRAP LABEL	VINYL	BLACK/YELLOW
9	OVERMOLD	TPE	GRAY
8	FRICTION RING	NYLON	WHITE
7	COUPLING NUT MALE	ZINC DIE CAST	BLACK E-COAT
6	COUPLING NUT FEMALE	ZINC DIE CAST	BLACK E-COAT
5	PIN CONTACT 22AWG	Cu ALLOY	GOLD OVER NICKEL
4	CONTACT SOCKET 22AWG	Cu ALLOY	GOLD OVER NICKEL
3	MALE INSERT	TPE	BLACK
2	FEMALE INSERT	TPE	BLACK
1	CABLE, DEV-NET, DROP, FLEX, 4/22	TPE JACKET	GRAY

FUNCTIONAL SYMBOLS		THIS DRAWING CONTAINS INFORMATION THAT IS PROPRIETARY TO MOLEX ELECTRONIC TECHNOLOGIES, LLC AND SHOULD NOT BE USED WITHOUT WRITTEN PERMISSION		CURRENT REV DESC: ITEM #2,3,9 WERE PVC, UPDATED LABEL DIM. MATERIAL P/N TABLE, ADDED CSA, IEC VOLT, TEMP RATING, IP RATING, TOL. CHART & PART NUMBER LEGEND	
DIMENSION UNITS		SCALE		EC NO: 711366	
mm		1.5:1		DRWN: AKABADI 2021/10/13	
GENERAL TOLERANCES (UNLESS SPECIFIED)				CHK'D: RSTONE 2022/06/21	
4 PLACES ±		MM INCH		APPR: BWOODMAN 2022/06/24	
3 PLACES ±				INITIAL REVISION:	
2 PLACES ±				DRWN: RSTONE 2009/07/31	
1 PLACE ±				APPR: JFMURPHY 2009/08/10	
0 PLACES ±				THIRD ANGLE PROJECTION	
ANGULAR TOL ± °				DRAWING SERIES	
DRAFT WHERE APPLICABLE MUST REMAIN WITHIN DIMENSIONS				C-SIZE 130025	
				DOCUMENT NUMBER	
				SD-130025-024	
				DOC TYPE DOC PART REVISION	
				PSD 001 B	
				MATERIAL NUMBER CUSTOMER SHEET NUMBER	
				SEE TABLE GENERAL MARKET 1 OF 1	