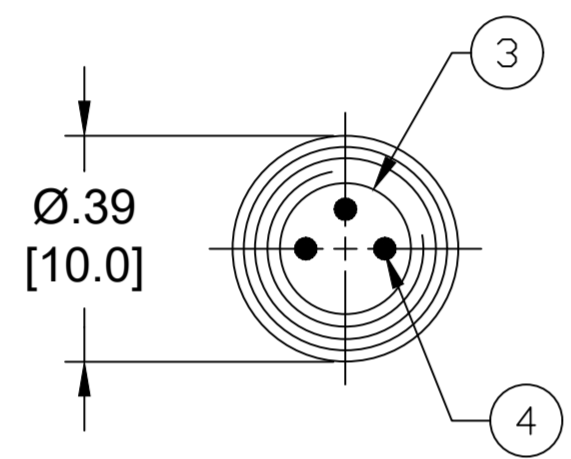


1 BROWN
3 BLUE
4 BLACK

FACE VIEW-MALE INSERT



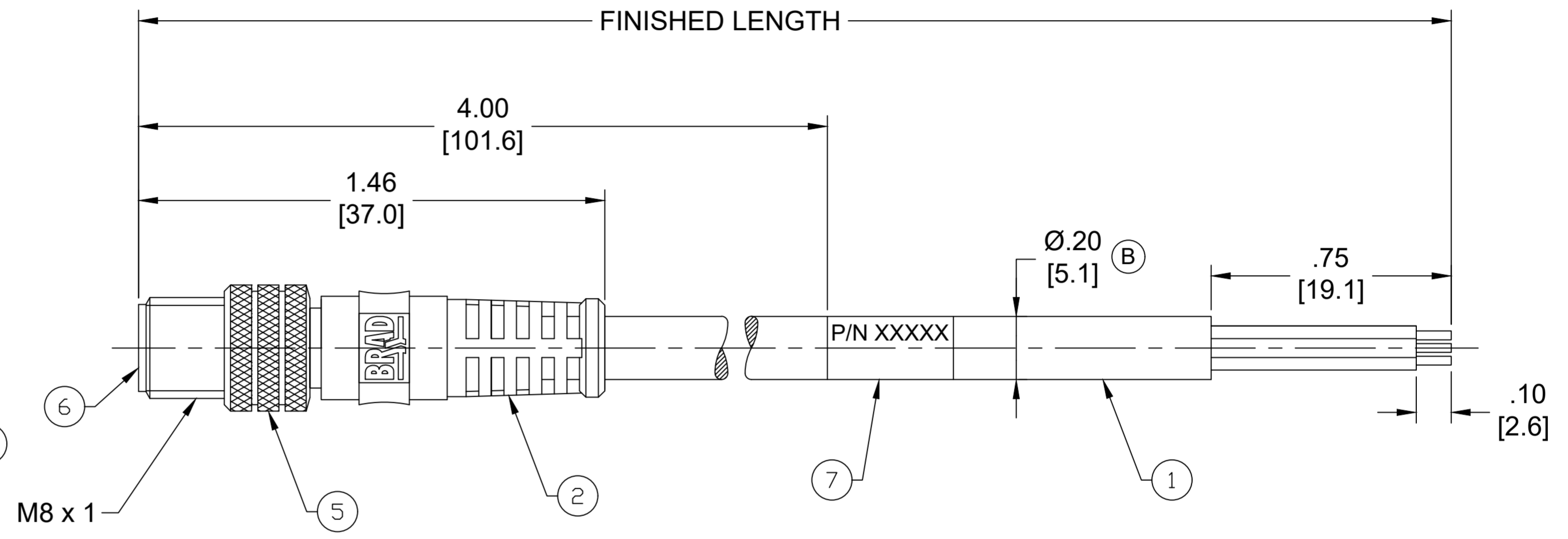
- NOTES:
1. MATERIAL: AS NOTED
 2. FINISH: AS NOTED
 3. ELECTRICAL:
VOLTAGE : 60VAC/75VDC
CURRENT: 4A
 4. TEMP RATING: -20° TO +105°C (B)
 5. PROTECTION: IP67 (WHEN MATED)
 6. ALL DIMENSIONS ARE FOR REFERENCE UNLESS TOLERANCED OR NOTED OTHERWISE

MECHANICAL CHARACTERISTICS:

TORSIONAL FLEX TEST	10 MILLION CYCLES PER MIL-C-13777G
BEND FLEX TEST	10 MILLION CYCLES PER MIL-C-13777G
WELD SLAG RESISTANCE	WOODHEAD STANDARD S-300

ITEM	COMPONENT	MATERIAL	FINISH
7	LABEL	VINYL	BLACK/YELLOW
6	SLEEVE	BRASS	COPPER/NICKEL
5	COUPLER	BRASS	NICKEL PLATED
4	CONTACT	COPPER ALLOY	GOLD OVER NICKEL
3	INSERT	PUR	BLACK
2	OVERMOLD	TPC	YELLOW
1	CABLE #22-3 AWG	TPE	YELLOW

MATERIAL NUMBER	ENGINEERING NUMBER	FINISHED LENGTH
1200868520	403006K05M010	1M [3 FT 3 IN]
1200868521	403006K05M020	2M [6 FT 7 IN]
1200868522	403006K05M050	5M [16 FT 5 IN]
1200868523	403006K05M100	10M [32 FT 10 IN]



PART NO. MATRIX
403006K05M010

LENGTH
M001 = .1 METER
M010 = 1 METER
M100 = 10 METER
PRE-RELEASE
REFERENCE
USE ONLY

(B)

CABLE LENGTH TOLERANCES

<.3M [1FT]:	+19mm-0 [+.75in-0]
.3 - .9M [1 - 3FT]:	+44.5mm-0 [+1.75in-0]
.9 - 1.8M [3 - 6FT]:	+55.6mm-0 [+2.19in-0]
1.8 - 3.7M [6 - 12FT]:	+88.9mm-0 [+3.50in-0]
3.7 - 7.3M [12 - 24FT]:	+165.1mm-0 [+6.50in-0]
7.3-14.6M [24 - 48FT]:	+317.5mm-0 [+12.50in-0]
14.6 - 30.5M [48-100FT]:	+622.3mm-0 [+24.50in-0]
OVER 30M [100FT]	+2% OF FINISHED LENGTH

THIS DRAWING CONTAINS INFORMATION THAT IS PROPRIETARY TO MOLEX ELECTRONIC TECHNOLOGIES, LLC AND SHOULD NOT BE USED WITHOUT WRITTEN PERMISSION

FUNCTIONAL SYMBOLS	DIMENSION UNITS	SCALE	CURRENT REV DESC: ITEM #2 WAS TPE. ITEM #7 WAS MYLAR. ADDED ITEM #6, TOL CHART & CABLE DIA. MODIFIED TEMP RATING & PN CHART. REMOVED UL & CSA.
FA=0	INCH/MM	NTS	
FC=0	GENERAL TOLERANCES (UNLESS SPECIFIED)		
FP=0	mm	INCH	
DIVISIONAL SYMBOLS	4 PLACES	±----	EC NO: 666551
	3 PLACES	±----	DRWN: ABENJAMINLW 2021/04/06
	2 PLACES	±----	CHK'D: RSTONE 2021/06/10
	1 PLACE	±----	APPR: ----
	0 PLACES	±----	INITIAL REVISION:
	ANGULAR TOL ± ---- °		DRWN: GGUSTAFS 2013/10/08
			APPR: BWOODMAN 2013/11/20
	DRAFT WHERE APPLICABLE MUST REMAIN WITHIN DIMENSIONS	THIRD ANGLE PROJECTION	DRAWING C-SIZE
			SERIES 120086
			MATERIAL NUMBER SEE CHART
			CUSTOMER GENERAL MARKET
			SHEET NUMBER 1 OF 1

DOCUMENT NUMBER: SD-120086-038
DOC TYPE/DOC PART/REVISION: PSD 001 B