

THIS DRAWING IS UNPUBLISHED.

RELEASED FOR PUBLICATION

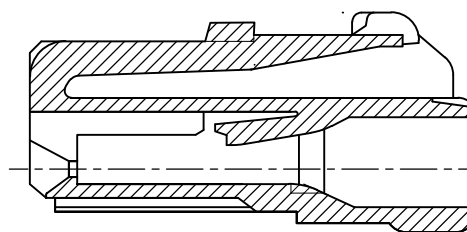
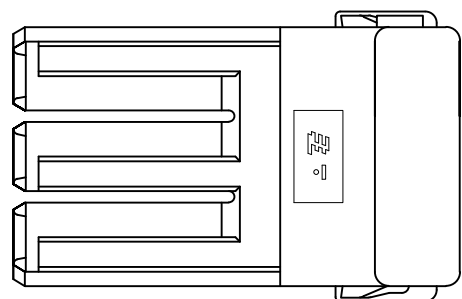
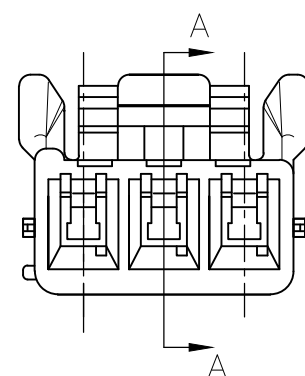
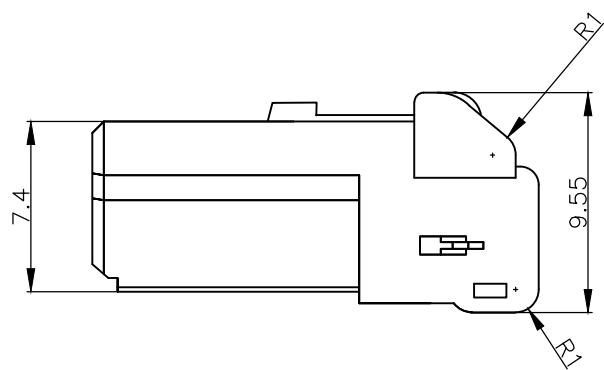
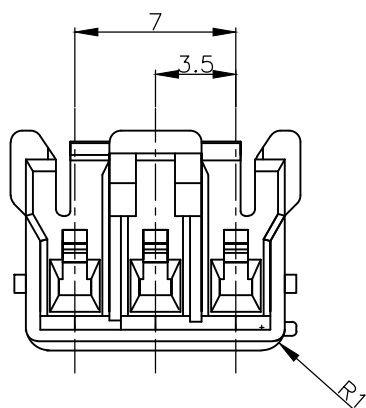
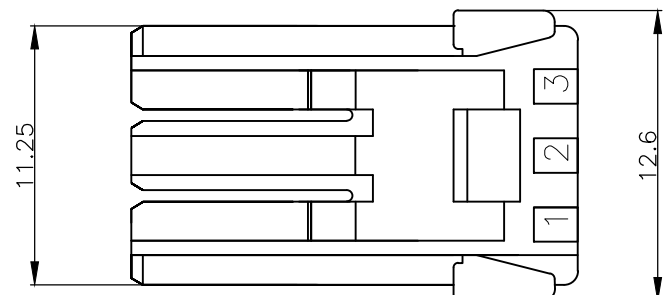
ALL RIGHTS RESERVED.

© COPYRIGHT - By -

REVISIONS

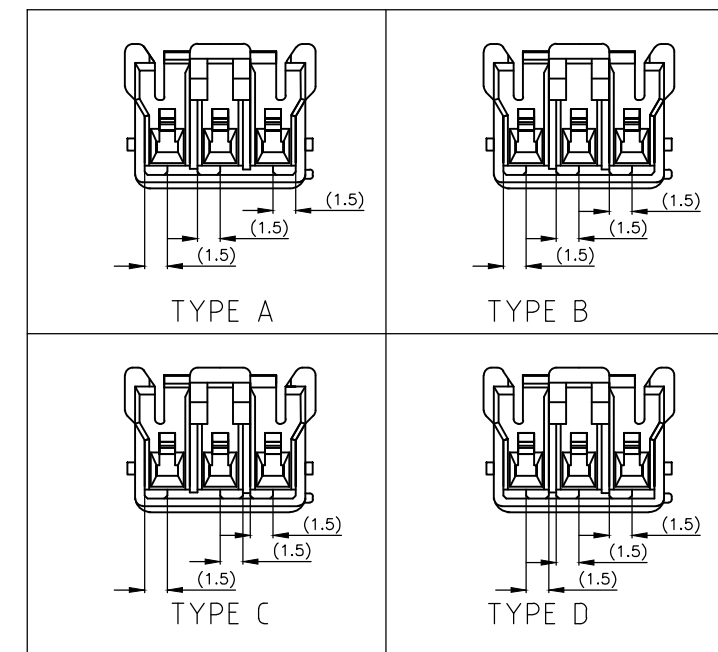
変更

P	LTR	DESCRIPTION	DATE	DWN	APVD
	A2	REVISED PER ECR-20-006615	08MAY2020	SC	D.Z



??A-A  
SECT A-A

KEYING TYPE



1565086-5	A	GREEN	1565082-5
3-1565086-4	D	YELLOW	3-1565082-4
2-1565086-3	C	BLUE	2-1565082-3
1-1565086-2	B	RED	1-1565082-2
1565086-1	A	NATURAL	1565082-1
MATING HSG P/N	KEYING TYPE	COLOR	P/N

注) 1.一般公差:±0.25

△2.材料:66ナイロン ガラス無(UL94V-0)

△3.かん合相手製品型番

キャップハウジング:TABLE参照のこと

リセコンタクト:1565079-1,1612334-1

4. 適応プレート型番:1565090-1

NOTES)

1.GENERAL TOLERANCE:±0.25


△2.MATERIAL:66 NYLON NON-GLASS FILLED (UL94V-0)

△3. MATING CONN. P/N

CAP HOUSING:SEE TABLE

REC CONTACT ;1565079-1,1612334-1

4. APPLICABLE PLATE P/N :1565090-1

THIS DRAWING IS A CONTROLLED DOCUMENT.		DWN A.OISHI 30 MAY. '02	 <b>TE Connectivity</b>	
DIMENSIONS: 単位: 耗 mm		CHK M.SHINDO 30 MAY. '02		
TOLERANCES UNLESS OTHERWISE SPECIFIED. 一般公差		APVD M.SHINDO 30 MAY. '02	NAME 名称 GRACE INERTIA CONNECTOR 3.5 3POS PLUG HOUSING	
0 PLC ± - 1 PLC ± - 2 PLC ± - 3 PLC ± - 4 PLC ± - ANGLES ± -		PRODUCT SPEC 製品規格 108-5810	サイズ CAGE CODE A300779	
MATERIAL 材料 SEE NOTE 2△		FINISH 仕上 -	DRAWING NO 番号 C-1565082	
		APPLICATION SPEC 取付適用規格 114-5306	RESTRICTED TO -	
		WEIGHT	SCALE 尺度 -	
		CUSTOMER DRAWING	SHEET 1 OF 1	
			REV A2	