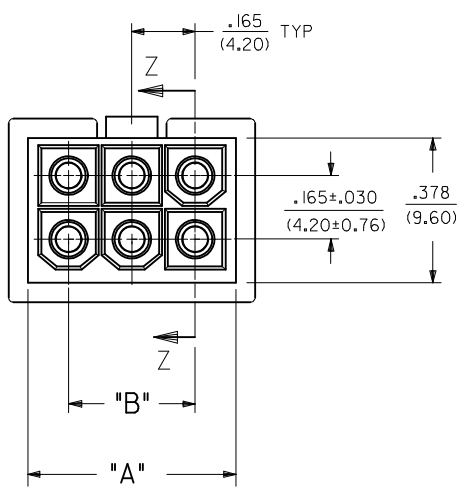
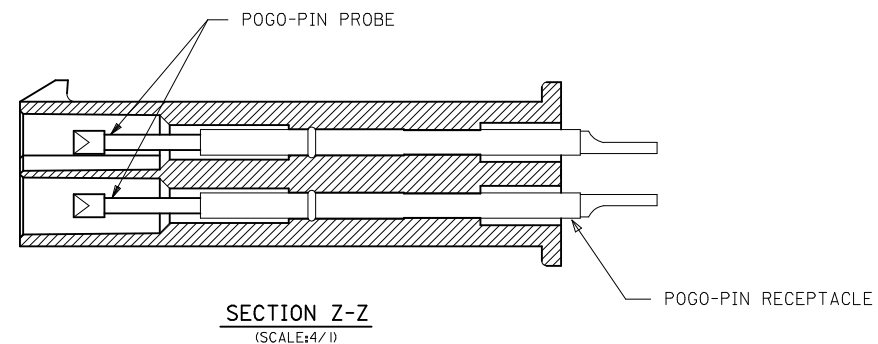
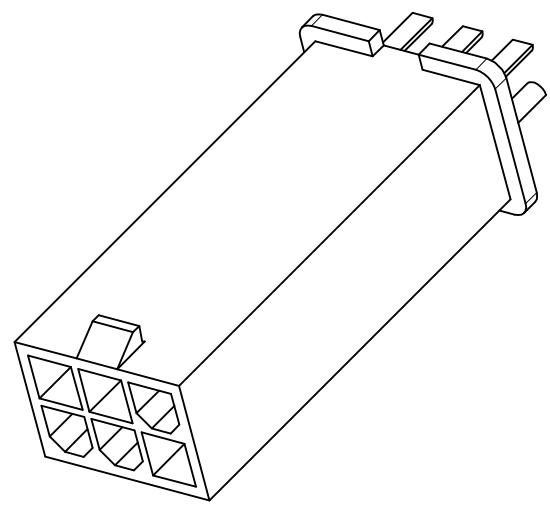
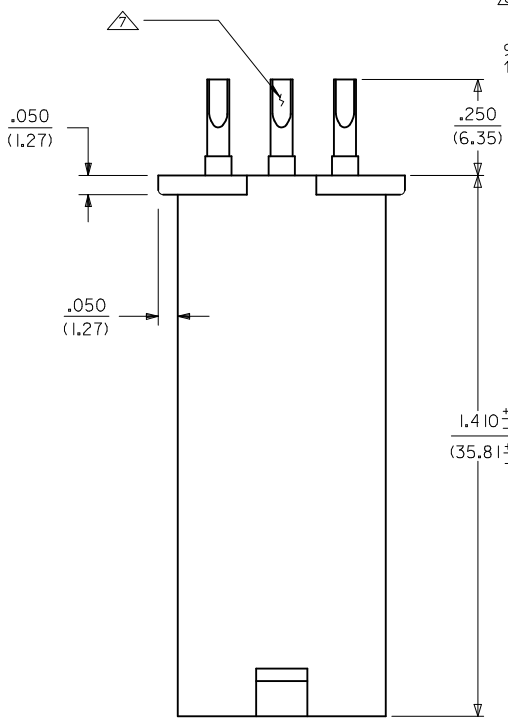
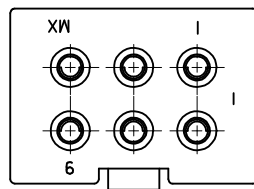


NOTES:

1. MATERIAL:
HOUSING LCP 30% GLASS FILLED, COLOR BLOCK
POGO-PIN PROBE: HEAT TREATED BERYLLIUM COPPER,
POGO-PIN RECEPTACLE: WORK-HARDENED NICKEL SILVER.
2. FINISH:
POGO-PIN PROBE: GOLD PLATED OVER HARD NICKEL,
POGO-PIN RECEPTACLE: GOLD PLATED OVER HARD NICKEL.
3. PRODUCT SPECIFICATION: PS-44281-001.
4. PACKAGING INFORMATION: PK-44281-001.
5. THIS PART MATES WITH RECEPTACLE 5557, 42474, 44516, AND BMI HEADER, 42385.
6. PRODUCT IS INTENDED FOR LOW LEVEL CONTINUITY TESTING, 2.5 AMPS MAX.
- △ SOLDER CUP WILL ACCEPT 22-26 GAUGE WIRE.
- △ THE 10 CIRCUIT TEST PLUG CAN BE USED FOR TESTING A 5 CIRCUIT SINGLE ROW CONNECTOR,
THE 4 CIRCUIT TEST PLUG CAN BE USED FOR TESTING A 2 CIRCUIT DUAL ROW CONNECTOR AND
2 CIRCUIT SINGLE ROW CONNECTOR.
9. CONNECTORS ARE NOT TO BE MATED AND UNMATED WHILE CIRCUITS ARE LIVE.
10. MAXIMUM MATING CYCLES OF TEST PLUG IS 10,000 CYCLES.

MATERIAL NUMBER	CIRCUIT NUMBER	DIM. "A"	DIM. "B"
44281-0001	4 \triangle	.378/(9.60)	.165/(4.20)
44281-0002	6	.543/(13.80)	.331/(8.40)
44281-0003	8	.709/(18.00)	.496/(12.60)
44281-0004	10 \triangle	.874/(22.20)	.661/(16.80)
44281-0005	12	1.039/(26.40)	.827/(21.00)
44281-0006	14	1.205/(30.60)	.992/(25.20)
44281-0007	16	1.370/(34.80)	1.157/(29.40)
44281-0008	18	1.535/(39.00)	1.323/(33.60)
44281-0009	20	1.701/(43.20)	1.488/(37.80)



<p>CORRECT NOTE 1 & OBSOLETE PARTS EC NO: UCP-2016-1587 DRWINGS: 2015/10/13 CHKD: JBELL 2015/10/14 APPR: FSMITH 2015/10/27</p>	QUALITY SYMBOLS ▽=0 ▽=0 ▽=0	GENERAL TOLERANCES (UNLESS SPECIFIED) mm INCH 4 PLACES ± --- ± --- 3 PLACES ± --- ± .010 2 PLACES ± 0.25 ± .014 1 PLACE ± 0.35 ± --- 0 PLACE ± --- ± --- ANGULAR ±1/2°	DIMENSION STYLE IN/MM DRAWN BY DATE A.GUZIK 98/11/02 CHECKED BY DATE EDGLEY 98/11/03 APPROVED BY DATE FSMITH 2015/10/27	SCALE 4:1	DESIGN UNITS METRIC	THIRD ANGLE PROJECTION	
	MINI-FIT 4-20 CIRCUIT TEST PLUG ASSEMBLY molex						
	DRAFT WHERE APPLICABLE MUST REMAIN WITHIN DIMENSIONS				MATERIAL NO. SEE CHART	DOCUMENT NO. SD-44281-001	SHEET NO. 1 OF 1
	THIS DRAWING CONTAINS INFORMATION THAT IS PROPRIETARY TO MOLEX INCORPORATED AND SHOULD NOT BE USED WITHOUT WRITTEN PERMISSION						
	SIZE C						