

General Specifications

Motor Protection:

Auto Restart/Polarity Protection

Insulation Resistance:

10M Ω or over with a DC500V Megger

Dielectric Withstand Voltage: AC 700V 1s

Allowable Ambient Temperature Range:

-10°C ~ +70°C (Operating)

-40°C ~ +70°C (Storage)

(non-condensing environment)

Expected Life

40°C 70,000 Hours (L10)

Material

Casing : Plastic (Black) UL94V-0

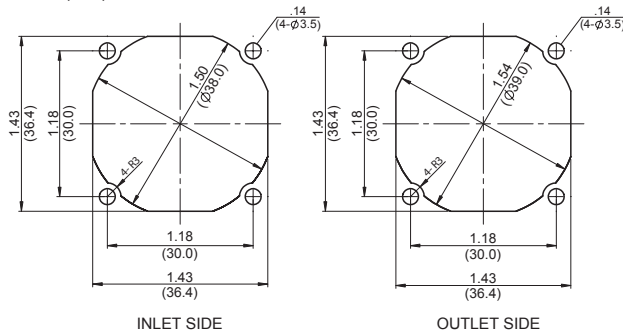
Impeller : Plastic (Black) UL94V-0

Bearing : Ball Bearing

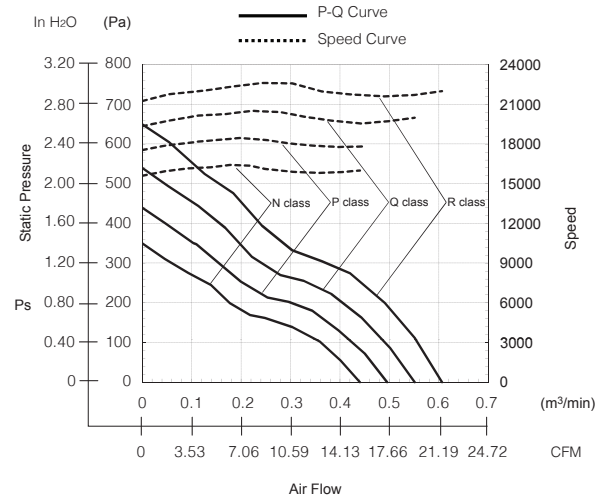
Lead Wire : UL10368, AWG26, +Red, -Black

Panel Cut-Outs

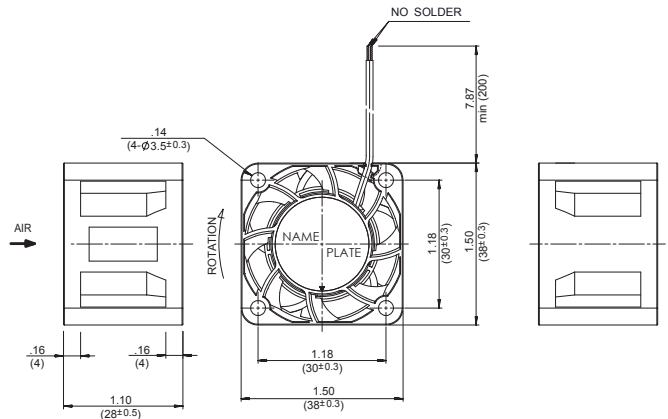
Units: inch (mm)



Characteristic Curves



Outline



Specifications

MODEL	Rated Voltage	Operating Voltage	Current	Input Power	Speed	Max. Air Flow		Max. Static Pressure		Noise	Mass
	(V)	(V)	(A) ^{*1}	(W) ^{*1}	(min ⁻¹) ^{*1}	CFM ^{*1}	(m³/min) ^{*1}	in H ₂ O	(Pa) ^{*1}	(dB) ^{*1}	(g)
03828DA-12N-AA-00	12	7.0 ~ 13.2	0.30	3.60	16000	15.54	0.44	1.41	350	49.0	47
03828DA-12P-AA-00	12	7.0 ~ 13.2	0.37	4.44	18000	17.66	0.50	1.77	440	52.0	47
03828DA-12Q-AA-00	12	7.0 ~ 13.2	0.49	5.88	20000	19.42	0.55	2.17	540	55.0	47
03828DA-12R-AA-00	12	7.0 ~ 13.2	0.63	7.56	22000	21.54	0.61	2.61	650	58.0	47
03828DA-12R-AU-00**	12	7.0 ~ 13.2	0.63	7.56	22000	21.54	0.61	2.61	650	58.0	47

Rotation: Clockwise

Airflow Outlet: Air Out Over Struts

*1: Average Values in Free Air

**Note: PWM/Locked Rotor/Tach Available

Reference PWM Duty Vs. Speed Curve

