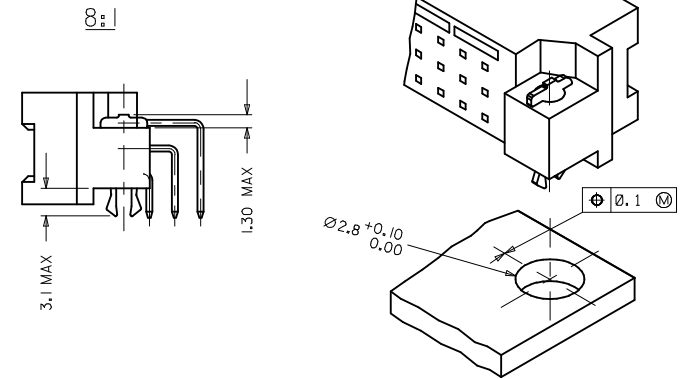


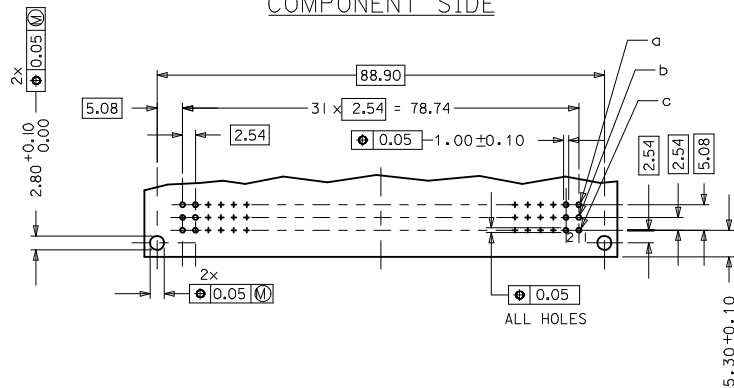
WITH MOUNTING CLIPS



NOTES:

- 1) MATERIAL : THERMOPLASTIC POLYESTER, GLASS FILLED
UL94 V-0, COLOR : PEBBLE GREY RAL 7032
TERMINAL - BRASS
MOUNTING CLIP : STEEL
- 2) FINISH : TERMINAL CONTACT AREA
1) PERFORMANCE LEVEL 3: SELECTIVE GOLD (Au), THICKNESS = 0.3 MICROMETER
OVER NICKEL, THICKNESS = 1.25 MICROMETER
TERMINATION AREA:
SELECTIVE TIN, THICKNESS = 2.5 MICROMETER
OVER NICKEL, THICKNESS = 1.25 MICROMETER OVERALL
- 3) MOUNTING CLIP :
TIN (Sn), THICKNESS = 5-10 MICROMETER
OVER NICKEL (Ni) THICKNESS = 2.5 MICROMETER
- 4) FOR NON MOUNTING CLIP OPTION, CONNECTOR TO BE SECURED WITH
RIVETS : 2 TUBULAR RIVETS 2.5 X 0.3 ... DIN 7340
SCREWS : 2 CHEESEHEAD SCREWS M2.5 X ... DIN 84 AND HEXAGONAL NUTS M2.5 DIN 934
- 5) MATERIAL NUMBER, BATCH CODE, UL AND CSA MARKING TO BE PRINTED ON THE CONNECTOR
- 6) CUT FACE OF TIP WITHOUT PLATING PERMITTED
- 7) PRODUCT SPECIFICATION PS: 36502-001

RECOMMENDED PCB LAYOUT
COMPONENT SIDE

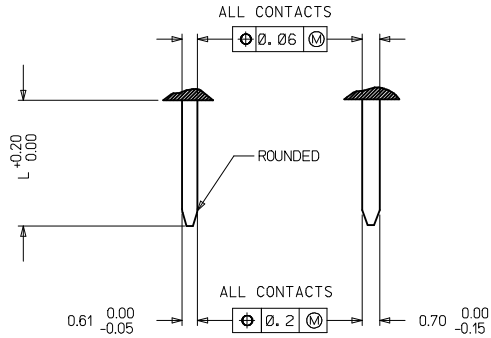


RoHS COMPLIANT

EC NO: I2009-0311 DRW: NPJT 2009/02/02 CHKD: MR HARSH 2009/02/02 APPR: SPANDI 2009/02/03	QUALITY SYMBOLS ▼ 0 ▼ - 0	GENERAL TOLERANCES (UNLESS SPECIFIED)		SCALE 1:1	DESIGN UNITS METRIC	THIRD ANGLE PROJECTION	REVISE ON CAD ONLY
		4 PLACES ± --- ± --- 3 PLACES ± --- ± --- 2 PLACES ± 0.15 ± --- 1 PLACE ± 0.2 ± ---	mm INCH	DIMENSION STYLE MM ONLY	TITLE ASSEMBLY, DIN 41612 C MALE, 96 POS CODING	Molex MOLEX INCORPORATED	MATERIAL NO. 36504-0049
B2	DESCRIPTION DRAFT WHERE APPLICABLE MUST REMAIN WITHIN DIMENSIONS	APPROVED BY DATE DATHA 2004/05/17	CHECKED BY DATE KPRASAD 2004/05/17	DRAWN BY DATE SHIVA 2004/05/17	THIS DRAWING CONTAINS INFORMATION THAT IS PROPRIETARY TO MOLEX INCORPORATED AND SHOULD NOT BE USED WITHOUT WRITTEN PERMISSION		

20	19	18	17	16	15	14	13	12	11	10	9	8	7	6	5	4	3	2	1
MATERIAL NUMBER	PERF LEVEL	PLATING	STD. CONTACT SEQUENCE/ROW	PREMATING CONTACT POS.	MOUNTING CLIP														
36504-0049	3	Au+Ni	a2-31, b1-32, c2-31	a1, a32, c1, c32	YES														

DETAILY DETAILX



PRE MATING CONTACTS	5.4
NORMAL CONTACTS	4.8
	L

RoHS COMPLIANT

EC NO: 12009-0311 DRAWN BY: DRWNPJT 2009/02/02 CHKD BY: HARSR 2009/02/02 APPR: SPANDI 2009/02/03	QUALITY SYMBOLS ▽ 0 ▽ -0	GENERAL TOLERANCES (UNLESS SPECIFIED)		SCALE 1:1	DESIGN UNITS METRIC	THIRD ANGLE PROJECTION	REVISE ON CAD ONLY
		mm	INCH	DIMENSION STYLE MM ONLY		TITLE ASSEMBLY, DIN 41612 C MALE, 96 POS CODING	
B2	DESCRIPTION	4 PLACES ± --- ± ---	DRAWN BY SHIVA	DATE 2004/05/17	MATERIAL NO. 36504-0049		
		3 PLACES ± --- ± ---	CHECKED BY KPRASAD	DATE 2004/05/17	DOCUMENT NO. SD-36504-004		
		2 PLACES ± 0.15 ± ---	APPROVED BY DATHA	DATE 2004/05/17	SHEET NO. 2 OF 2		
		1 PLACE ± 0.2 ± ---	ANGULAR ± 2 °		THIS DRAWING CONTAINS INFORMATION THAT IS PROPRIETARY TO MOLEX INCORPORATED AND SHOULD NOT BE USED WITHOUT WRITTEN PERMISSION		
		DRAFT WHERE APPLICABLE		MUST REMAIN WITHIN DIMENSIONS			