

NOTES:

1. MATERIALS:

HOUSING:

- *BLANK*=NYLON 6/6, UNFILLED UL94 V-2, COLOR: NATURAL
- *130*=GLASS FILLED LCP, UL94 V-0, COLOR: BLACK
IEC 60335-1, 5TH EDITION GLOW WIRE CAPABLE
- *210*=NYLON 6/6, UNFILLED UL94 V-0, COLOR: NATURAL
- *BL*=NYLON 6/6, UNFILLED UL94 V-2, COLOR: BLACK
- *400*=NYLON 6/6, UNFILLED UL94 V-0, COLOR: BLACK

TERMINALS:

BRASS

2. TERMINAL PLATING:

- *BLANK*=.000035/(0.00090) MIN. REFLOWED MATTE TIN OVER .000020/(0.00050) MIN. COPPER (PREPLATE) (FINISH IS BRIGHT IN APPEARANCE, THICKNESS AS APPLIED PRIOR TO REFLOW)
- GS2=.000015/(0.00038) MIN. SELECT GOLD AND .000100/(0.00254) MIN. SELECT MATTE TIN OVER .000050/(0.00127) MIN. NICKEL OVERALL
- GS=.000030/(0.00076) MIN. SELECT GOLD AND .000100/(0.00254) MIN. SELECT MATTE TIN OVER .000050/(0.00127) MIN. NICKEL OVERALL
- S=.000100/(0.00254) MIN. BRIGHT TIN OVER .000050/(0.00127) MIN. NICKEL
- MS=.000100/(0.00254) MIN. MATTE TIN OVER .000050/(0.00127) MIN. NICKEL

3. PRODUCT SPECIFICATION: PS-5556-001

4. PACKAGING: TRAY PACKED PER PK-5556-002

5. PART MATES WITH MINI-FIT JR. RECEPTACLE NO. 5557.

6. PART IS NOT DESIGNED FOR CURRENT SHARING.

7. PARTS ARE NOT TO BE MATED OR UN-MATED WHILE CIRCUITS ARE LIVE.

8. PART CONFORMS TO CLASS "B" REQUIREMENTS OF COSMETIC SPECIFICATION PS-45499-002.

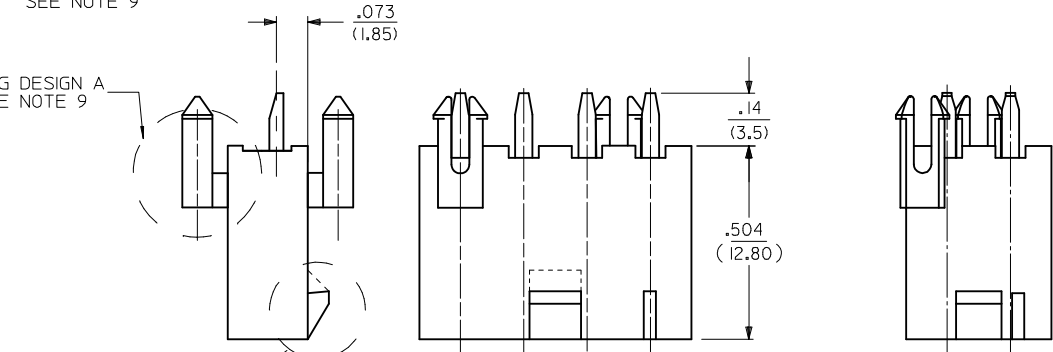
9. 5 CIRCUIT PARTS HAVE PEG DESIGN B. ALL OTHER CIRCUIT SIZES HAVE PEG DESIGN A.



PRESS FIT PEG OPTION

PEG DESIGN B
SEE NOTE 9

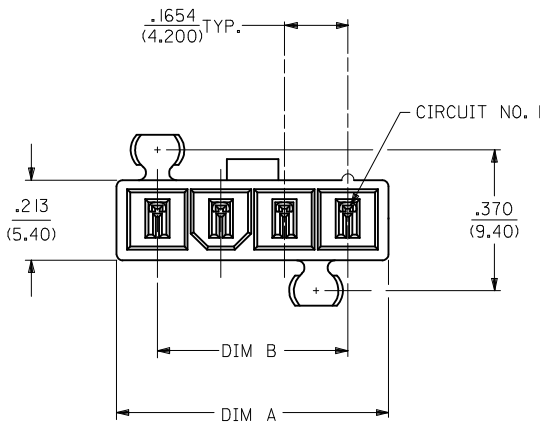
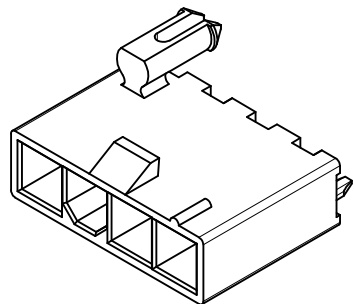
PEG DESIGN A
SEE NOTE 9



LOCK OPTION

POSITIVE LOCK

PASSIVE LOCK

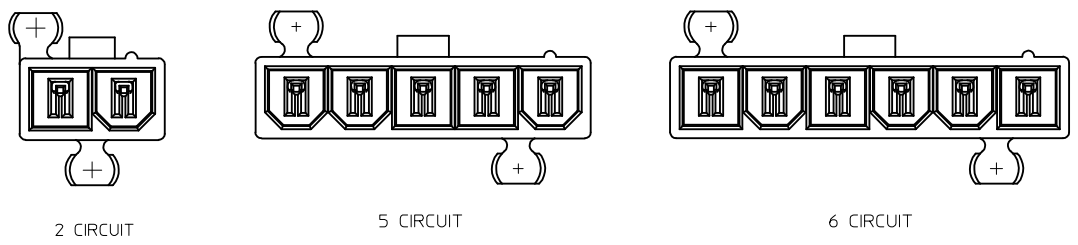


CKT SIZE	DIM A	DIM B
2	.378 (9.60)	.165 (4.20)
4	.709 (18.00)	.496 (12.60)
5	.874 (22.20)	.661 (16.80)
6	1.039 (26.40)	.827 (21.00)
7	1.205 (30.60)	.992 (25.20)
8	1.370 (34.80)	1.157 (29.40)
9	1.535 (39.00)	1.323 (33.60)
10	1.701 (43.20)	1.488 (37.80)
11	1.866 (47.40)	1.654 (42.00)
12	2.031 (51.60)	1.819 (46.20)

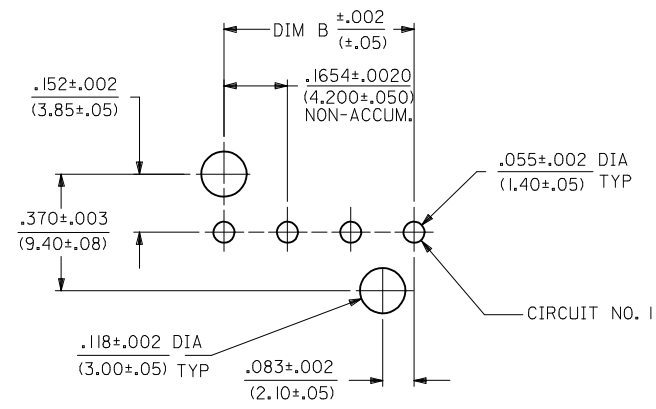
LEGEND:

- 5566 - N A * * * *
- CIRCUIT SIZE (04-12)
- PEG AND LOCK OPTION
3=MTG. PEGS, POSITIVE LOCK
4=MTG. PEGS, PASSIVE LOCK
15=MTG. PRESS FIT PEGS, POSITIVE LOCK
- PLATING (SEE NOTE 2)
- HOUSING MAT'L (SEE NOTE 1)

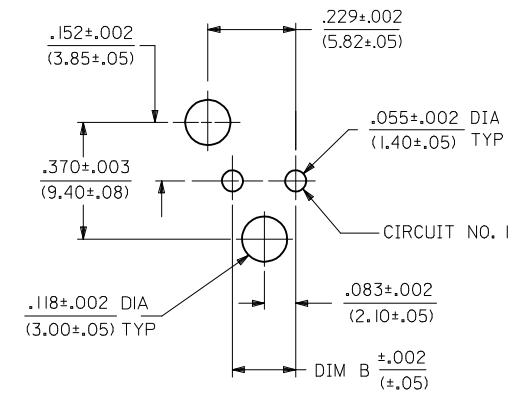
FIX "PEG A" VIEWS IEC NO: UCP2017-2789 DRW: NGUYEN CHKD: JELL APPR: FSMITH 2014/11/14 2014/11/14 2017/06/28	QUALITY SYMBOLS 	GENERAL TOLERANCES (UNLESS SPECIFIED)		DIMENSION STYLE IN/MM		SCALE 4:1	DESIGN UNITS METRIC	THIRD ANGLE PROJECTION		
		4 PLACES	± .010	± .0004	DRAWN BY	DATE	VERTICAL HEADER ASSY WITH PEGS MINI-FIT JR SINGLE ROW SDA-5566-NL* SHEET NO. 1 OF 3			
		3 PLACES	± .015	± .0005	CHECKED BY	DATE				
		2 PLACES	± 0.38	± .020	JTR	1989/02/19				
1 PLACE	± 0.50	± .025	APPROVED BY	DATE						
0 PLACE	± .000	± .000	FSMITH	2012/05/04	MATERIAL NO. SEE CHART		DOCUMENT NO.			
DRAFT WHERE APPLICABLE MUST REMAIN WITHIN DIMENSIONS				ANGLAR ±1/2°		THIS DRAWING CONTAINS INFORMATION THAT IS PROPRIETARY TO MOLEX INCORPORATED AND SHOULD NOT BE USED WITHOUT WRITTEN PERMISSION				



POLARIZATION



RECOMMENDED HOLE LAYOUT FOR
.070/(1.78) MAX. THICK P. C. BOARD
VIEWED FROM COMPONENT SIDE
4-12 CIRCUIT PART



RECOMMENDED HOLE LAYOUT FOR
.070/(1.78) MAX. THICK P. C. BOARD
VIEWED FROM COMPONENT SIDE
2 CIRCUIT PART

SEE SHEET 1 EC NO: UCP2017-2789 DRAWN: NGUYEN 2014/11/14 CHKD: J BELL 2014/11/14 APPR: FSMITH 2017/06/28 REV M7	QUALITY SYMBOLS ▽=0 ▽=0 ▽=0	GENERAL TOLERANCES (UNLESS SPECIFIED) <table border="1"> <thead> <tr> <th></th> <th>mm</th> <th>INCH</th> </tr> </thead> <tbody> <tr> <td>4 PLACES</td> <td>± .01</td> <td>± .0004</td> </tr> <tr> <td>3 PLACES</td> <td>± .015</td> <td>± .0006</td> </tr> <tr> <td>2 PLACES</td> <td>± 0.38</td> <td>± .020</td> </tr> <tr> <td>1 PLACE</td> <td>± 0.50</td> <td>± .020</td> </tr> <tr> <td>0 PLACE</td> <td>± .01</td> <td>± .0004</td> </tr> </tbody> </table>		mm	INCH	4 PLACES	± .01	± .0004	3 PLACES	± .015	± .0006	2 PLACES	± 0.38	± .020	1 PLACE	± 0.50	± .020	0 PLACE	± .01	± .0004	DIMENSION STYLE IN/MM	SCALE 4:1	DESIGN UNITS METRIC	THIRD ANGLE PROJECTION
		mm	INCH																					
	4 PLACES	± .01	± .0004																					
	3 PLACES	± .015	± .0006																					
2 PLACES	± 0.38	± .020																						
1 PLACE	± 0.50	± .020																						
0 PLACE	± .01	± .0004																						
DRAFT WHERE APPLICABLE MUST REMAIN WITHIN DIMENSIONS		ANGULAR ±1/2°	DRAWN BY DATE KSS 1989/02/19	CHECKED BY DATE JTR 1989/02/19	TITLE VERTICAL HEADER ASSY WITH PEGS MINI-FIT JR SINGLE ROW																			
		MATERIAL NO. SEE CHART	APPROVED BY DATE FSMITH 2012/05/04	DOCUMENT NO. SDA-5566-NL*		SHEET NO. 2 OF 3																		
THIS DRAWING CONTAINS INFORMATION THAT IS PROPRIETARY TO MOLEX INCORPORATED AND SHOULD NOT BE USED WITHOUT WRITTEN PERMISSION																								

	13	12	11	10	9	8	7	6	5	4	3	2	1	
J	POSITIVE LOCK WITH MTG. PEGS, 94V-2 HOUSING MATERIAL				POSITIVE LOCK WITH PRESS FIT PEGS, 94V-0 LCP				PASSIVE LOCK WITH MTG. PEGS, 94V-2 HOUSING MATERIAL					
	PART NO	ENG NO	CKT SIZE	PLATING OPTION	PART NO	ENG NO	CKT SIZE	PLATING OPTION	PART NO	ENG NO	CKT SIZE	PLATING OPTION		
	39-30-1049	5566-04A3	4	TIN OVER COPPER	46999-0679	5566-02A15GS-130	2	30 M.I. SELECT GOLD	NO E.D.P.	5566-04A4GS	4	30 M.I. SELECT GOLD		
	39-30-1059	5566-05A3	5	TIN OVER COPPER	46999-0681	5566-04A15GS-130	4	30 M.I. SELECT GOLD	NO E.D.P.	5566-05A4GS	5	30 M.I. SELECT GOLD		

I	POSITIVE LOCK WITH MTG. PEGS, 94V-2 HOUSING MATERIAL			
	PART NO	ENG NO	CKT SIZE	PLATING OPTION
	39-30-2041	5566-04A3GS	4	30 M.I. SELECT GOLD
	39-30-2051	5566-05A3GS	5	30 M.I. SELECT GOLD

I	POSITIVE LOCK WITH MTG. PEGS, 94V-0 HOUSING MATERIAL			
	PART NO	ENG NO	CKT SIZE	PLATING OPTION
	46999-0682	5566-05A15GS-130	5	30 M.I. SELECT GOLD
	46999-0683	5566-06A15GS-130	6	30 M.I. SELECT GOLD

I	PASSIVE LOCK WITH MTG. PEGS, 94V-0 HOUSING MATERIAL			
	PART NO	ENG NO	CKT SIZE	PLATING OPTION
	NO E.D.P.	5566-04A4GS-210	4	30 M.I. SELECT GOLD
	NO E.D.P.	5566-05A4GS-210	5	30 M.I. SELECT GOLD

H	POSITIVE LOCK WITH MTG. PEGS, 94V-2 BLACK HOUSING			
	PART NO	ENG NO	CKT SIZE	PLATING OPTION
	50-29-1528	5566-04A3-BL	4	TIN OVER COPPER
	50-29-1529	5566-05A3-BL	5	TIN OVER COPPER

H	POSITIVE LOCK WITH MTG. PEGS, 94V-0 HOUSING MATERIAL			
	PART NO	ENG NO	CKT SIZE	PLATING OPTION
	26-01-3162	5566-04A3S-BL	4	BRIGHT TIN OVER NICKEL
	26-01-3163	5566-05A3S-BL	5	BRIGHT TIN OVER NICKEL

H	POSITIVE LOCK WITH MTG. PEGS, 94V-0 HOUSING MATERIAL			
	PART NO	ENG NO	CKT SIZE	PLATING OPTION
	39-30-2040	5566-04A3-210	4	TIN OVER COPPER
	39-30-2050	5566-05A3-210	5	TIN OVER COPPER

G	POSITIVE LOCK WITH MTG. PEGS, 94V-2 HOUSING MATERIAL			
	PART NO	ENG NO	CKT SIZE	PLATING OPTION
	46999-0679	5566-02A3GS-210	2	30 M.I. SELECT GOLD
	46999-0682	5566-05A15GS-130	5	30 M.I. SELECT GOLD

G	POSITIVE LOCK WITH MTG. PEGS, 94V-0 HOUSING MATERIAL			
	PART NO	ENG NO	CKT SIZE	PLATING OPTION
	46999-0683	5566-06A15GS-130	6	30 M.I. SELECT GOLD
	46999-0684	5566-02A15MS-130	2	MATTE TIN OVER NICKEL

G	POSITIVE LOCK WITH MTG. PEGS, 94V-0 HOUSING MATERIAL			
	PART NO	ENG NO	CKT SIZE	PLATING OPTION
	46999-0686	5566-04A15MS-130	4	MATTE TIN OVER NICKEL
	46999-0687	5566-05A15MS-130	5	MATTE TIN OVER NICKEL

F	POSITIVE LOCK WITH MTG. PEGS, 94V-0 HOUSING MATERIAL			
	PART NO	ENG NO	CKT SIZE	PLATING OPTION
	50-36-2453	5566-04A3S	4	BRIGHT TIN OVER NICKEL
	50-36-2454	5566-05A3S	5	BRIGHT TIN OVER NICKEL

F	POSITIVE LOCK WITH MTG. PEGS, 94V-0 HOUSING MATERIAL			
	PART NO	ENG NO	CKT SIZE	PLATING OPTION
	46999-0673	5566-02A3MS	2	MATTE TIN OVER NICKEL
	46999-0610	5566-04A3MS	4	MATTE TIN OVER NICKEL

F	POSITIVE LOCK WITH MTG. PEGS, 94V-0 HOUSING MATERIAL			
	PART NO	ENG NO	CKT SIZE	PLATING OPTION
	46999-0611	5566-05A3MS	5	MATTE TIN OVER NICKEL
	46999-0674	5566-06A3MS	6	MATTE TIN OVER NICKEL

E	POSITIVE LOCK WITH MTG. PEGS, 94V-0 BLACK HOUSING			
	PART NO	ENG NO	CKT SIZE	PLATING OPTION
	46999-0675	5566-02A3MS-210	2	MATTE TIN OVER NICKEL
	46999-0627	5566-04A3MS-210	4	MATTE TIN OVER NICKEL

E	POSITIVE LOCK WITH MTG. PEGS, 94V-0 BLACK HOUSING			
	PART NO	ENG NO	CKT SIZE	PLATING OPTION
	46999-0628	5566-05A3MS-210	5	MATTE TIN OVER NICKEL
	46999-0676	5566-06A3MS-210	6	MATTE TIN OVER NICKEL

E	POSITIVE LOCK WITH MTG. PEGS, 94V-0 BLACK HOUSING			
	PART NO	ENG NO	CKT SIZE	PLATING OPTION
	46999-0671	5566-02A3GS-400	2	30 M.I. SELECT GOLD
	46999-0506	5566-04A3GS-400	4	30 M.I. SELECT GOLD

D	POSITIVE LOCK WITH MTG. PEGS, 94V-0 BLACK HOUSING			
	PART NO	ENG NO	CKT SIZE	PLATING OPTION
	46999-0577	5566-04A3MS-400	4	MATTE TIN OVER NICKEL
	46999-0578	5566-05A3MS-400	5	MATTE TIN OVER NICKEL

D	POSITIVE LOCK WITH MTG. PEGS, 94V-0 BLACK HOUSING			
	PART NO	ENG NO	CKT SIZE	PLATING OPTION
	46999-0678	5566-06A3MS-400	6	MATTE TIN OVER NICKEL

D	POSITIVE LOCK WITH MTG. PEGS, 94V-0 BLACK HOUSING			
	PART NO	ENG NO	CKT SIZE	PLATING OPTION
	46999-0672	5566-06A3GS-400	6	30 M.I. SELECT GOLD
	46999-0677	5566-02A3MS-400	2	MATTE TIN OVER NICKEL

B	POSITIVE LOCK WITH MTG. PEGS, 94V-0 BLACK HOUSING				SEE SHEET 1 EC NO: UCP2017-2789 DRAWING NO: 2014/11/14 CHKD: J.BELL 2014/11/14 APPR: F.S.MITH 2017/06/28	QUALITY SYMBOLS 	GENERAL TOLERANCES (UNLESS SPECIFIED)		DIMENSION STYLE IN/MM		SCALE 1:1	DESIGN UNITS METRIC	THIRD ANGLE PROJECTION	
	DRAWN BY KSS		DATE 1989/02/19				TITLE VERTICAL HEADER ASSY WITH PEGS MINI-FIT JR SINGLE ROW							
	CHECKED BY JTR		DATE 1989/02/19				APPROVED BY FSMITH		DATE 2012/05/04		MATERIAL NO. SEE CHART		DOCUMENT NO. SDA-5566-NL*	
	APPROVED BY FSMITH		DATE 2012/05/04				ANGULAR ±1/2°		DRAFT WHERE APPLICABLE MUST REMAIN WITHIN DIMENSIONS		SIZE C		SHEET NO. 3 OF 3	