

GlobTek, Inc.
 www.globtek.com
 186 Veterans Drive,
 Northvale, NJ 07647
 Tel. (201) 784-1000
 Fax (201) 784-0111

Drawing Title: GT-A81051-0507-0.5UW2, ITE Power Supply, Efficiency Level: III, Case Color/Style: GlobTek Black, Wall Plug-in, Regulated Switchmode AC-DC, Input Rating: 100-240V~, 50-60 Hz, N. America NEMA 1-15 Fixed, Output Rating: 5W, 7.5V@0.666A, Output Configuration: 1830 mm, 22/2 Cond, UL 2468, Female Barrel 5.5*2.1*11mm No internal Spring Clip nor Locking Notch or Equal, Ferrite: None, GlobTek Black, GT Cord # C0822, Pin Out: Center Positive (+V), Blades/Input Cord: Fixed Blades North American 1-15P, Approvals:

Model No. GT-A81051-0507-0.5UW2

Part No. WR9HC666LCP-F(R)

Rev A

REVISION HISTORY

REV	DESCRIPTION	SUB	DATE	APPROVED
A	Initial release.	emcna	05/08/2014	QA

In Addition to GlobTek Inc.'s renewed ISO9001:2008 - Quality Management System Certification, GlobTek Inc. is now certified to:

ISO13485:2003 - Medical Devices Quality Management System Certification

ISO14001:2004 - Environmental Management System Certification

ISO Certificates are available On-Line at <http://www.globtek.com/iso-certificates.php>

Customer Approval of Specification:

Please approve, sign and send back to GlobTek so we can complete order processing.

A delay in receipt of this form will delay delivery schedule.

Company Name:

Customer P/N:

Quote Number:

Date:

Authorized Representative Name:

Authorized Representative Signature:

Footnote:

GlobTek Inc. will not be liable for the safety and performance of these power supplies if unauthorized access and repair occurs. End user should consult applicable UL, CSA or EN standards for proper installation instruction.

Limitation of Use:

GlobTek product are not authorized for use as mission critical components in life support hazardous environment, nuclear or aircraft applications without prior written approval from the CEO of GlobTek Inc.

Contents of this document are subject to change without prior notice.

RELEASED

By N.Frost at 8:49 am, May 15, 2014

GT-A81051-0507-0.5UW2, 5W, 7.5V@0.666A, Wall Plug-in, Regulated Switchmode AC-DC

GlobTek, Inc. www.globtek.com 186 Veterans Drive, Northvale, NJ 07647 Tel. (201) 784-1000 Fax (201) 784-0111	Drawing Title: GT-A81051-0507-0.5UW2, ITE Power Supply, Efficiency Level: III, Case Color/Style: GlobTek Black, Wall Plug-in, Regulated Switchmode AC-DC, Input Rating: 100-240V~, 50-60 Hz, N. America NEMA 1-15 Fixed, Output Rating: 5W, 7.5V@0.666A, Output Configuration: 1830 mm, 22/2 Cond, UL 2468, Female Barrel 5.5*2.1*11mm No internal Spring Clip nor Locking Notch or Equal, Ferrite: None, GlobTek Black, GT Cord # C0822, Pin Out: Center Positive (+V), Blades/Input Cord: Fixed Blades North American 1-15P, Approvals:	
	Model No. GT-A81051-0507-0.5UW2	
	Part No. WR9HC666LCP-F(R)	Rev A

POWER SUPPLY INFORMATION

TYPE: Wall Plug-in
TECHNOLOGY: Regulated Switchmode AC-DC
CASE COLOR: GlobTek Black
NAMEPLATE RATED INPUT: 100-240V~, 50-60 Hz, 0.2A Max
INPUT CONFIG: N. America NEMA 1-15 Fixed
WATTS: 5.0
VOLTS OUT: 7.5
CURRENT OUT (Amps): 0.666
BLADE/CORD INCLUDED: FBNA2: Fixed Blades North American 1-15P
BLADE/CORD INSTALLED: FBNA2: Fixed Blades North American 1-15P
EFFICIENCY LEVEL: III
OUTPUT CONFIGURATION: 1830 mm, 22/2 Cond, UL 2468, Female Barrel 5.5*2.1*11mm No internal Spring Clip nor Locking Notch or Equal, Ferrite: None, GlobTek Black, GT Cord # C0822
CONNECTOR PIN OUT: Center Positive (+V)
LABEL SPECS: Standard GT,L-1186
PACK SPEC: Standard WPI, Individually Box

NOTES / DEVIATIONS:

DIMENSIONS ARE IN MM UNLESS SPECIFIED OTHERWISE.

ELECTRICAL SPECIFICATIONS

A) ELECTRICAL SPECIFICATIONS:

01. Input Voltage: 90-264 Vac
02. Input Current: 0.2 A RMS max
03. Input Frequency: 47 - 63 Hz
04. Output Regulation: +/- 8% measured at the output connector no minimum load required
05. Line Voltage Regulation: +/- 2% typical measured at full load
06. Output Ripple (Vp-p): +/-1% or 100 mV whichever is greater, measured at 20 MHz bandwidth with 0.1 uf ceramic capacitor in parallel with 10 uf electrolytic capacitor connected at the end of the output connector at nominal line
07. Turn-ON/OFF Overshoot: 10% maximum, 1 mS typical recovery time for 25% to 50% step load
08. Turn-ON Delay: 2 Sec, maximum @ full load, nominal line
09. Hold-Up Time: 5 mS typical @ nominal input voltage and full load
10. Inrush Current: 40A maximum cold start @ 240Vac input
11. Switching Frequency: Variable depending on load
12. Efficiency: 50 % min.

B) PROTECTION

01. Over-Voltage: Electronically Protected Zener clamp across the output
02. Short Circuit: Electronically Protected unit will auto recover upon removal of fault
03. Input Protection: Input line fusing

C) SAFETY

01. Dielectric Withstand Voltage: 4242Vdc from primary to secondary
02. Touch Current: <0.25mA @ 240Vac input voltage
03. ROHS: Complies with EU 2002/95/EC and China SO/T 11363-2006

D) OTHER:

01. MTBF: 200,000 Hours @ 25°C ambient temperature
02. Operating Temperature: 0°C to 40°C ambient temperature
03. Humidity: 5% to 95 relative humidity
04. Storage Temperature: -20°C to 60°C
05. Cooling: Convection

PROPRIETARY INFORMATION

PROPRIETARY OF GLOBTEK, INC. ANY REPRODUCTION, DISCLOSURE OR USE OF THIS DRAWING, IN WHOLE OR IN PART, IS HEREBY PROHIBITED EXCEPT AS SPECIFIED IN WRITING BY GLOBTEK, INC.

QA/05/15/2014 7:44:10 AM

GlobTek, Inc.
www.globtek.com
186 Veterans Drive,
Northvale, NJ 07647
Tel. (201) 784-1000
Fax (201) 784-0111

Drawing Title: GT-A81051-0507-0.5UW2, ITE Power Supply, Efficiency Level: III, Case Color/Style: GlobTek Black, Wall Plug-in, Regulated Switchmode AC-DC, Input Rating: 100-240V~, 50-60 Hz, N. America NEMA 1-15 Fixed, Output Rating: 5W, 7.5V@0.666A, Output Configuration: 1830 mm, 22/2 Cond, UL 2468, Female Barrel 5.5*2.1*11mm No internal Spring Clip nor Locking Notch or Equal, Ferrite: None, GlobTek Black, GT Cord # C0822, Pin Out: Center Positive (+V), Blades/Input Cord: Fixed Blades North American 1-15P, Approvals:

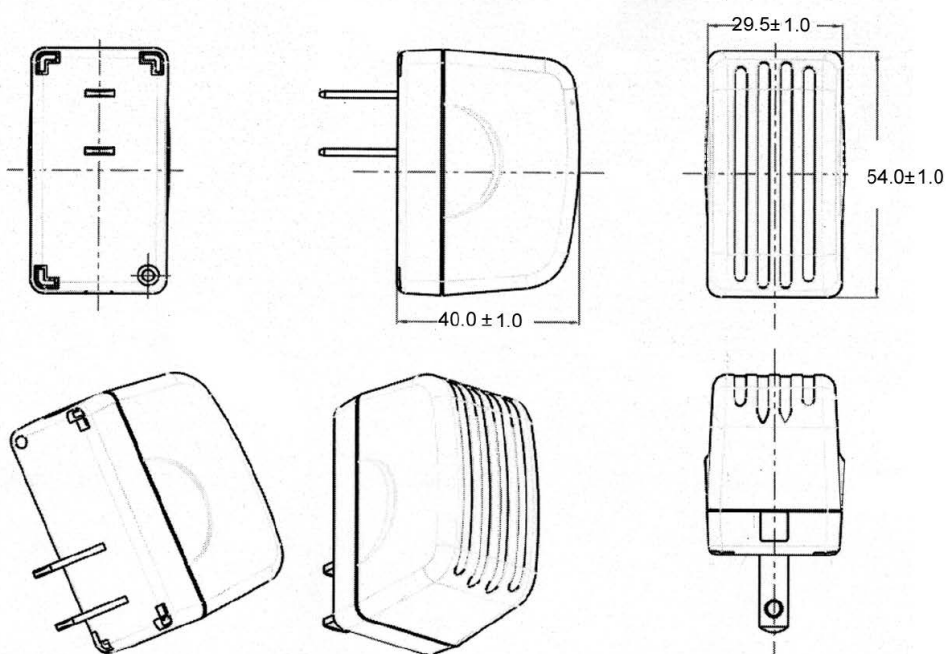
Model No. GT-A81051-0507-0.5UW2

Part No. WR9HC666LCP-F(R)

Rev A

E) ENCLOSURE

- 01. Housing: High impact plastic, 94V0 polycarbonate, non-vented
- 02. Size: 54.0 x 40.0 x 29.5 + 1 mm
- 03. Markings: Label and/or Pad Printed and/or Molded in the case
- 04. Weight: 90 g



GlobTek, Inc.
www.globtek.com
186 Veterans Drive,
Northvale, NJ 07647
Tel. (201) 784-1000
Fax (201) 784-0111

Drawing Title: GT-A81051-0507-0.5UW2, ITE Power Supply, Efficiency Level: III, Case Color/Style: GlobTek Black, Wall Plug-in, Regulated Switchmode AC-DC, Input Rating: 100-240V~, 50-60 Hz, N. America NEMA 1-15 Fixed, Output Rating: 5W, 7.5V@0.666A, Output Configuration: 1830 mm, 22/2 Cond, UL 2468, Female Barrel 5.5*2.1*11mm No internal Spring Clip nor Locking Notch or Equal, Ferrite: None, GlobTek Black, GT Cord # C0822, Pin Out: Center Positive (+V), Blades/Input Cord: Fixed Blades North American 1-15P, Approvals:

Model No. GT-A81051-0507-0.5UW2

Part No. WR9HC666LCP-F(R)

Rev A

INPUT CONFIGURATION

Blades/Cord Included: FBNA2: Fixed Blades North American 1-15P
Blades/Cord Installed: FBNA2: Fixed Blades North American 1-15P

NEMA 1-15P, North America Blades, Class II 2 Conductors

All NEMA 1 devices are two-wire non-grounding devices (hot-neutral) rated for 125 V maximum. NEMA 1-15P plugs have two parallel flat blades, 0.25 inches (6.35 mm) wide, 0.06 inches (1.524 mm) thick, 0.625-0.718 inches (15.875–18.256 mm) long, and spaced 0.5 inches (12.7 mm) apart.

GlobTek, Inc.
 www.globtek.com
 186 Veterans Drive,
 Northvale, NJ 07647
 Tel. (201) 784-1000
 Fax (201) 784-0111

Drawing Title: GT-A81051-0507-0.5UW2, ITE Power Supply, Efficiency Level: III, Case Color/Style: GlobTek Black, Wall Plug-in, Regulated Switchmode AC-DC, Input Rating: 100-240V~, 50-60 Hz, N. America NEMA 1-15 Fixed, Output Rating: 5W, 7.5V@0.666A, Output Configuration: 1830 mm, 22/2 Cond, UL 2468, Female Barrel 5.5*2.1*11mm No internal Spring Clip nor Locking Notch or Equal, Ferrite: None, GlobTek Black, GT Cord # C0822, Pin Out: Center Positive (+V), Blades/Input Cord: Fixed Blades North American 1-15P, Approvals:

Model No. GT-A81051-0507-0.5UW2

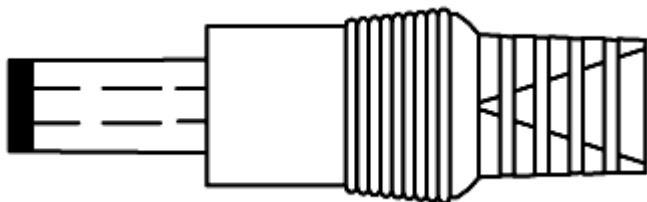
Part No. WR9HC666LCP-F(R)

Rev A

OUTPUT CORD AND CONNECTOR: C1/C0822

ACTUAL CONNECTORS, OVERMOLDS, FERRITES MAY VARY SLIGHTLY FROM THE PICTURE BELOW

CABLE TYPE	UL 2468
CABLE LENGTH (MM)	1830
CABLE TOLERANCE (MM)	+150-0
WIRE GAUGE (AWG)	22
CONDUCTORS	2
HANK DIMENSION (mm)	65 ± 10
CABLE / CONNECTOR OVERMOLD COLOR	GlobTek Black
FERRITE TYPE / DIMENSION	None
FERRITE # OF TURNS	N/A
FERRITE DIMENSION FROM STRAIN RELIEF	N/A
FERRITE DIMENSION FROM PLUG	N/A
PLUG TYPE	Female Barrel 5.5*2.1*11mm No internal Spring Clip nor Locking Notch or Equal
OVER MOLD ORIENTATION	Straight
CONNECTOR PIN OUT:	Center Positive (+V)
ADDITIONAL REQUIREMENTS	



ADDITIONAL OUTPUT PLUG OPTIONS ARE AVAILABLE AT <http://www.globtek.com/connectors.php>
 STANDARD PLUGS AND CONNECTORS CAN BE SEEN ONLINE AT <http://www.globtek.com/connectors.php>

GlobTek, Inc. www.globtek.com 186 Veterans Drive, Northvale, NJ 07647 Tel. (201) 784-1000 Fax (201) 784-0111	Drawing Title: GT-A81051-0507-0.5UW2, ITE Power Supply, Efficiency Level: III, Case Color/Style: GlobTek Black, Wall Plug-in, Regulated Switchmode AC-DC, Input Rating: 100-240V~, 50-60 Hz, N. America NEMA 1-15 Fixed, Output Rating: 5W, 7.5V@0.666A, Output Configuration: 1830 mm, 22/2 Cond, UL 2468, Female Barrel 5.5*2.1*11mm No internal Spring Clip nor Locking Notch or Equal, Ferrite: None, GlobTek Black, GT Cord # C0822, Pin Out: Center Positive (+V), Blades/Input Cord: Fixed Blades North American 1-15P, Approvals:	
	Model No. GT-A81051-0507-0.5UW2	
	Part No. WR9HC666LCP-F(R)	Rev A

LABEL:L-1186

LABEL P/N: Standard GT
 MATERIAL: Flat Thermal Transfer, Imprintable, Polyester Label and/or Pad Printed and/or Molded in the case
 BACKGROUND COLOR:Black
 TEXT COLOR: White or Silver
 LABEL WIDTH (mm): 17.7
 LABEL HEIGHT (mm): 21.2

Below is the minimum information which will appear on the label. NOTE: in the logo area additional/actual positioning of symbols and text is subjected to change as per agency updates/requirements or additional model approvals become available.
 Agency logos may be in Logo area on the label or molded into the case housing outside the label area.
 Information will be shown via Label and/or Pad Printed and/or Molded in the case



A=ITE Power Supply
 B=P/N: (料号) WR9HC666LCP-F(R)
 C=Model : (型号) GT-A81051-0507-0.5UW2
 D=Input : (输入) 100-240V~, 50-60 Hz, 0.2A Max
 E=Output : (输出) 7.5 V --- 0.666 A

AGENCY ONLINE DOCUMENTS [http://www.globtek.info/certs/GT-\(A-R\)81051/](http://www.globtek.info/certs/GT-(A-R)81051/)
 IPXY rating is based on 3rd party testing and customers should check suitability and test system level IPXY rating before ordering.

Logo Approvals

Logo	Description
	Center Positive (+V)

GlobTek, Inc.
www.globtek.com
186 Veterans Drive,
Northvale, NJ 07647
Tel. (201) 784-1000
Fax (201) 784-0111

Drawing Title: GT-A81051-0507-0.5UW2, ITE Power Supply, Efficiency Level: III, Case Color/Style: GlobTek Black, Wall Plug-in, Regulated Switchmode AC-DC, Input Rating: 100-240V~, 50-60 Hz, N. America NEMA 1-15 Fixed, Output Rating: 5W, 7.5V@0.666A, Output Configuration: 1830 mm, 22/2 Cond, UL 2468, Female Barrel 5.5*2.1*11mm No internal Spring Clip nor Locking Notch or Equal, Ferrite: None, GlobTek Black, GT Cord # C0822, Pin Out: Center Positive (+V), Blades/Input Cord: Fixed Blades North American 1-15P, Approvals:

Model No. GT-A81051-0507-0.5UW2

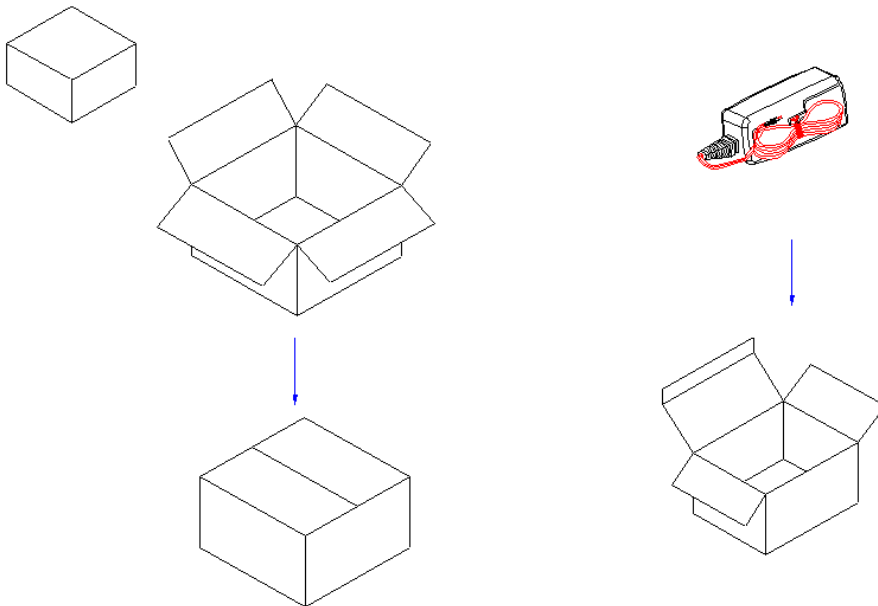
Part No. WR9HC666LCP-F(R)

Rev A

PACKAGING

Packing Spec P/N: Standard WPI, Individually Box
Box Qty: 120.0
Gift Box Size (mm): 74*50*62 ±1
Gift Box Color: White
Master Carton Size (mm): 390*322*283 ±2
Master GW (Kg): 11.0 kg
BLADES INCLUDED: FBNA2: Fixed Blades North American 1-15P
BLADE/CORD INSTALLED: FBNA2: Fixed Blades North American 1-15P

If specific packaging is required, this section must specify all requirements and note "no exceptions". If this section does not specify packaging, it is subject to change without notice at GlobTek's discretion



GlobTek, Inc.
www.globtek.com
186 Veterans Drive,
Northvale, NJ 07647
Tel. (201) 784-1000
Fax (201) 784-0111

Drawing Title: GT-A81051-0507-0.5UW2, ITE Power Supply, Efficiency Level: III, Case Color/Style: GlobTek Black, Wall Plug-in, Regulated Switchmode AC-DC, Input Rating: 100-240V~, 50-60 Hz, N. America NEMA 1-15 Fixed, Output Rating: 5W, 7.5V@0.666A, Output Configuration: 1830 mm, 22/2 Cond, UL 2468, Female Barrel 5.5*2.1*11mm No internal Spring Clip nor Locking Notch or Equal, Ferrite: None, GlobTek Black, GT Cord # C0822, Pin Out: Center Positive (+V), Blades/Input Cord: Fixed Blades North American 1-15P, Approvals:

Model No. GT-A81051-0507-0.5UW2

Part No. WR9HC666LCP-F(R)

Rev A

INSTRUCTION SHEET

N/A