

NO: BC-013 **PRODUCT:** V500-R5 Laser Bar Code Reader
DATE: June 2015 **TYPE:** Discontinuation Notice

V500-R5 Laser Bar Code Readers were Discontinued; Replace with V500-R2CF

V500-R5 laser bar code readers have been discontinued.

Affected Parts



Product discontinuation	Recommended replacement
Model V500-R521B2	No recommended replacement
Model V500-R521C2	Model V500-R2CF

Cautions on Applying Replacements

- It is necessary to change the mounting position because the outside dimensions have been miniaturized.
- No recommended replacement for cable output model V500-R521B2.
- Please select and use the V500-R2CF (connector model).
- The length of the cable has changed from 2m to 1.5m.

Detail of Differences

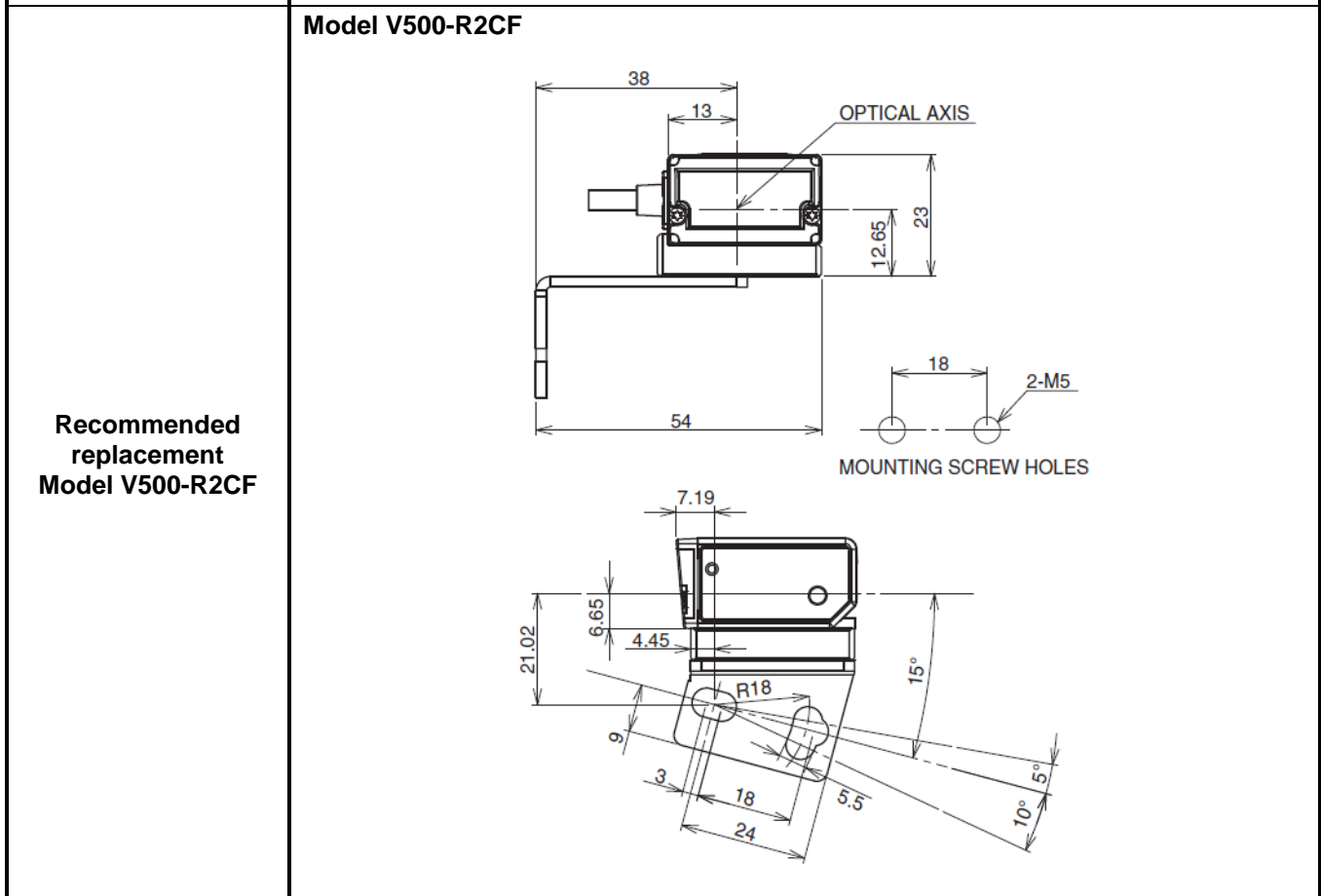
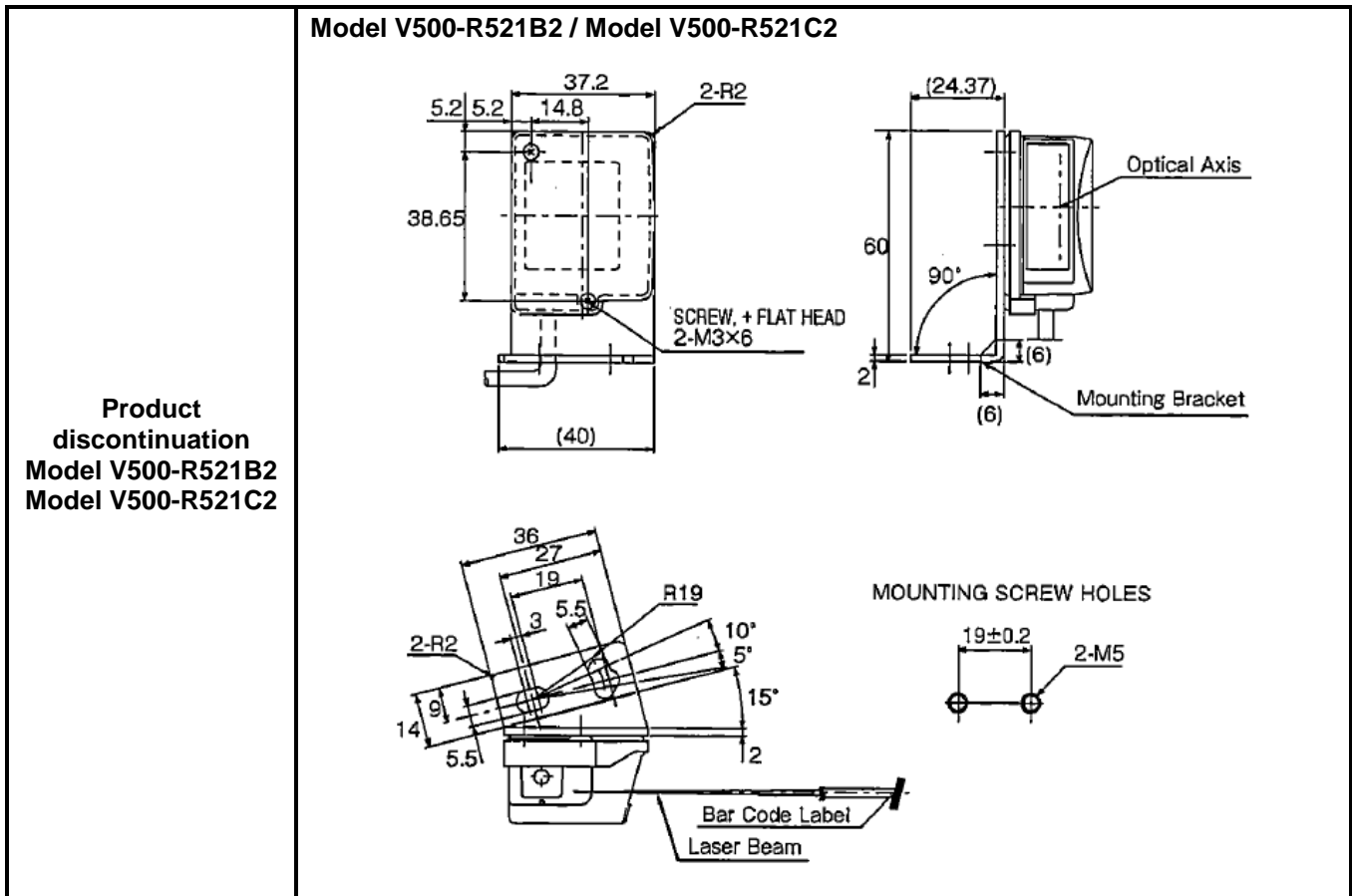
Body Color

Product discontinuation Model V500-R521B2 Model V500-R521C2	Recommended replacement Model V500-R2CF
	

Wire Connection

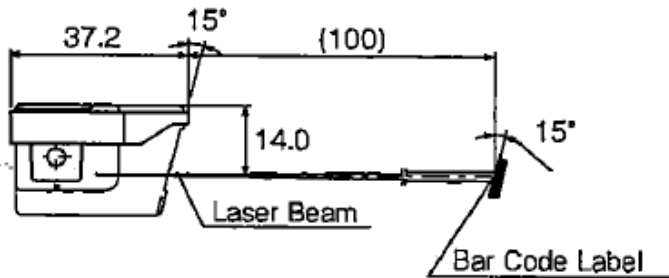
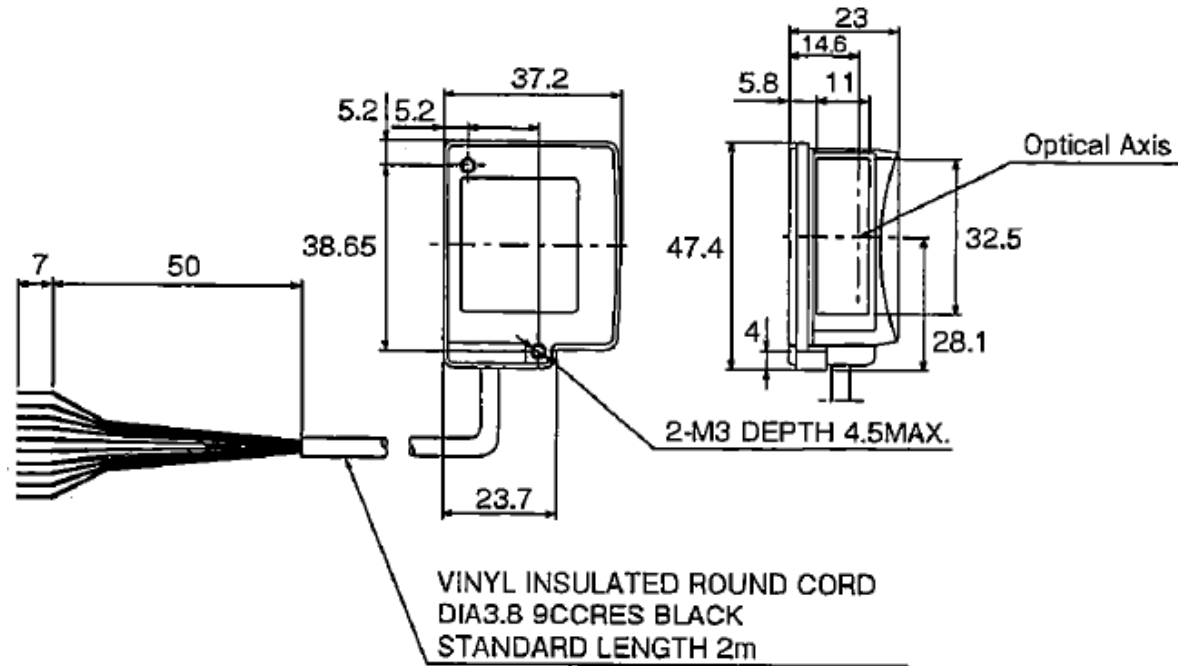
Product discontinuation Model V500-R521B2 Model V500-R521C2				Recommended replacement Model V500-R2CF			
Model V500-R521C2 Pin No.3 is Blue Pin No.4 is Gray				Model V500-R2CF Pin No.3 is Gray. Pin No.4 is Blue.			
Wire color	Pin No.	Signal name	Function	Wire color	Pin No.	Signal name	Function
Green	1	SD	Transmission data	Green	1	SD	Transmission data
White	2	RD	Received data	White	2	RD	Received data
Blue	3	RS	Transmission request	Gray	3	RS	Transmission request
Gray	4	CS	Transmission allowed	Blue	4	CS	Transmission allowed
Brown	5	TRIG	External trigger signal	Brown	5	TRIG	External trigger signal
—	6	NC	Not connected	—	6	NC	Not connected
Black	7	S.GND	0V	Black	7	S.GND	0V
Red	8	VCC	Power supply	Red	8	VCC	Power supply
				Yellow	—	OK	Read OK output
				Orange	—	NG	Read NG output
OK/NG Signal is not connected. Necessary to cable shaping when use them.				OK/NG Signal is not connected. Necessary to cable shaping when use them.			
Model V500-R521B2							
Wire color	Signal name	Function					
Green	SD	Transmission data					
White	RD	Received data					
Gray	RS	Transmission request					
Blue	CS	Transmission allowed					
Brown	TRIG	External trigger signal					
—	NC	Not connected					
Black	S.GND	0V					
Red	VCC	Power supply					
Yellow	OK	Read OK output					
Orange	NG	Read NG output					

Mounting Dimensions

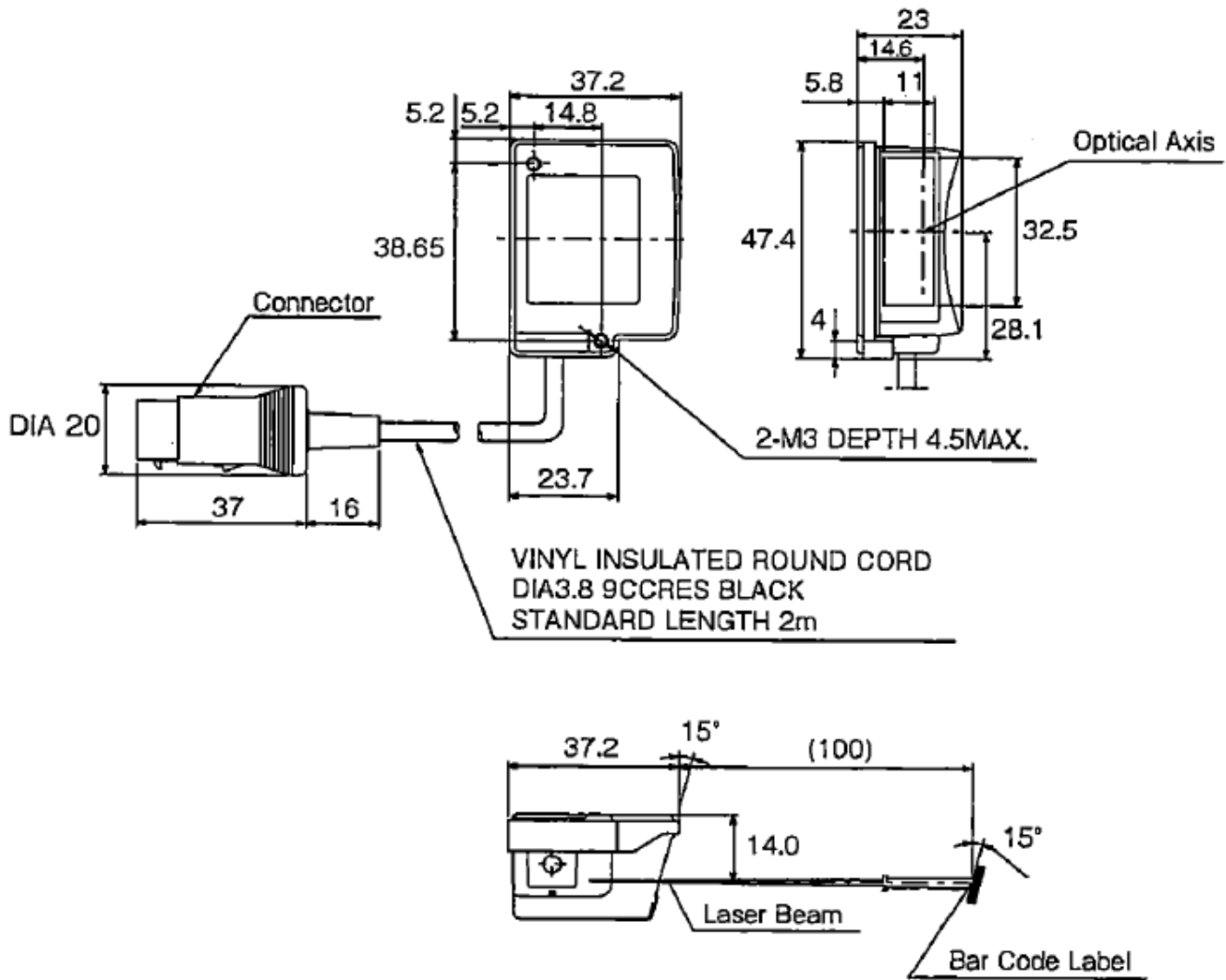


Dimensions

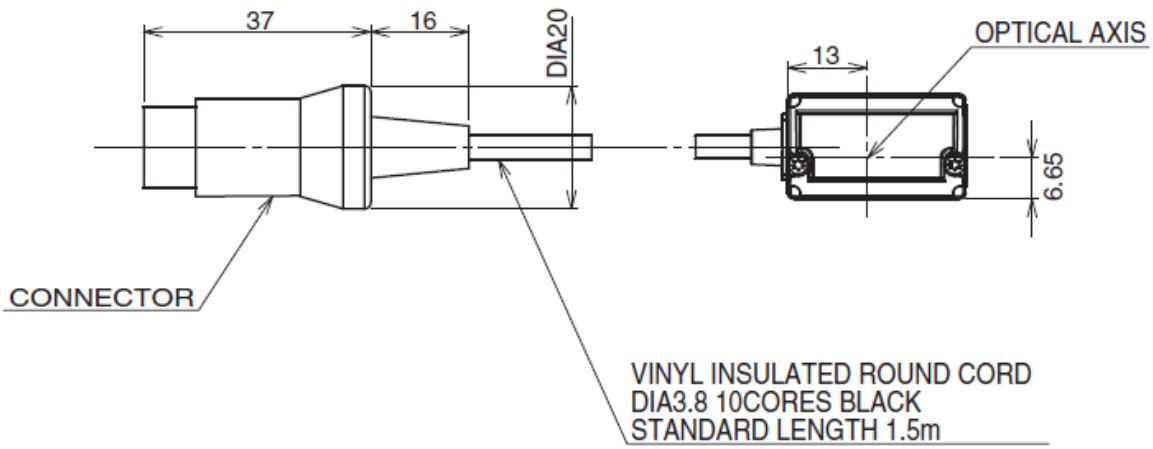
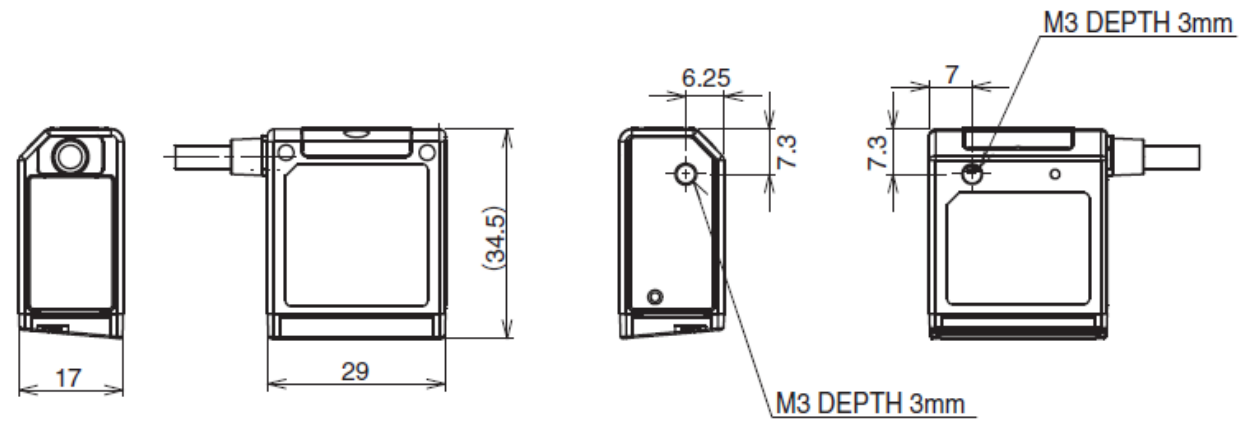
Product discontinuation
Model V500-R521B2



Product discontinuation
Model V500-R521C2



Recommended replacement
Model V500-R2CF



Characteristics

Item		Product discontinuation Model V500-R521B2 Model V500-R521C2	Recommended replacement Model V500-R2CF
Applicable codes	Bar code	JAN/EAN/UPC (A, E), CODE39 NW-7 ITF STF (2 of 5bar) CODE93 CODE128 (EAN-128)	WPC (JAN/EAN/UPC) Codabar (NW-7) ITF Industrial 2of5 (STF) Code39 Code93 Code128 GS1-128 (EAN-128) GS1-Databar (RSS-14) GS1-Databar Limited (RSS Limited) GS1-Databar Expanded (RSS Expanded)
	Number of reading digit	32 digit max. (depend on bar width and size)	No upper limit (depend on bar width and reading distance)
Reading performance	Light source	Red Laser Diode (Wave Length:650nm), 1.0mW or less	
	Minimum resolution	0.15mm	
	Working distance (WD)	60~270mm (Narrow bar : 1.0mm)	60~270mm (Narrow bar : 1.0mm)
	Reading area	40° (Including the margin of the both side)	
	Skew angle (α)	$\pm 50^\circ$ (except for upper 10° and lower 5°)	$\pm 60^\circ$ (except for upper 10° and lower 8°)
	Pitch angle (β)	$\pm 25^\circ$	$\pm 30^\circ$
	Scan type	Raster scan	
	Reading of bar codes on curved surface(R)	R \geq 15mm (JAN8) R \geq 20mm (JAN13)	R \geq 20mm(UPC 12 digit)
	Frequency of scan	500 scan/sec.	1000 scan/sec.
Interface	Communication specification	RS-232C	
	OK/NG outputs	NPN open collector output (Model V500-R521B2 only)	NPN open collector output (Necessary to cable shaping)
Function setting method		Menu sheet reading method or host command method	
Functional specification	Reading trigger	External trigger (Transistor input) Trigger by command (RS-232C)	
		Trigger a test reading by pressing the TEST button on the product	Trigger a test reading by pressing the SCAN button on the product
	OK/NG signals	OK signal is turned on to indicate a successful read NG signal is turned on to indicate a failed read	OK signal is turned on to indicate a successful read NG signal is turned on to indicate a successful a no-registered label
	Indication LED	OK LED (green) illuminates to indicate a successful read NG LED (red) illuminates for failed reading with an error message output	OK LED (green) illuminates to indicate a successful read
Buzzer		Notifies a successful reading with a buzzer sound (Muting available)	

Item		Product discontinuation Model V500-R521B2 Model V500-R521C2	Recommended replacement Model V500-R2CF
Power supply specifications	Power voltage	DC4.5 to 5.5V	
	Consumption current	During operation : 330mA or less During standby : 150mA or less	During operation : 500mA or less During standby : 150mA or less
Environmental specifications	Ambient temperature	At operation: 0 ~ +45°C At storage: -10 ~ +60°C	
	Ambient atmosphere	At operation and storage: 30 to 85%RH (with no icing or condensation)	At operation and storage: 20 to 85%RH (with no icing or condensation)
	Ambient humidity	No corrosive gas	
	Ambient light resistance	3,000 lx (fluorescent lamp), 50,000 lx (sunlight)	4,000 lx (fluorescent lamp), 80,000 lx (sunlight)
	Vibration Resistance (destructive)	12 to 100 Hz, 19.6m/s ² (2G), X/Y/Z directions 8 minutes each, 10 times	10 to 150 Hz, single amplitude:0.35mm, X/Y/Z directions 8 minutes each,10 times
Degree of protection		IP54(IEC60529 standard)	
Weight		Approximately 80g (except for Cable, Mounting bracket, Insulation board and screw)	
Main body dimension		Approximately 47.4 × 37.2 × 23mm	Approximately 29 × 34.5 × 17mm
Code length		Approximately 2m	Approximately 1.5m
Input connector		Model V500-R521B2 :Wire cable Model V500-R521C2 :Round DIN connector	Round DIN connector
Accessories		Operation manual Menu sheet Mounting bracket Insulating plate Caution label (one) IEC label (one) M3x6 screws (two) M5x10 screws (two)	Operation manual Menu sheet Mounting bracket Insulating plate M3x6 screws (two) M3x8 screws (one) M5x10 screws (two)
Material	Case	Zinc die-cast	Magnesium die-cast PC (front panel)
		PET	PET
	Reading window	PMMA	PMMA
	Cable	PVC	PVC

Specifications and prices in this product news are as of the issue date and are subject to change without notice. Only main changes in specifications are described in this document. Please be sure to read the relevant catalogs, datasheets, product specifications, instructions, and manuals for precautions and necessary information when using products.