



TAI-SAW TECHNOLOGY CO., LTD.

No. 3, Industrial 2nd Rd., Ping-Chen Industrial District,
Taoyuan, 324, Taiwan, R.O.C.

TEL: 886-3-4690038 FAX: 886-3-4697532

E-mail: tstsales@mail.taisaw.com Web: www.taisaw.com

Product Specifications Approval Sheet


Product Description: SAW Filter 915.5 MHz SMD 3.0x3.0 mm (BW=26 MHz)

TST Part No.: TA1456A

Customer Part No.: _____

Customer signature required
Company: _____
Division: _____
Approved by : _____
Date: _____

Checked by: _____ David Chang 張閱智

Approved by: _____ Francis Chen 

Date: _____ 2011/12/22

1. Customer signed back is required before TST can proceed with sample build and receive orders.
2. Orders received without customer signed back will be regarded as agreement on the specifications.
3. Any specifications changes must be approved upon by both parties and a new revision of specifications shall be released to reflect the changes.



TAI-SAW TECHNOLOGY CO., LTD.

No. 3, Industrial 2nd Rd., Ping-Chen Industrial District,
Taoyuan, 324, Taiwan, R.O.C.

TEL: 886-3-4690038 FAX: 886-3-4697532

E-mail: tstsales@mail.taisaw.com Web: www.taisaw.com

SAW Filter 915.5 MHz

MODEL NO.: TA1456A

REV. NO.:1

A. MAXIMUM RATING:

1. Input Power Level: 15 dB_m
2. DC voltage: 5 V
3. Operating Temperature: -30°C to +85°C
4. Storage Temperature: -40°C to +85°C

RoHS Compliant
Lead free
Lead-free soldering

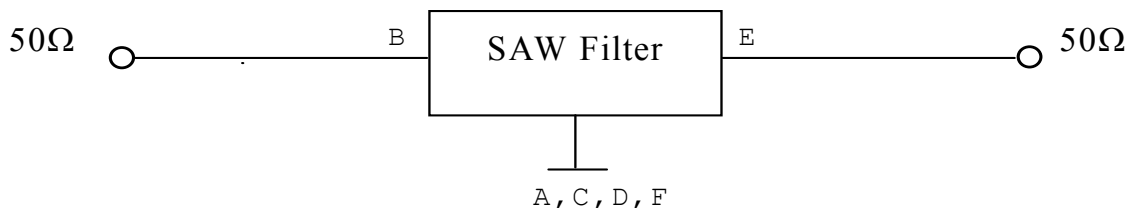
Electrostatic Sensitive Device (ESD)

B. ELECTRICAL CHARACTERISTICS:

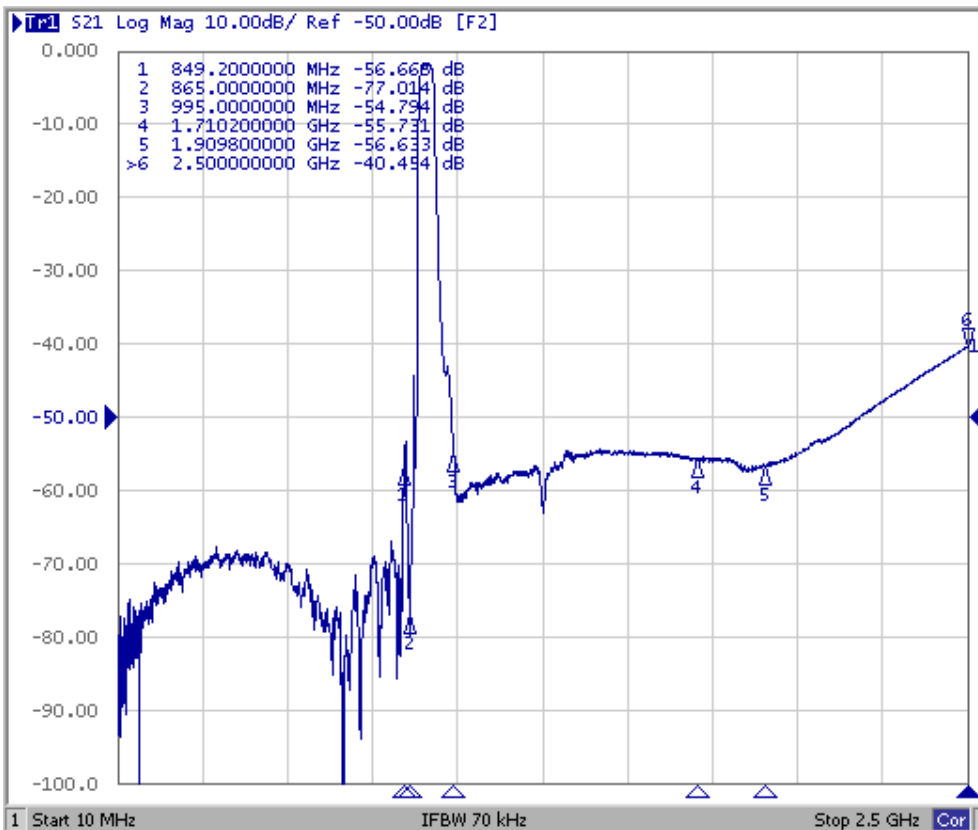
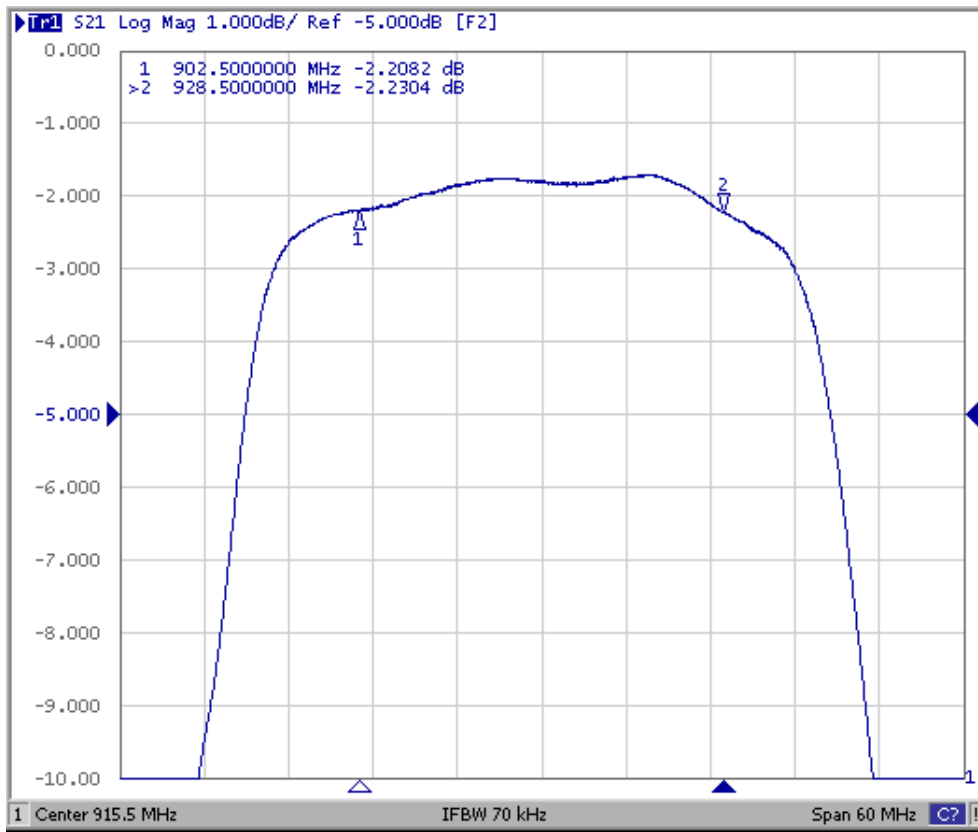
Item	Unit	Min.	Typ.	Max.
Center frequency F_c	MHz	-	915.5	-
Insertion Loss (902.5 ~ 928.5 MHz) IL	dB	-	2.3	3.0
Amplitude Ripple (902.5 ~ 928.5 MHz)	dB	-	0.6	1.5
VSWR (902.5 ~ 928.5 MHz)	-	-	1.7	2.3
Group Delay at F _c	ns	-	31	100
Attenuation (Reference level from 0 dB)				
10 ~ 849.2 MHz	dB	51	56	-
849.2 ~ 865 MHz	dB	51	53	-
995 ~ 1710.2 MHz	dB	51	54	-
1710.2 ~ 1909.8 MHz	dB	41	55	-
1909.8 ~ 2500 MHz	dB	30	40	-
Temperature Coefficient of Frequency	Ppm/°C	-	-36	-

C. MEASUREMENT CIRCUIT:

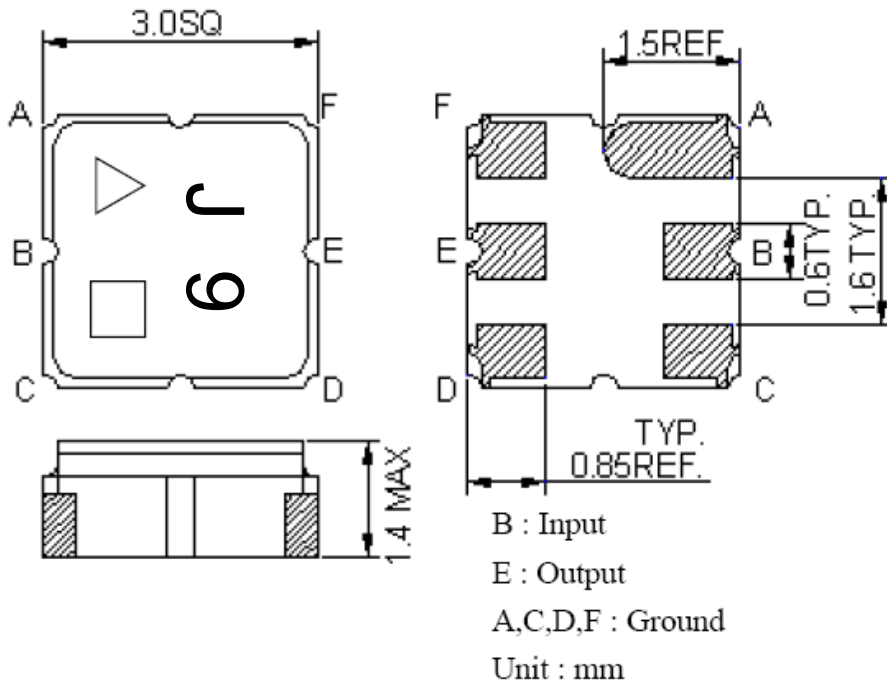
HP Network analyzer



D. Frequency Characteristics:



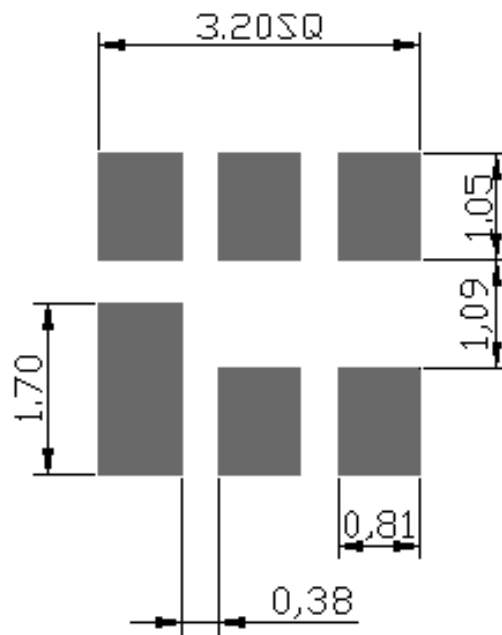
E. OUTLINE DRAWING:



△ : Year Code (2011->1, ..., 2020->0)

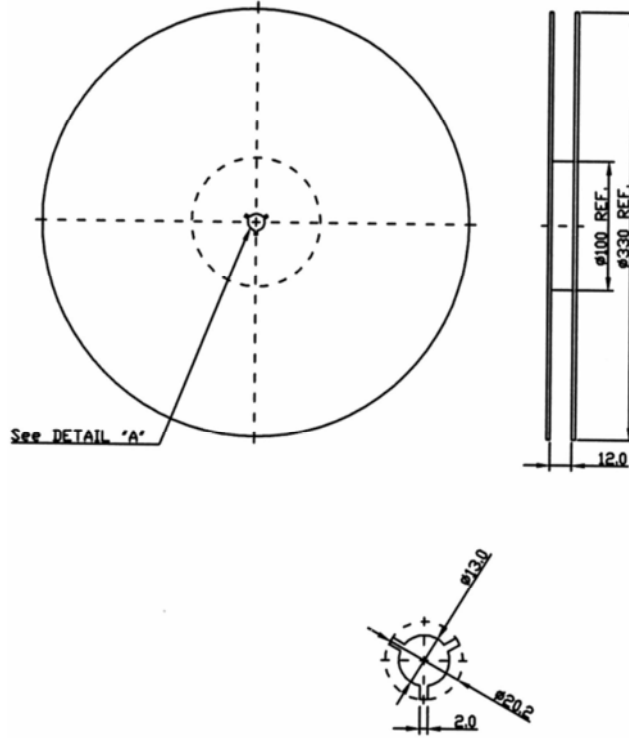
□ : Date Code (Follow the table from planner each year)

F. PCB Footprint:

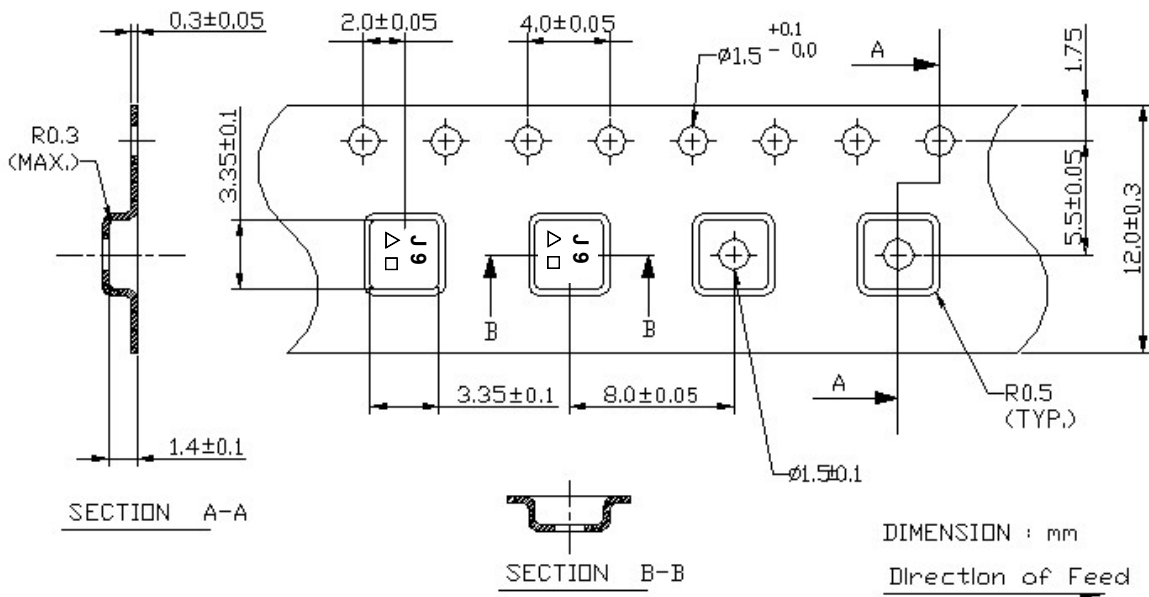


G. PACKING:

1. REEL DIMENSION



2. TAPE DIMENSION



H. RECOMMENDED REFLOW PROFILE:

