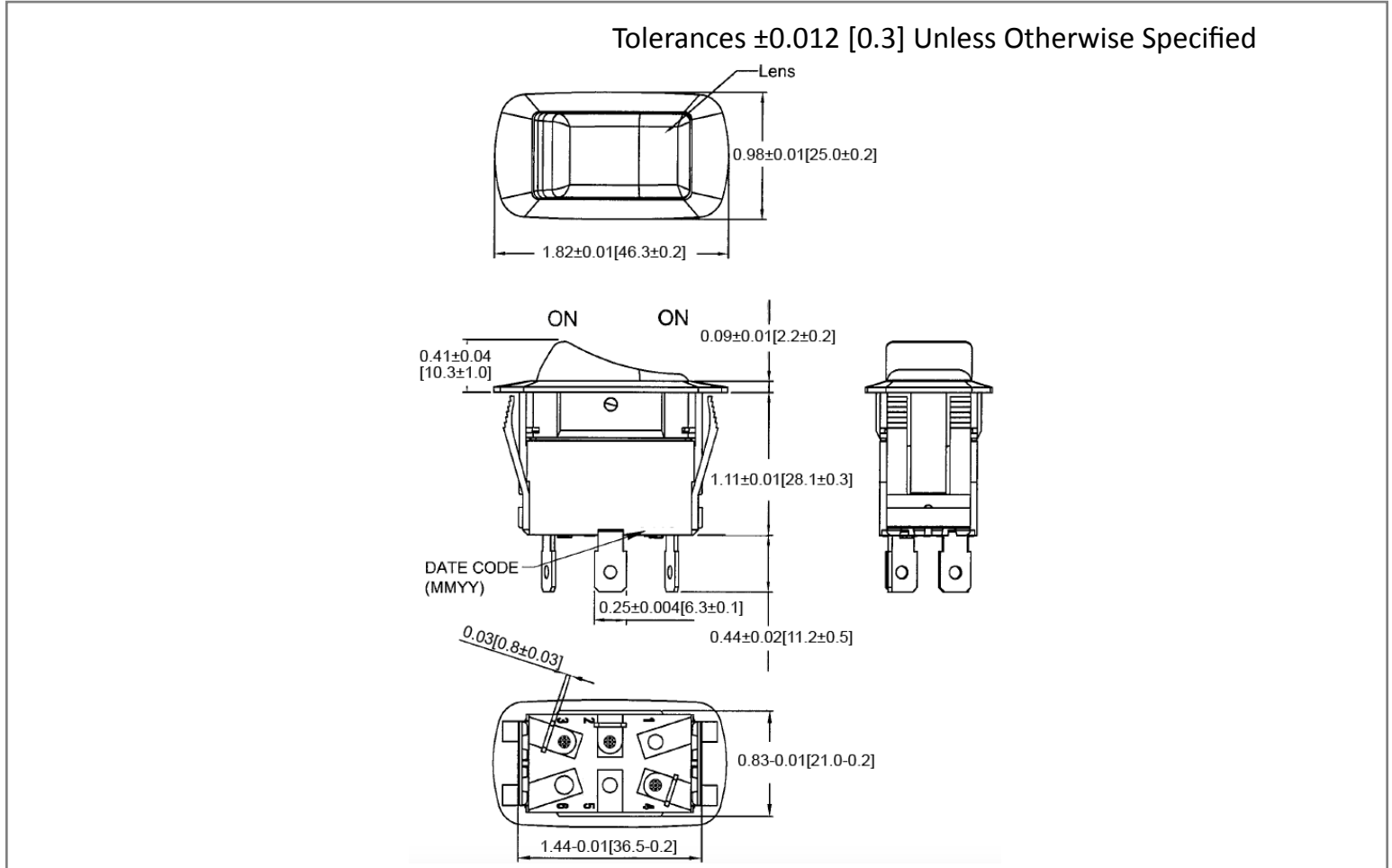
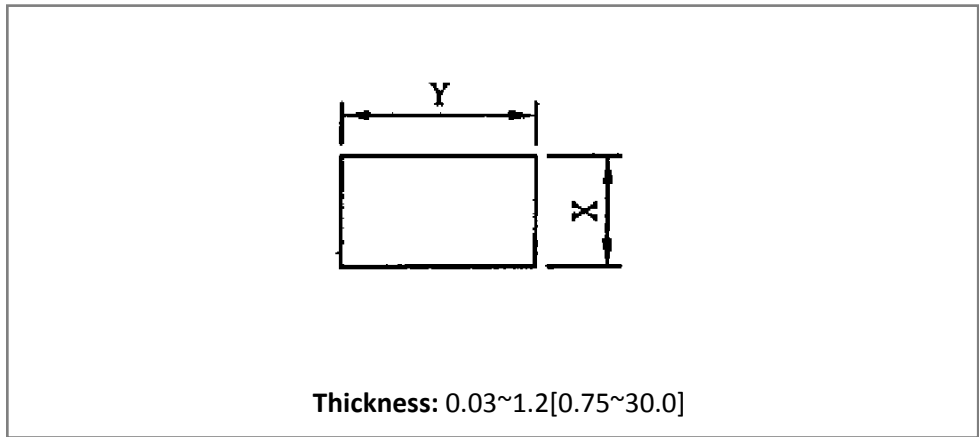


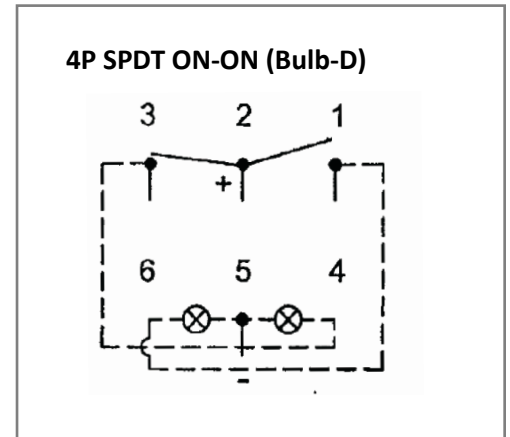
**Mechanical Dimensions: Inches [mm]**



**Mounting Hole**



**Circuit Diagram**



**Electrical Specifications**

Rating	21A 14V DC	
Contact Resistance	50m ohm Max	
Insulation Resistance	DC 500V 100M ohm Min	
Dielectric Strength	AC 1500V 1minute	
Operation Temperature	-20°C~85°C	

**Material Specifications**

Frame	Black, Nylon #66
Lamp	Bulb 1: Red, 2: Green
Lens	Lens 1: Red. Lens 2: Green
Actuator	Black, Nylon 66 +33%GF

Rev	Date of issue	Revision Notes	Designed	Approved
B	02-26-2020	Initial Drawing	RC	OF