

Description

Silicon Laboratories' Si4012 is a fully integrated crystal-less CMOS high-data rate RF transmitter designed for the sub-GHz ISM band. This chip is optimized for battery powered applications requiring low standby currents and high output transmit power. The device offers advanced radio features including continuous frequency coverage from 27–960 MHz, adjustable output power of up to +10 dBm, and data rates up to 100 Kbaud in FSK mode. The Si4012's high level of integration offers reduced BOM cost while simplifying the overall system design.

The transmitter supports data streaming into the TX FIFO without external MCU support. The digital transmit modulation and automatic PA power ramping ensure precise transmit modulation and reduced spectral splatter, ensuring compliance with FCC, ETSI, and ARIB regulations. Additional system features such as the low battery detector and 256 byte TX FIFO reduce overall current consumption and allow the use of lower-cost system MCUs. The Si4012 is optimized for wireless MBUS T1-mode.

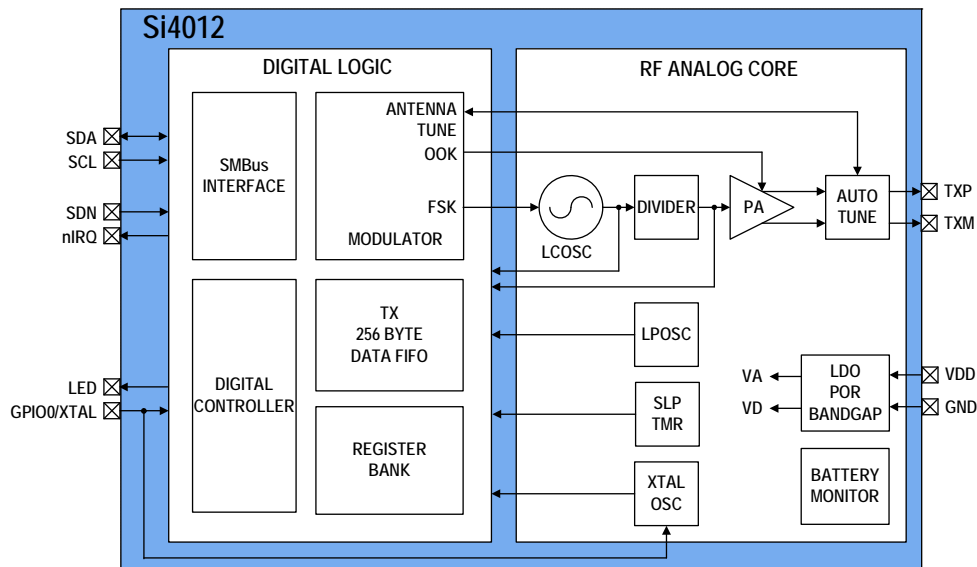
The device leverages Silicon Labs' patented and proven crystal-less oscillator technology and offers better than ± 150 ppm carrier frequency stability over the temperature range of 0 to +70 °C and ± 250 ppm carrier frequency stability over the industrial range of -40 to +85 °C without the use of an external crystal or frequency reference. The Si4012 automatically calibrates the on-chip voltage controlled oscillator (LCOSC) which forms the output carrier frequency for process and temperature variations. An external 1-pin crystal oscillator option is available for applications requiring tighter frequency tolerances. The Si4012 is designed to work with an MCU and a few passives to create a very low-cost system. Voltage regulators are integrated on-chip, which allows for a wide range of operating supply voltage conditions from +1.8 to +3.6 V. Digital integration reduces the amount of required external components compared to traditional offerings. The high integration of the Si4012 improves the system manufacturing reliability, quality, and minimizes costs. This chip offers industry leading RF performance, high integration, flexibility, low BOM, small board area, and ease of design. No production alignment is necessary as all RF functions are integrated into the device.

Features

- Frequency Range = 27–960 MHz
- FSK and OOK modulation
- Output Power
 - Maximum: +10 dBm
 - Configurable: -13 to +10 dBm
- Crystal-less operation
 - ± 150 ppm: 0 to +70 °C
 - ± 250 ppm: -40 to +85 °C
 - Optional crystal input for tighter tolerances
- Data Rate
 - FSK: 0.1 to 100 Kbaud
 - OOK: 0.1 to 20 Kbaud
- Power Supply = 1.8 to 3.6 V
- TX 256 byte FIFO
- Low battery detector
- SMBus interface
- -40 to +85 °C temperature range
- 10-pin MSOP, Pb free/RoHS compliant

Applications

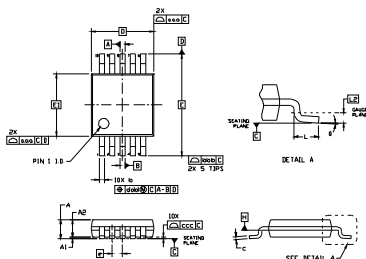
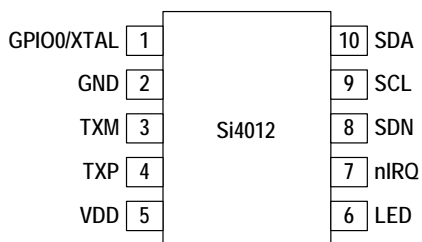
- Remote meter reading
- Wireless MBUS T1-mode
- Remote control
- Remote keyless entry
- Home security and alarm
- Telemetry
- Toy control
- Home automation
- Industrial control
- Sensor networks
- Health monitors



Selected Electrical Specifications

Parameter	Symbol	Test Condition	Min	Typ	Max	Unit
Supply Voltage Range	V_{DD}		1.8	—	3.6	V
Power Saving Modes	$I_{Shutdown}$	Lowest current mode	—	100	—	nA
	I_{Idle}	Register values retained, lowest current consumption idle mode	—	700	—	nA
	I_{Tune}	Register values retained, LCOSC on, fastest response to TX mode	—	5	—	mA
TX Mode Current @ +10 dBm	I_{TX_OOK}	OOK, Manchester encoded	—	14.2	—	mA
	I_{TX_FSK}	FSK	—	19.8	—	mA
Mode Response Time to TX	$t_{Shutdown-TX}$		—	21.4	—	ms
	$t_{Shutdown-Idle}$		—	16.4	—	ms
	$t_{Idle-TX}$		—	5	—	ms
	$t_{Tune-TX}$		—	100	—	us
Frequency Range	F_{Range}		27	—	960	MHz
Carrier Frequency Accuracy		0 to + 70 °C	-150	—	+150	ppm
		-40 to + 85 °C	-250	—	+250	ppm
		Error contribution using optional crystal	-10	—	+10	ppm
Frequency Noise (rms)		Allen deviation, measured across 1ms interval	—	0.3	—	ppm
Frequency Tuning Time			—	5	—	ms
FSK Modulation Data Rate	DR_{FSK}		0.1	—	100	Kbaud
OOK Modulation Data Rate	DR_{OOK}		0.1	—	50	Kbaud
Transmit Power		Configurable output power range with optimum load and $V_{DD} > 2.2$ V	-13	—	+10	dBm
		Power variation vs temp and supply, with optimum load and $V_{DD} > 2.2$ V	-1.0	—	+0.5	dB
		Power variation vs temp and supply, with optimum load and $V_{DD} > 1.8$ V	-2.5	—	+0.5	dB
		Step size from -13 to +6.5 dBm with optimum load and $V_{DD} > 2.2$ V	—	0.25	—	dB
FSK Deviation			—	300	—	ppm
Operating Ambient Temperature Range	T_A		-40	—	85	°C

MSOP-10 Pin Package



Symbol	Min	Nom	Max
A	—	—	1.10
A1	0.00	—	0.15
A2	0.75	0.85	0.95
b	0.17	—	0.33
c	0.08	—	0.23
D	3.00 BSC		
E	4.90 BSC		
E1	3.00 BSC		

Symbol	Min	Nom	Max
e	0.50 BSC		
L	0.40	0.60	0.80
L2	0.25 BSC		
q	0°	—	8°
aaa	—	—	0.20
bbb	—	—	0.25
ccc	—	—	0.10
ddd	—	—	0.08

Notes:

1. All dimensions are shown in millimeters (mm).
2. Dimensioning and tolerancing per ASME Y14.5M-1994.
3. This drawing conforms to JEDEC Outline MS012, variation "BA."
4. Recommended card reflow profile is per the JEDEC/IPC J-STD-020 specification for Small Body Components.



Smart.
Connected.
Energy-Friendly



Products
www.silabs.com/products



Quality
www.silabs.com/quality



Support and Community
community.silabs.com

Disclaimer

Silicon Laboratories intends to provide customers with the latest, accurate, and in-depth documentation of all peripherals and modules available for system and software implementers using or intending to use the Silicon Laboratories products. Characterization data, available modules and peripherals, memory sizes and memory addresses refer to each specific device, and "Typical" parameters provided can and do vary in different applications. Application examples described herein are for illustrative purposes only. Silicon Laboratories reserves the right to make changes without further notice and limitation to product information, specifications, and descriptions herein, and does not give warranties as to the accuracy or completeness of the included information. Silicon Laboratories shall have no liability for the consequences of use of the information supplied herein. This document does not imply or express copyright licenses granted hereunder to design or fabricate any integrated circuits. The products must not be used within any Life Support System without the specific written consent of Silicon Laboratories. A "Life Support System" is any product or system intended to support or sustain life and/or health, which, if it fails, can be reasonably expected to result in significant personal injury or death. Silicon Laboratories products are generally not intended for military applications. Silicon Laboratories products shall under no circumstances be used in weapons of mass destruction including (but not limited to) nuclear, biological or chemical weapons, or missiles capable of delivering such weapons.

Trademark Information

Silicon Laboratories Inc., Silicon Laboratories, Silicon Labs, SiLabs and the Silicon Labs logo, CMEMS®, EFM, EFM32, EFR, Energy Micro, Energy Micro logo and combinations thereof, "the world's most energy friendly microcontrollers", Ember®, EZLink®, EZMac®, EZRadio®, EZRadioPRO®, DSPLL®, ISOmodem®, Precision32®, ProSLIC®, SiPHY®, USBXpress® and others are trademarks or registered trademarks of Silicon Laboratories Inc. ARM, CORTEX, Cortex-M3 and THUMB are trademarks or registered trademarks of ARM Holdings. Keil is a registered trademark of ARM Limited. All other products or brand names mentioned herein are trademarks of their respective holders.



Silicon Laboratories Inc.
400 West Cesar Chavez
Austin, TX 78701
USA

<http://www.silabs.com>