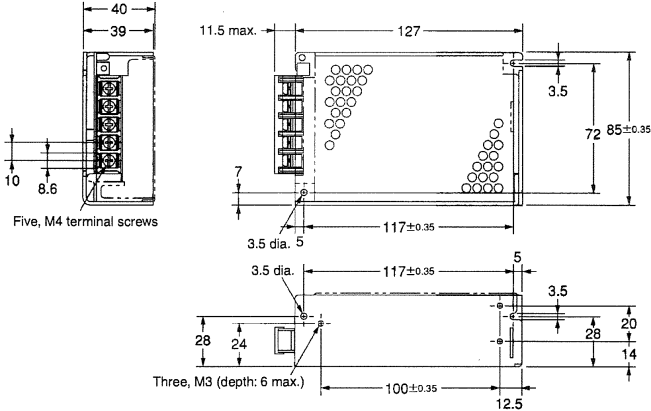




# Dimension/Mounting Dimension

## Model to be discontinued S8PS series

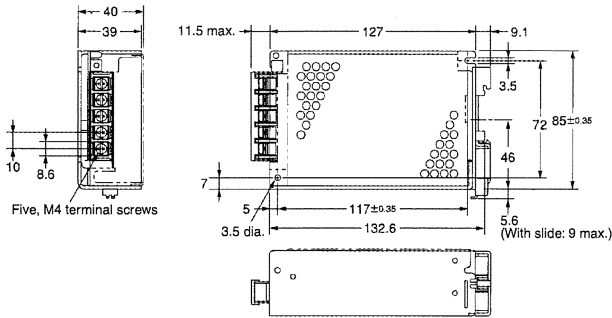
- <50W models>  
Bottom-mounting
- S8PS-050□□
  - S8PS-050□□C



(Note)  
S8PS: Bottom mounting is possible with the attached accessory mounting bracket.  
S8VM: A mounting bracket has to be ordered separately for bottom mounting.

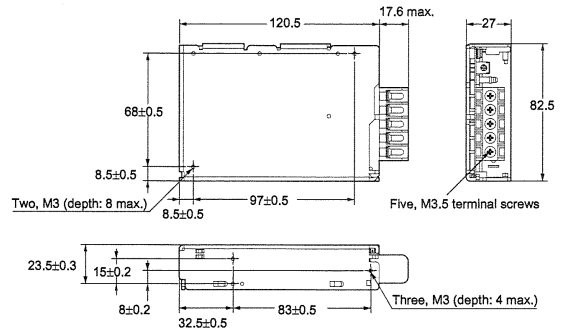
### DIN Rail Mounting

- S8PS-050□□D
- S8PS-050□□CD

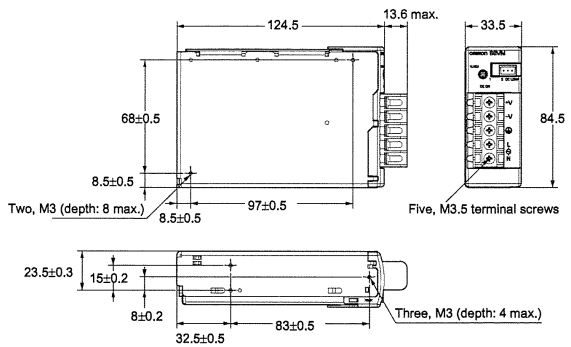


## Recommended replacement S8VM series

- <50W models>  
Bottom-mounting
- S8VM-050□□
  - S8VM-050□□C

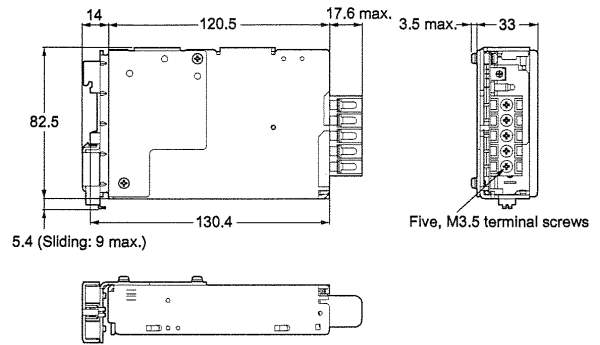


- S8VM-050□□C

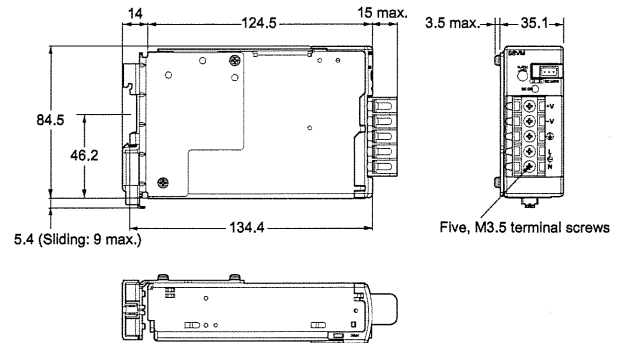


### DIN Rail Mounting

- S8VM-050□□D
- S8VM-050□□CD



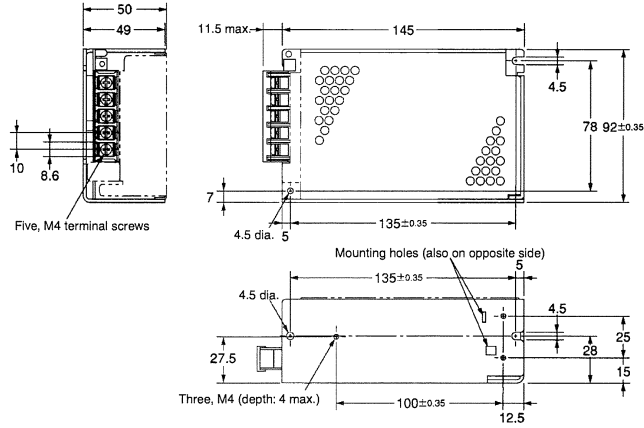
- S8VM-050□□CD



# Dimension/Mounting Dimension

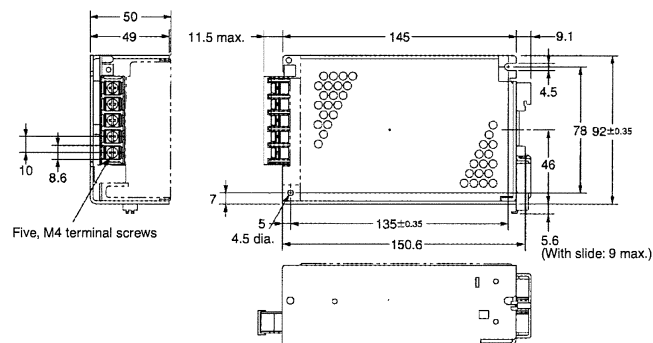
## Model to be discontinued S8PS series

- <100W models>  
Bottom-mounting
- S8PS-10024
  - S8PS-10024C



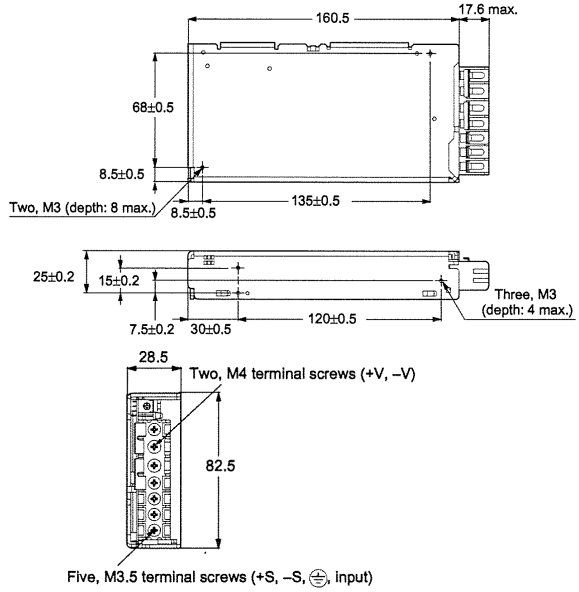
(Note)  
S8PS: Bottom mounting is possible with the attached accessory mounting bracket.  
S8VM: A mounting bracket has to be ordered separately for bottom mounting.

- DIN Rail Mounting
- S8PS-10024D
  - S8PS-10024CD

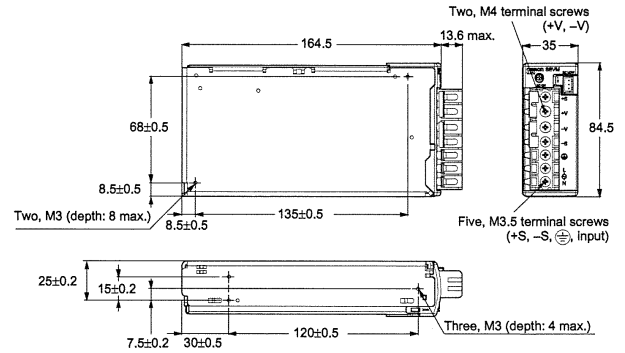


## Recommended replacement S8VM series

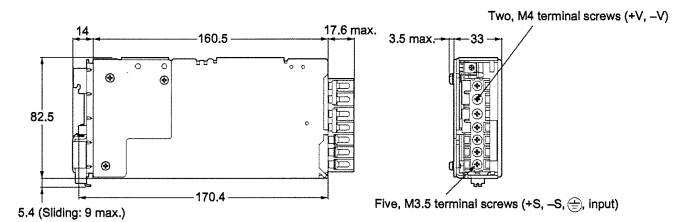
- <100W models>  
Bottom-mounting
- S8VM-10024



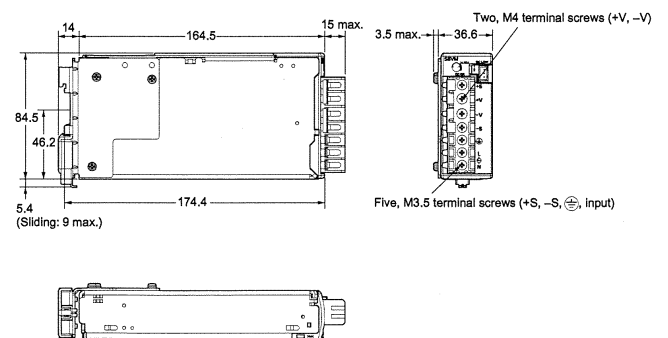
- S8VM-10024C



- DIN Rail Mounting
- S8VM-10024D



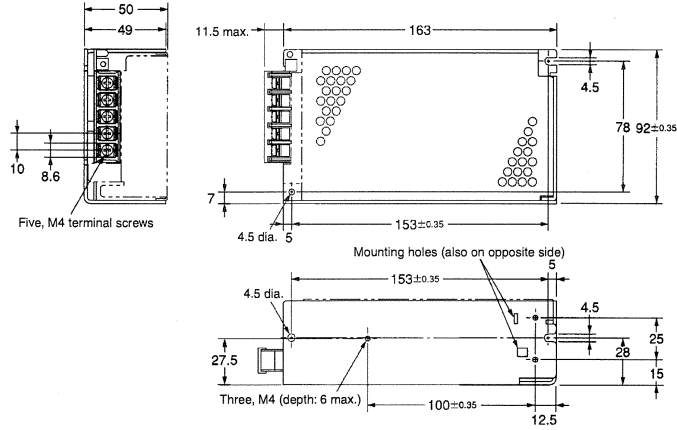
- S8VM-10024CD



# Dimension/Mounting Dimension

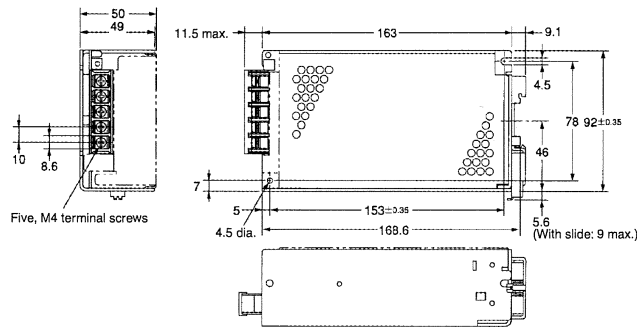
## Model to be discontinued S8PS series

- <150W models>  
Bottom-mounting
- S8PS-15024
  - S8PS-15024C



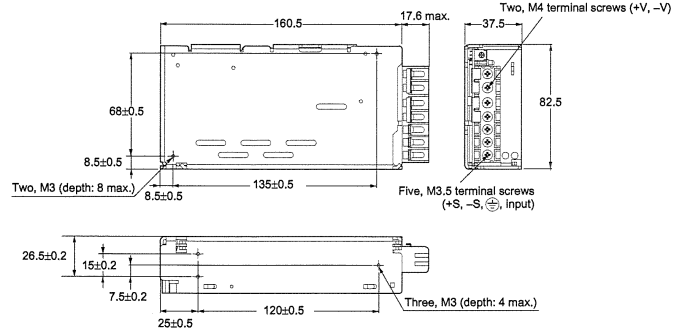
(Note)  
S8PS: Bottom mounting is possible with the attached accessory mounting bracket.  
S8VM: A mounting bracket has to be ordered separately for bottom mounting.

- DIN Rail Mounting
- S8PS-15024D
  - S8PS-15024CD

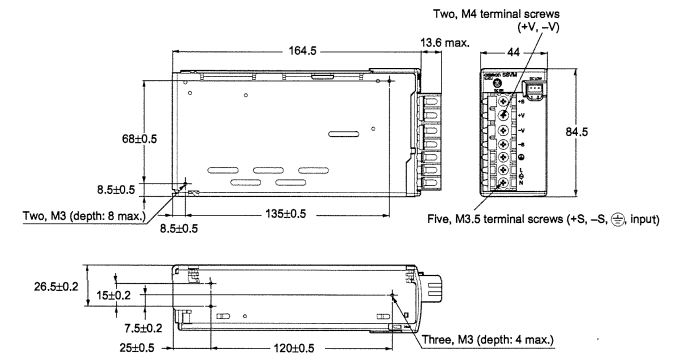


## Recommended replacement S8VM series

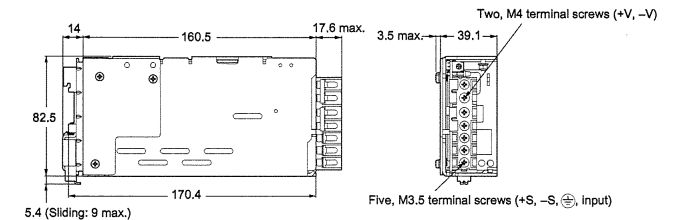
- <150W models>  
Bottom-mounting
- S8VM-15024



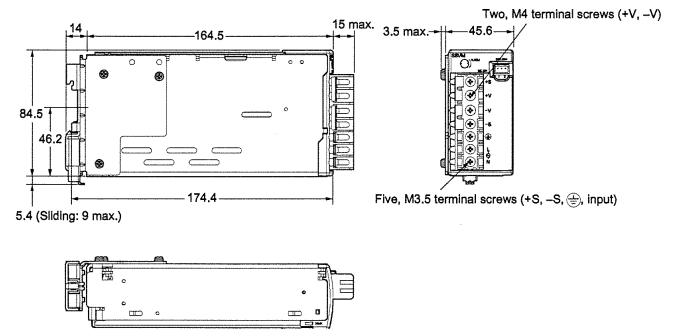
- S8VM-15024C



- DIN Rail Mounting
- S8VM-15024D



- S8VM-15024CD



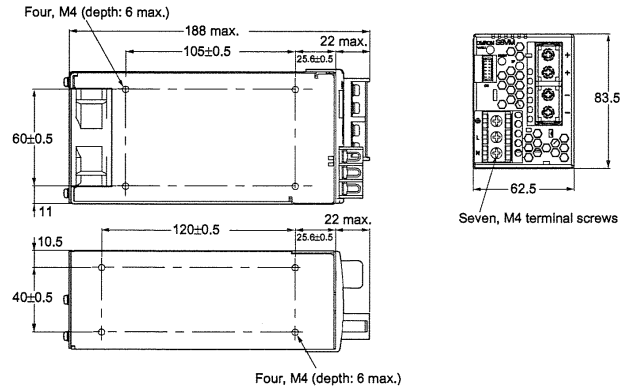
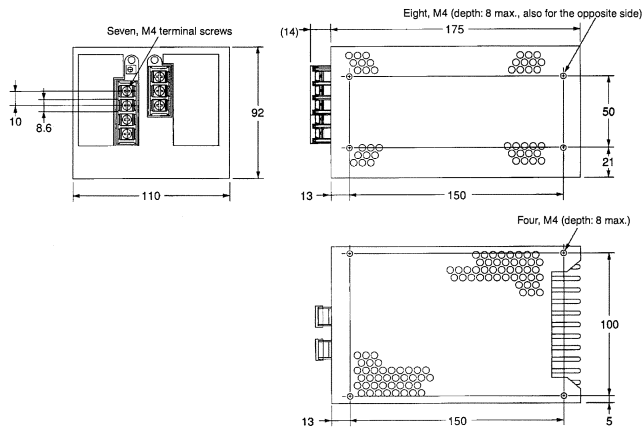
# Dimension/Mounting Dimension

## Model to be discontinued S8PS series

## Recommended replacement S8VM series

<300W models>  
Bottom-mounting  
▪ S8PS-30024C

<300W models>  
Bottom-mounting  
▪ S8VM-30024C

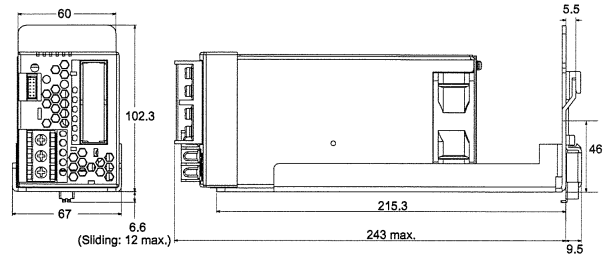
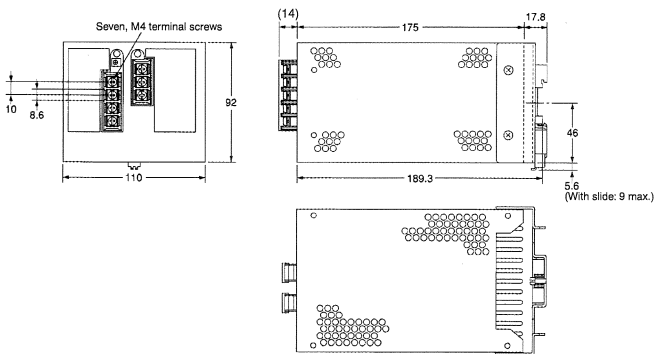


(Note)

S8PS: Bottom mounting is possible with the attached accessory mounting bracket.  
S8VM: A mounting bracket has to be ordered separately for bottom mounting.

DIN Rail Mounting  
▪ S8PS-30024CD

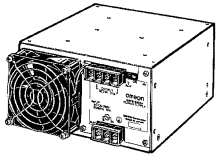
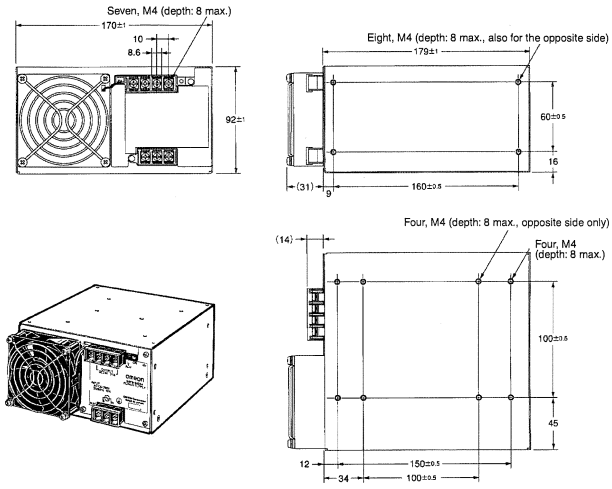
DIN Rail Mounting  
<Combination of S8VM-30024C + S82Y-VM30D (DIN bracket)>



# Dimension/Mounting Dimension

## Model to be discontinued S8PS series

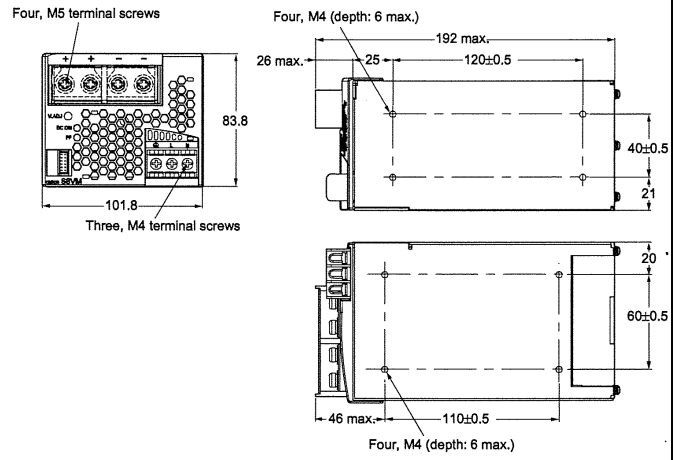
<600W models>  
Bottom-mounting  
▪ S8PS-60024C



(Note)  
S8PS: Bottom mounting is possible with the attached accessory mounting bracket.  
S8VM: A mounting bracket has to be ordered separately for bottom mounting.

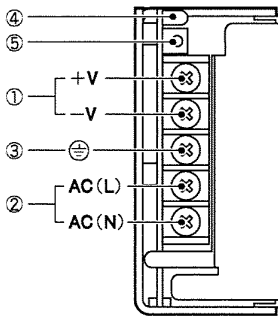
## Recommended replacement S8VM series

<600W models>  
Bottom-mounting  
▪ S8VM-60024C

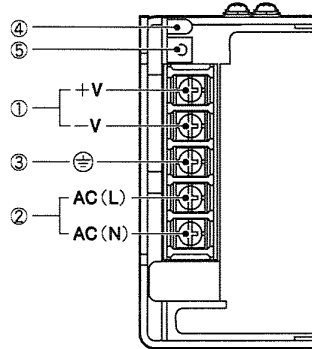


Model to be discontinued  
S8PS series

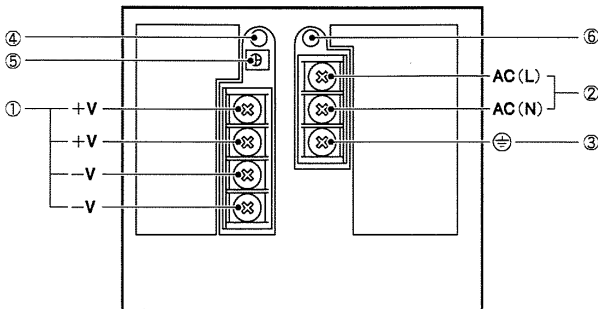
50-W Models



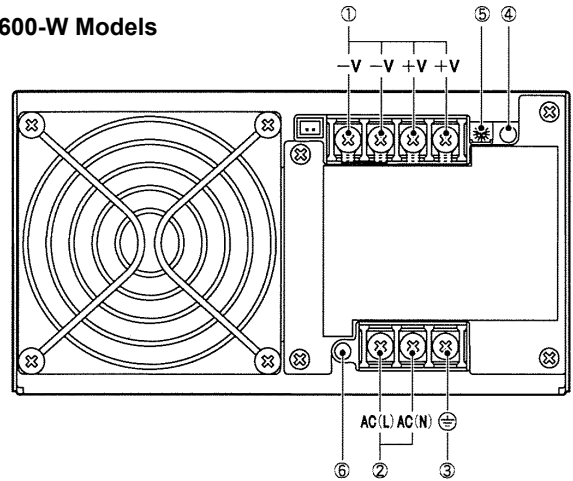
100-/150-W Models



300-W Models



600-W Models



- ① DC Output Terminals: Connect the load lines to these terminals.
- ② Input Terminals: Connect the input lines to these terminals.  
Note: A fuse is inserted into the AC(L) side
- ③ Ground Terminal (GR): Connect a ground line to this terminal.
- ④ Output Indicator (DC ON): Lights (green) while a Direct Current (DC) output is ON.
- ⑤ Output Voltage Adjuster (V.ADJ): It is possible to increase or decrease the output voltage by -5% to 10%.
- ⑥ Protection-ON Alarm Indicator: The red indicator will be lit if the overvoltage (for a 300-/600-W model) or overheat protection (for a 600-W model) circuit is triggered.

Recommended replacement  
S8VM series

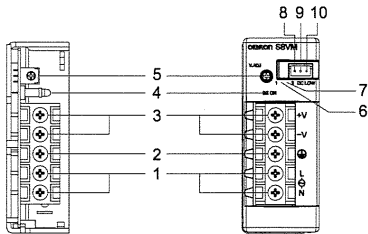
50-W Models

Open-frame Models

S8VM-050□□/S8VM-050□□D

Covered Models

S8VM-050□□C□/S8VM-05024A□/P□



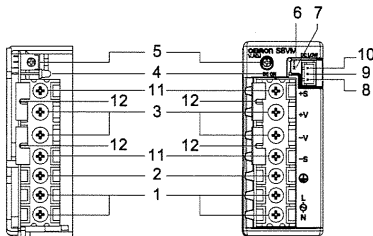
100-W Models

Open-frame Models

S8VM-100□□/S8VM-100□□D

Covered Models

S8VM-100□□C□/S8VM-10024A□/P□



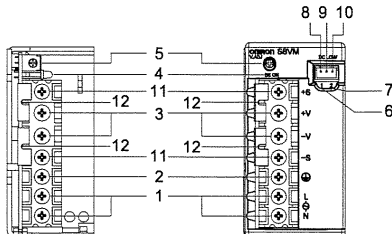
150-W Models

Open-frame Models

S8VM-150□□/S8VM-150□□D

Covered Models

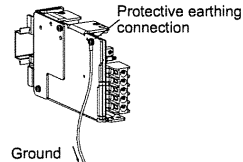
S8VM-150□□C□/S8VM-15024A□/P□



No.	Name	Function
1	AC input terminals (L), (N)	Connect the input lines to these terminals. (See note 1.)
2	PE terminal: Protective earthing terminal (S8VM-□□□□C□/S8VM-□□□□A□/ S8VM-□□□□P□) FG terminal: Frame ground terminal (S8VM-□□□□□/ S8VM-□□□□□D)	Connect the ground line to this terminal. (See note 2.)
3	DC output terminals (-V), (+V)	Connect the load lines to these terminals.
4	Output indicator (DC ON: Green)	Lights (green) while a direct current (DC) output is ON.
5	Output voltage adjuster (V. ADJ)	Use to adjust the voltage.
6	Undervoltage alarm indicator 1 (DC LOW1: Yellow) (See note 3.)	Lights only when a momentary drop in output voltage is detected. This status is maintained.
7	Undervoltage alarm indicator 2 (DC LOW2: Red) (See note 3.)	Lights only when the output voltage drops to approximately 20 V or lower.
8	Undervoltage alarm output terminal 1: (DC LOW1) (See note 4.)	Outputs only when a momentary drop in output voltage is detected. This status is maintained. (The transistor turns OFF when a voltage drop occurs.)
9	Undervoltage alarm output terminal 2: (DC LOW2) (See note 4.)	Outputs only when the output voltage drops to approximately 20 V or lower. (The transistor turns OFF when a voltage drop occurs.)
10	Common terminal for undervoltage alarm output (See note 4.)	Common terminal (See note 6.) for terminals 8 and 9
11	Remote sensing terminals (See note 5.)	Correct the voltage drop in the load lines.
12	Short bars (See note 5.)	---

**Note: 1.** The fuse is located on the (L) side. It is NOT user-replaceable.

- 2.** If mounting is performed using a DIN Rail, the protective earthing connection is the panel mounting hole shown in the figure below.  
(A protective earthing connection stipulated in safety standards is used. Connect the ground completely (S8VM-□□□□D only)).  
Ground terminal: M3 (Depth: 8 mm max.)/Ground wire: AWG 18



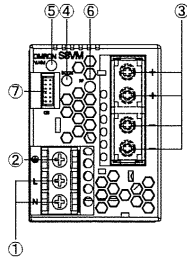
- 3.** S8VM-□□□24A□/P□ only  
**4.** S8VM-05024A□/P□, S8VM-10024A□/P□, S8VM-15024A□/P□ only. Housing and terminals of the connector for undervoltage detection output are also provided. For details, refer to *Undervoltage Alarm Output Connector Harness Manufacture Method* on page 33 under *Safety Precautions*.  
**5.** When not using the remote sensing function, leave the short bar in the same state as when shipped.  
**6.** A□ models: Common terminal (emitter)  
P□ models: Common terminal (collector)



Recommended replacement  
S8VM series

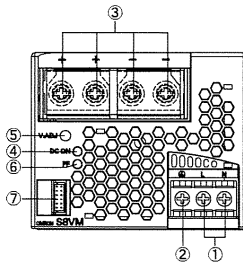
**300-W Models**

S8VM-300□□C



**600-W Models**

S8VM-600□□C



No.	Name	Function
1	AC input terminal (L), (N)	Connect the input lines to these terminals. (See note 1.)
2	PE terminal: Protective earthing terminal (S8VM-300□□C/S8VM-600□□C) FG terminal: Frame ground terminal (S8VM-15224C)	Connect the ground line to this terminal. (See note 2.)
3	DC output terminals (-V), (+V)	Connect the load lines to these terminals.
4	Output indicator (DC ON: Green)	Lights (green) while a direct current (DC) output is ON.
5	Output voltage adjuster (V.ADJ)	Use to adjust the voltage.
6	Power failure alarm indicator (PF: Red)	Lights when the output voltage decreases, the fan stops, and the system is on standby using the remote control function.
7	Signal I/O connector (See note 3.)	1: DC output monitor pin (+V) 2: Remote sensing pin (+S) 3: DC output monitor pin (-V) 4: Remote sensing pin (-S) 5: Current balance pin (CB) 6: Signal ground pin for current balance (CBG) 7: Remote control pin (+RC) 8: Remote control pin (-RC) 9: No connect 10: No connect 11: Power failure alarm output pin (PF-C) (collector) 12: Power failure alarm output pin (PF-E) (emitter)

- Note:**
- The fuse is located on the (L) side. It is NOT user-replaceable.
  - Protective earthing connection is the panel mounting hole of the metal case. (A protective earthing connection stipulated in safety standards is used. Connect the ground completely.)  
Ground terminal: M4 (Depth: 6 mm max.)/Ground wire: AWG 18
  - The enclosed standard connector for signal I/O is mounted to CN when S8VM is shipped. The enclosed signal I/O connector shorts between 1 and 2, between 3 and 4, and between 7 and 8.  
Do not connect a load to the output voltage monitor terminals (+V, -V).

## Characteristics

	Model to be discontinued S8PS series	Recommended replacement S8VM series
Supply Voltage	All models in common: Free input 100 to 240VAC (85 to 264VAC)	All models in common: Free input 100 to 240VAC (85 to 264VAC)
Inrush current	All models in common: 25A TYP at 100VAC 50A TYP at 200VAC Note: 25°C, cold start	50/100/150W models 17.5A TYP at 100VAC 35A TYP at 200VAC 300/600W models 20A TYP at 100VAC 40A TYP at 200VAC Note: 25°C, cold start
Startup time	50/100/150W models 1000ms max. 300/600W models 1500ms max.	50/100/150W models 800ms max. 300/600W models 1000ms max.
Hold time	20ms min.	20ms typ (15ms min.)
Overload protection	50/100/150/300W models 105% (300W: 101% min.) of rated load current, voltage drop, intermittent, automatic reset 600W models 105% min. of rated load current, inverted L drop type (Turns OFF when continuous for 5s min.)	50/100/150W models 105% of rated load current, inverted L drop type, automatic reset 300W models 105% (24V: 120% min.) of rated load current, inverted L drop type, automatic reset 600W models 105% (24V: 115% min.) of rated load current, inverted L drop type, automatic reset All capacities in common 5V: intermittent
Parallel operation	50/100/150W models No 300/600W models Yes, up to 2 units	50/100/150W models No 300/600W models Yes, up to 2 units (It is necessary to connect CB pin and CBG pin.)
Cooling method	50/100/150/300W models Natural air-cooling 600W models Forced-air cooling with a built-in fan (Cooling air blows out from anterior surface)	50/100/150W models Natural air-cooling 300/600W models Forced-air cooling with a built-in fan (Cooling air blows out from anterior surface)

## Accessories

Model to be discontinued S8PS series	Recommended replacement S8VM series
<p>&lt;Accessories&gt;</p> <p>Bottom-mounting bracket: Included to Bottom-mounting type</p> <p>Replacement fan: S82Y-JFAN (for 600W)</p>	<p>&lt;Order separately&gt;</p> <p>Bottom mounting bracket: S82Y-VM10B (for 50W) S82Y-VM20B (for 100/150W) S82Y-VM30B (for 300W) S82Y-VM60B (for 600W)</p> <p>Horizontal bottom mounting bracket: S82Y-VM30S (for 300W) S82Y-VM60S (for 600W)</p> <p>Front mounting bracket: S82Y-VM10F (for 50/100/150W) S82Y-VM30F (for 300W) S82Y-VM60F (for 600W)</p> <p>DIN Rail mounting bracket: S82Y-VM30D (for 300W) S82Y-VM60D (for 600W)</p> <p>Replacement fan: S82Y-VM30FAN (for 300W) S82Y-VM60FAN (for 600W)</p>

When S8PS is mounted with a bottom-mounting bracket attached, please also use a bottom-mounting bracket (Ordered separately) for S8VM.