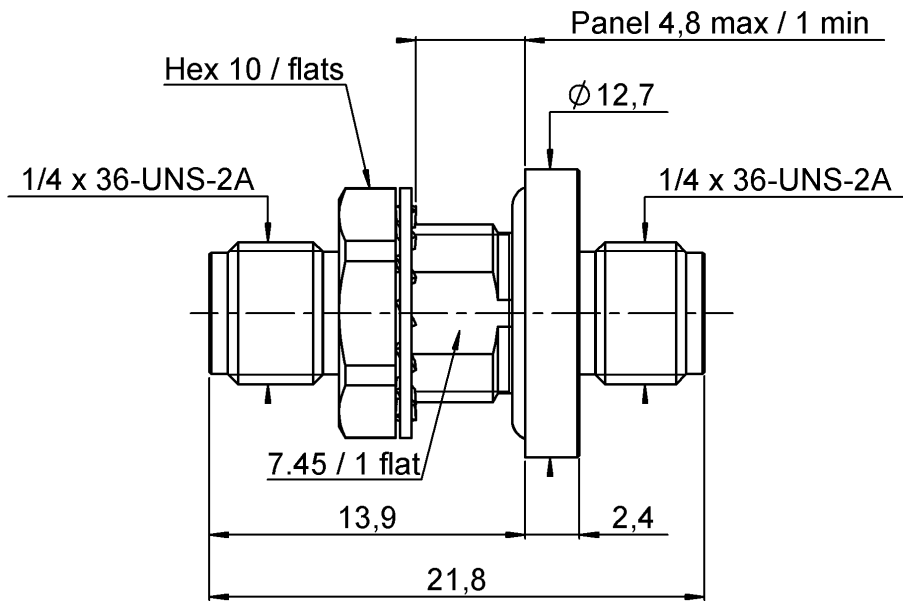
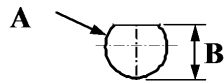


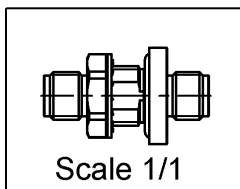
PAGE 1/2	ISSUE 22-04-15	SERIES SMA 2.9	PART NUMBER R127732100
----------	----------------	----------------	------------------------



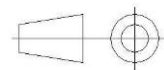
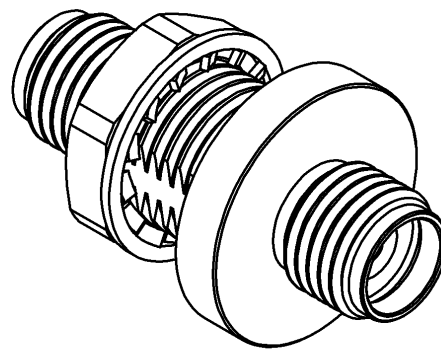
PANEL CUT OUT



mm		
	Maxi	mini
A	8.0	7.9
B	7.6	7.5



All dimensions are in mm.



COMPONENTS	MATERIALS	PLATING (µm)
Body	STAINLESS STEEL	GOLD 0.5 OVER NICKEL 2
Center contact	BERYLLIUM COPPER	GOLD 1.3 OVER NICKEL 2
Outer contact	BRASS	GOLD 0.2 OVER NICKEL 2
Insulator	POLYIMIDE KAPTON 500H	
Gasket	NITRILE RUBBER BS2751BA70	
Others parts	BRASS	GOLD 0.2 OVER NICKEL 2
-	-	-
-	-	-

PAGE 2/2	ISSUE 22-04-15	SERIES SMA 2.9	PART NUMBER R127732100
----------	-----------------------	-----------------------	-------------------------------

PACKAGING

Standard	Unit	Other
1	Contact us	Contact us

ELECTRICAL CHARACTERISTICS

Impedance		50		Ω
Frequency		0-46		GHz
VSWR	1.10	+	0,0100	x F(GHz) Maxi
Insertion loss			*	√F(GHz) dB Maxi
RF leakage	-		NA	- F(GHz) dB Maxi
Voltage rating			350	Veff Maxi
Dielectric withstanding voltage			750	Veff mini
Insulation resistance			5000	MΩ mini

MECHANICAL CHARACTERISTICS

Center contact retention				
Axial force – Mating End		27		N mini
Axial force – Opposite end		27		N mini
Torque		NA		N.cm mini
Recommended torque				
Mating		NA		N.cm
Panel nut		170		N.cm
Mating life		500		Cycles mini
Weight		6,4000		g

ENVIRONMENTAL

Operating temperature	-40/+100		°C
Hermetic seal	NA		Atm.cm3/s
Panel leakage	NA		

SPECIFICATION

OTHER CHARACTERISTICS

Assembly instruction:

Others:
***0.3 at 46GHz**