

SIGN	DATE	DESCRIPTION	APPROVER
△	02/08'07	Part No. is changed.	Aaron
△	10/29'08	The total length of the up body add 0.50mm (wall on both sides each thickens 0.25mm)	Tony
△	10/29'08	Enter the line hole to change from 2.74×2.2mm to 3.00×2.2mm	Tony
△	12/02'08	Flange screw changed from "-" to "+/-"	Tony
△	11/21'09	The normal grey No. changed from RAL7004/P to RAL7035/D	Kind
△	04/06'10	Add the 2P mark and Wire strip length is changed	RUNNER

THIS IS CAD DRAWING, DO NOT REVISE MANUALLY!!!

### Material

- Item 1 Terminal body:Thermoplastic ( UL94V-0 )
- Item 2 Terminal body:Thermoplastic ( UL94V-0 )
- Item 3 Terminal lever:Thermoplastic ( UL94V-0 )
- Item 4 Wire guard:Stainless Steel
- Item 5 Female contact:PhBz ( CuSn ) Tin plated
- Item 6 With flange screw:Steel M2.5 plated zinc

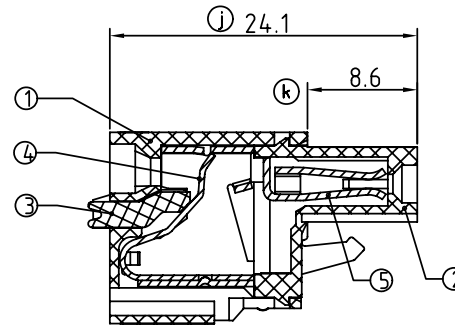
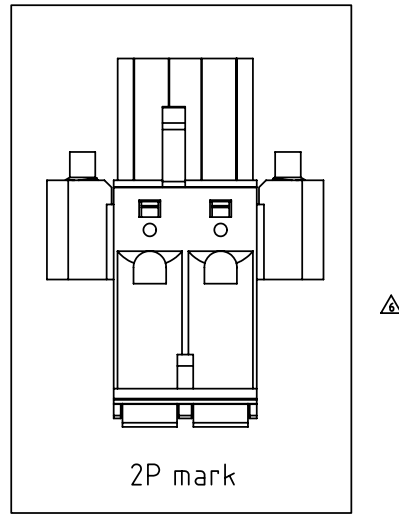
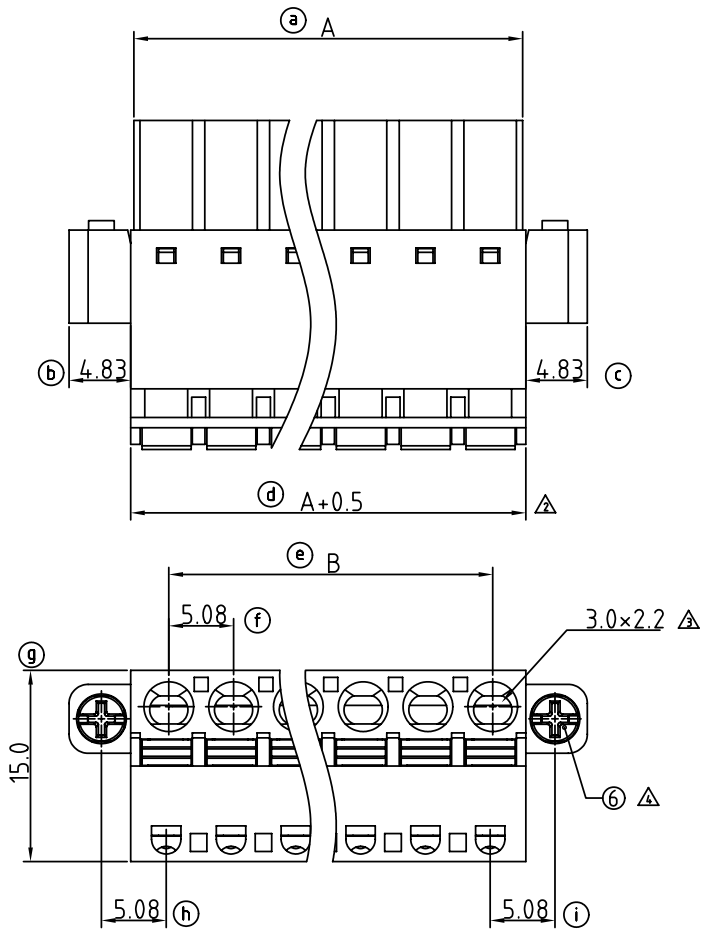
### Electrical cULus

- Voltage rating:300V
- Current rating:10A
- Solid wire(AWG):12-26
- Stranded wire(AWG):12-26
- △ Wire strip length:8-9mm
- Withstanding Voltage:1.6KV
- Operating temperature: -40°C to +115°C
- Safety Approval:



### PART NO.

HW xx 50 x 2 xxxx G △			RoHS Pb<40,000ppm
Poles	Color	0000 Standard @ Logo	
02 2 CONTACTS	0 Black	000A Standard ANY Logo	
03 3 CONTACTS	5 Green	Any special item by	
... ..	( RAL 6018/T )	customer request,	
24 24 CONTACTS	6 Blue	please contact sales	
	△8 Grey	department.	
	( RAL 7035/D )		



POLE	2	3	4	5	6	7	8	9	10	11	12	
A	10.16	15.24	20.32	25.40	30.48	35.56	40.64	45.72	50.80	55.88	60.96	
B	5.08	10.16	15.24	20.32	25.40	30.48	35.56	40.64	45.72	50.80	55.88	
Tol.	±0.15					±0.20						
POLE	13	14	15	16	17	18	19	20	21	22	23	24
A	66.04	71.12	76.20	81.28	86.36	91.44	96.52	101.60	106.68	111.76	116.84	121.92
B	60.96	66.04	71.12	76.20	81.28	86.36	91.44	96.52	101.60	106.68	111.76	116.84
Tol.	±0.25					±0.30						

<b>ANYTEK</b>				<b>CUSTOMER COPY</b>			
ALL RIGHTS RESERVED. REPRODUCTION OR ISSUE TO THIRD PARTIES IN ANY FORM WHATSOEVER IS NOT PERMITTED WITHOUT WRITTEN AUTHORITY FROM THE PROPRIETOR. PROPERTY OF ANYTEK TECHNOLOGY CO., LTD							
TITLE		HW5.08 SERIES (with flange) Contact on down side					
PART NO.		HWxx50x2xxxxG			DWG NO.		8HW0002
APPROVED		CHECKED	DESIGNED	DRAWN	CUST NO.		Tolerance
			Runner 2010.04.06	Tony 2008.12.02			X. ±0.50
							X.X ±0.30
							X.XX ±0.10
							X° ±1°
					SHEET: 01/01		UNIT: mm
							SCALE: NONE
							REV.: G