

Material :

- * Body: High temperature plastic UL 94V-0, Color Nature
- * Cover: High temperature plastic UL 94V-0, Color Black
- * Contact: Phosphor Bronze
- * Fixed tab: Brass with 2.00μm(80μ") Min. Matte Tin Plated over 1.25μm(50μ") Min. Nickel

Ordering Code
 CF42 ** * H 0 R0 -05 -NH
 ① ② ③ ④ ⑤ ⑥ ⑦ ⑧

- ① Series No.
- ② No. of Circuits:
- ③ 1= 2.00μm(80μ") Min. Matte Tin plated over 1.27μm(50μ") Min. Nickel
 F= 0.02μm(0.8μ") Min. Gold Flash Plating on Contact area and Solder-tails, 1.27μm(50μ") Min. Nickel Underplating over all
- ④ Contact style: H= Dual side contact
- ⑤ 0= Color Nature
- ⑥ Packing: R0= Tape & Reel packing
 T0= Tube Packing
- ⑦ -05= 0.5 Pitch
- ⑧ -NH= For Lead Free IR Processed and Halogen Free

Halogen-Free
 Lead Free Process
 RoHS Compliant

④	Eric	3/30-21'	ECRT121019/ECNT121087		DATE	UNIT: mm / inch	TITLE: 0.50mm(.020") ZIF FFC/FPC BACK FLIP CONNECTOR
③	Ken	12/5-18'	ECNT118286/ECRH118045	DRAWN BY: Eric	4/14-21'	TOLERANCE UNLESS OTHERWISE SPECIFIED	
②	Sun	2/05-18'	ECNT118034	ENGINEER: Sun	4/19-21'	.X ± 0.25/.010 X' ± 1"	MATERIAL:
①	Sun	2/02-15'	ECRT214084/ECNT115024	CHECKED BY: Eisley	4/21-21'	.XX ± 0.15/.006 X' ±	
SYM	NAME	DATE	REVISIONS	APPROVED BY: Eisley	4/21-21'	.XXX ± XX' ±	FINISH:

CVILUX CORP
 2021.04.22
 ISSUED

瀚荃股份有限公司
 CviLux Corporation

DRAWING NO.	CF4201SE	PART NO.	CF42***H0R0-05-NH
SCALE	12/ 1	SHEET	1 OF 3


Circuits	Dimension				Circuits	Dimension			
	A	B	C	D		A	B	C	D
* 4	1.50 (.059)	4.00 (.157)	2.55 (.100)	3.42 (.135)	31	15.00 (.591)	17.50 (.689)	16.05 (.632)	16.92 (.666)
* 5	2.00 (.079)	4.50 (.177)	3.05 (.120)	3.92 (.154)	32	15.50 (.610)	18.00 (.709)	16.55 (.652)	17.42 (.686)
* 6	2.50 (.098)	5.00 (.197)	3.55 (.140)	4.42 (.174)	33	16.00 (.630)	18.50 (.728)	17.05 (.671)	17.92 (.706)
* 7	3.00 (.118)	5.50 (.217)	4.05 (.159)	4.92 (.194)	* 34	16.50 (.650)	19.00 (.748)	17.55 (.691)	18.42 (.725)
* 8	3.50 (.138)	6.00 (.236)	4.55 (.179)	5.42 (.213)	35	17.00 (.669)	19.50 (.768)	18.05 (.711)	18.92 (.745)
* 9	4.00 (.157)	6.50 (.256)	5.05 (.199)	5.92 (.233)	* 36	17.50 (.689)	20.00 (.787)	18.55 (.730)	19.42 (.765)
* 10	4.50 (.177)	7.00 (.276)	5.55 (.219)	6.42 (.253)	37	18.00 (.709)	20.50 (.807)	19.05 (.750)	19.92 (.784)
* 11	5.00 (.197)	7.50 (.295)	6.05 (.238)	6.92 (.272)	38	18.50 (.728)	21.00 (.827)	19.55 (.770)	20.42 (.804)
* 12	5.50 (.217)	8.00 (.315)	6.55 (.258)	7.42 (.292)	39	19.00 (.748)	21.50 (.846)	20.05 (.789)	20.92 (.824)
* 13	6.00 (.236)	8.50 (.335)	7.05 (.278)	7.92 (.312)	* 40	19.50 (.768)	22.00 (.866)	20.55 (.809)	21.42 (.843)
* 14	6.50 (.256)	9.00 (.354)	7.55 (.297)	8.42 (.331)	41	20.00 (.787)	22.50 (.886)	21.05 (.829)	21.92 (.863)
* 15	7.00 (.276)	9.50 (.374)	8.05 (.317)	8.92 (.351)	42	20.50 (.807)	23.00 (.906)	21.55 (.848)	22.42 (.883)
* 16	7.50 (.295)	10.00 (.394)	8.55 (.337)	9.42 (.371)	43	21.00 (.827)	23.50 (.925)	22.05 (.868)	22.92 (.902)
* 17	8.00 (.315)	10.50 (.413)	9.05 (.356)	9.92 (.391)	44	21.50 (.846)	24.00 (.945)	22.55 (.888)	23.42 (.922)
* 18	8.50 (.335)	11.00 (.433)	9.55 (.376)	10.42 (.410)	* 45	22.00 (.866)	24.50 (.965)	23.05 (.907)	23.92 (.942)
* 19	9.00 (.354)	11.50 (.453)	10.05 (.396)	10.92 (.430)	46	22.50 (.886)	25.00 (.984)	23.55 (.927)	24.42 (.961)
* 20	9.50 (.374)	12.00 (.472)	10.55 (.415)	11.42 (.450)	47	23.00 (.906)	25.50 (1.004)	24.05 (.947)	24.92 (.981)
* 21	10.00 (.394)	12.50 (.492)	11.05 (.435)	11.92 (.469)	48	23.50 (.925)	26.00 (1.024)	24.55 (.967)	25.42 (1.001)
* 22	10.50 (.413)	13.00 (.512)	11.55 (.455)	12.42 (.489)	49	24.00 (.945)	26.50 (1.043)	25.05 (.986)	25.92 (1.020)
* 23	11.00 (.433)	13.50 (.531)	12.05 (.474)	12.92 (.509)	* 50	24.50 (.965)	27.00 (1.063)	25.55 (1.006)	26.42 (1.040)
* 24	11.50 (.453)	14.00 (.551)	12.55 (.494)	13.42 (.528)					
* 25	12.00 (.472)	14.50 (.571)	13.05 (.514)	13.92 (.548)					
* 26	12.50 (.492)	15.00 (.591)	13.55 (.533)	14.42 (.568)					
* 27	13.00 (.512)	15.50 (.610)	14.05 (.553)	14.92 (.587)					
* 28	13.50 (.531)	16.00 (.630)	14.55 (.573)	15.42 (.607)					
* 29	14.00 (.551)	16.50 (.650)	15.05 (.593)	15.92 (.627)					
* 30	14.50 (.571)	17.00 (.669)	15.55 (.612)	16.42 (.646)					

*= Available number of poles,Circuits not found above please consult manufacturer

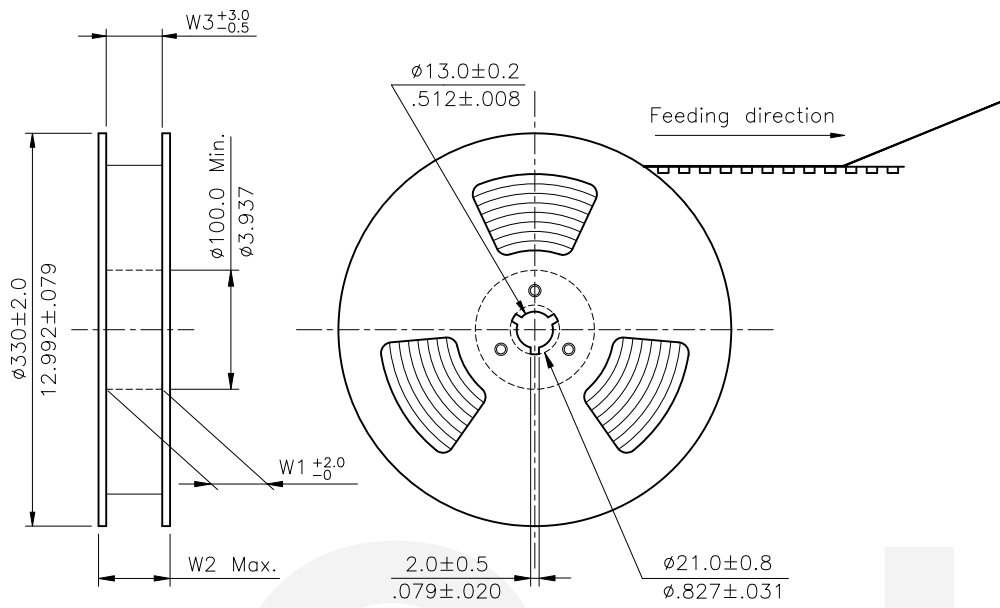
Halogen-Free

Lead Free Process

RoHS Compliant

△4	Eric	3/30-21'	ECRT121019/ECNT121087		DATE	UNIT: mm / inch	TITLE: 0.50mm(.020") ZIF FFC/FPC BACK FLIP CONNECTOR	 瀚荃股份有限公司 CviLux Corporation	
△3	Ken	12/5-18'	ECNT118286/ECRH118045	DRAWN BY: Eric	4/14-21'	TOLERANCE UNLESS OTHERWISE SPECIFIED	MATERIAL:		
△2	Sun	2/05-18'	ECNT118034	ENGINEER: Sun	4/19-21'	.X ± 0.25/.010 .X' ± 1'	FINISH:	DRAWING NO. CF4201SE	
△1	Sun	2/02-15'	ECRT214084/ECNT115024	CHECKED BY: Eisley	4/21-21'	.XX ± 0.15/.006 .X' ±		PART NO. CF42***H0R0-05-NH	
SYM	NAME	DATE	REVISIONS	APPROVED BY: Eisley	4/21-21'	.XXX ± .XX' ±	SCALE	12/ 1	SHEET 2 OF 3

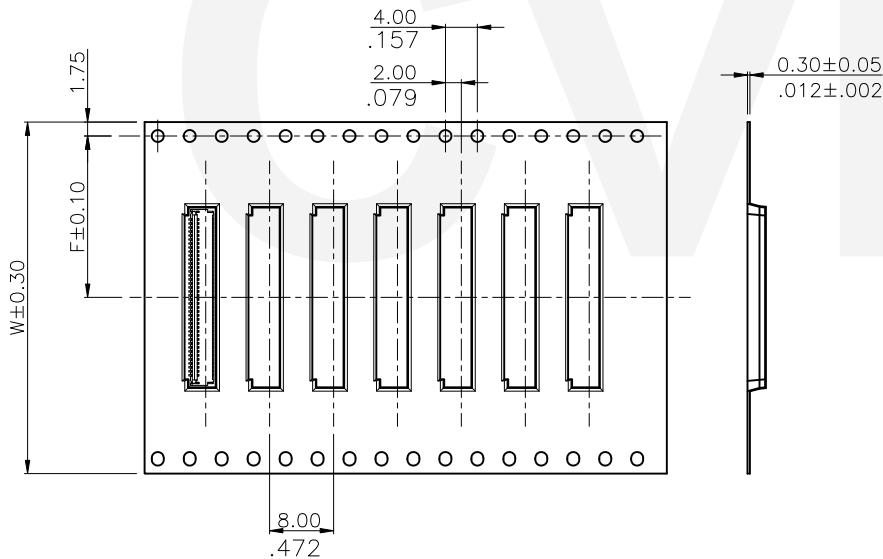
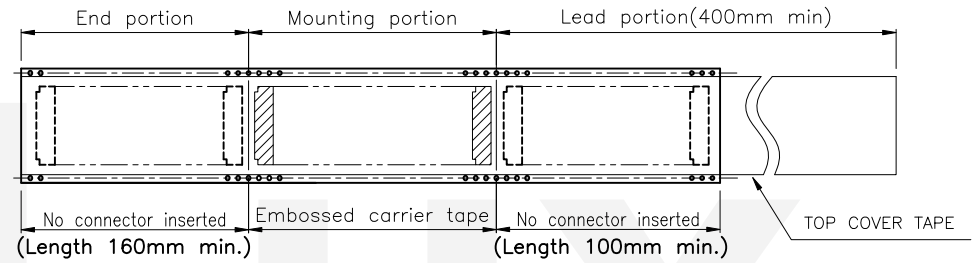
CIVILUX CORP
 2021.04.22
 ISSUED



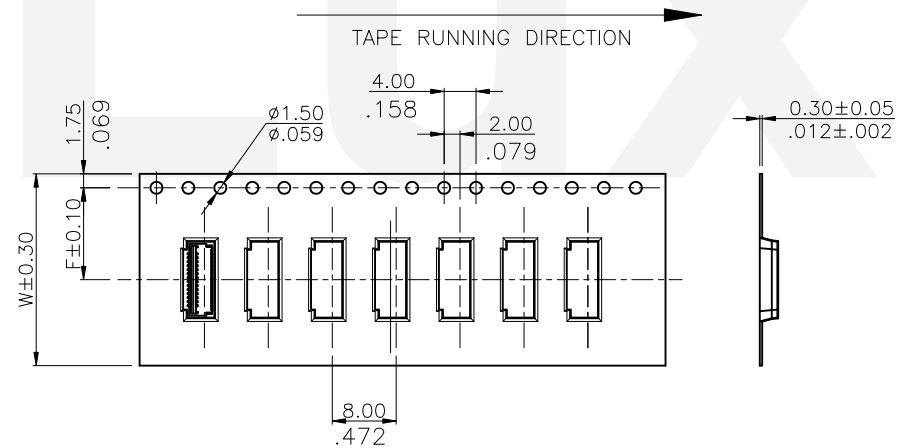
NOTE :

- * Reel Material : Corrugated Paper
- * Carrier Material : Clear, Conductive Polystyrene Alloy
- * Cover Tape Material : Polyester
- * Cover Tape Peel Strength : 0.1N – 1.3N
- * Carrier camber is within 1mm in 100mm
- * All dimensions meet EIA-481-2 & EIA-481-3 requirements
- * Quantity : 3500 PCS/Reel

Circuits	Dimension					Packing (Reel/Carton)
	W	F	W1	W2	W3	
4-11	16.0(.630)	7.50(.295)	16.5(.650)	22.5(.885)	16.5(.650)	11
12-27	24.0(.945)	11.50(.453)	24.5(.965)	30.5(1.200)	24.5(.965)	9
28-39	32.0(1.260)	14.20(.559)	32.5(1.280)	38.5(1.516)	32.5(1.280)	7
40~50	44.0(1.732)	20.20(.795)	44.5(1.752)	50.5(1.988)	44.5(1.752)	5




WIDTH : 32, 44, 56 mm Carrier
(SCALE 1:8)



WIDTH : 16, 24 mm Carrier
(SCALE 1:8)

RoHS Compliant

4	Eric	3/30-21'	ECRT121019/ECNT121087		DATE	UNIT: mm / inch	TITLE: 0.50mm(.020") ZIF FFC/FPC BACK FLIP CONNECTOR	 瀚荃股份有限公司 CviLux Corporation
3	Ken	12/5-18'	ECNT118286/ECRH118045	DRAWN BY: Eric	4/14-21'	TOLERANCE UNLESS OTHERWISE SPECIFIED	MATERIAL:	
2	Sun	2/05-18'	ECNT118034	ENGINEER: Sun	4/19-21'	.X ± 0.15/.006 X: ±	FINISH:	
1	Sun	2/02-15'	ECRT214084/ECNT115024	CHECKED BY: Eisley	4/21-21'	.XX ± 0.10/.004 X: ± 1'		
SYM	NAME	DATE	REVISIONS	APPROVED BY: Eisley	4/21-21'	.XXX ±		DRAWING NO. CF4201SE
								PART NO. CF42***H0R0-05-NH
								SCALE 12 / 1
								SHEET 3 OF 3

CVILUX CORP
2021.04.22
ISSUED