

Material :

- \* Body: High temperature plastic UL 94V-0, Color Nature
- \* Cover: High temperature plastic UL 94V-0, Color Black
- \* Contact: Phosphor Bronze
- \* Fixed tab: Brass with Matte Tin Plated over Nickel

Ordering Code

CF34 \*\* 1 D 0 R \* -05 -NH  
 ① ② ③ ④ ⑤ ⑥ ⑦ ⑧ ⑨

① Series No.

② No. of Circuits

△ ③ Plating code: 1 = 2.50μm(100μ") Min. Matte Tin plated over 1.27μm(50μ") Min. Nickel

2 = Gold flash over 1.27μm(50μ") Min. Nickel

④ Contact style: D= Downside contact

⑤ 0= Color Nature

⑥ Packing: T= Tube packing

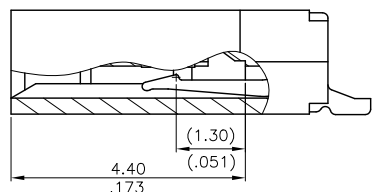
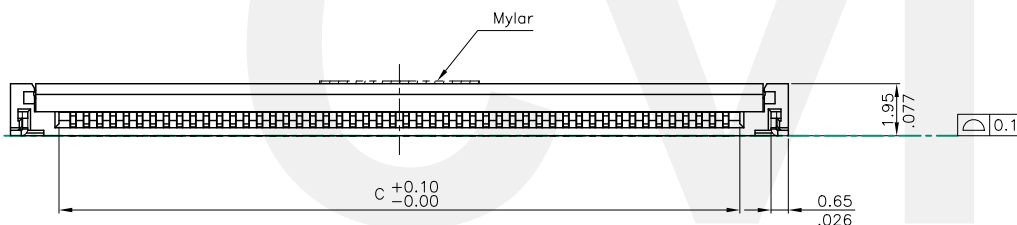
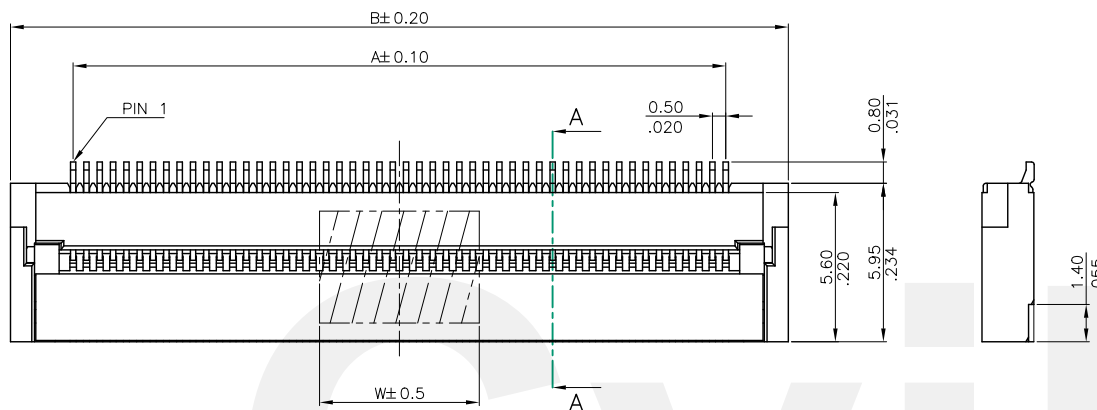
R= Tape & Reel packing

⑦ Option: 0= Without Mylar (Standard)

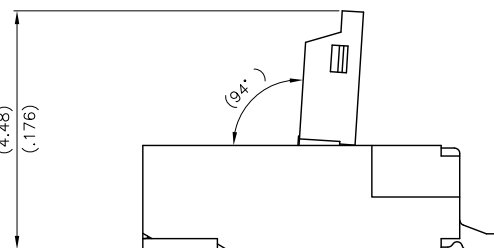
M= With Mylar

⑧ -05= Pitch 0.5mm

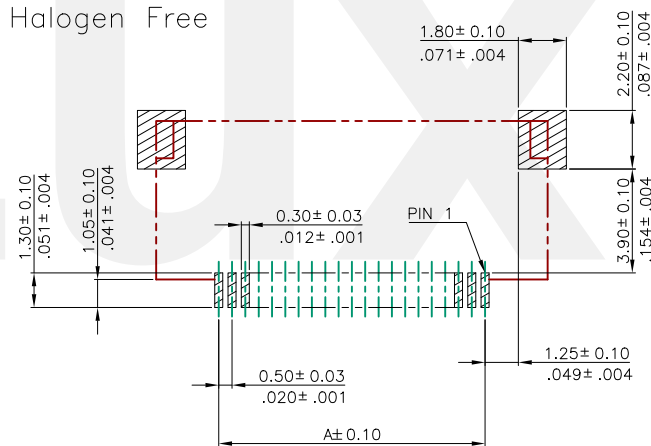
⑨ -NH= For Lead Free IR Processed and Halogen Free



SECTION A-A  
(SCALE 2:1)



OPENED STATE  
(SCALE 2:1)





Recommended P.C. Board Layout

Halogen-Free

Lead Free Process

RoHS compliant

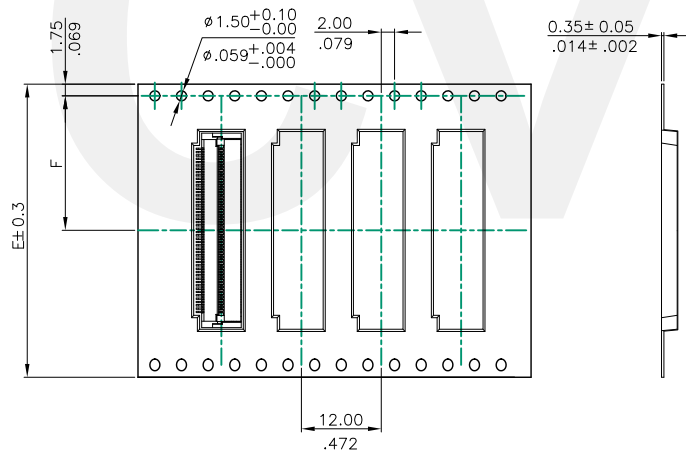
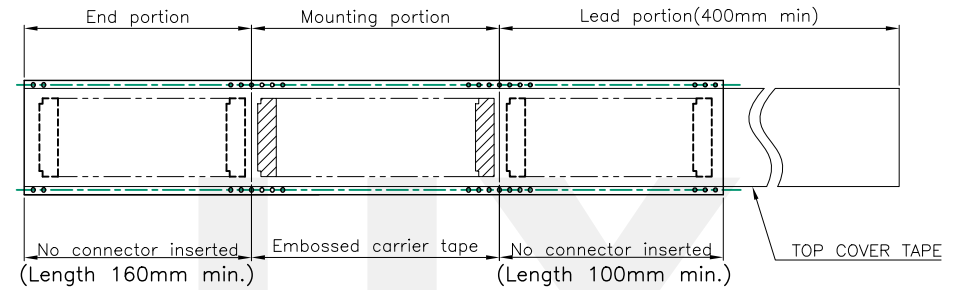
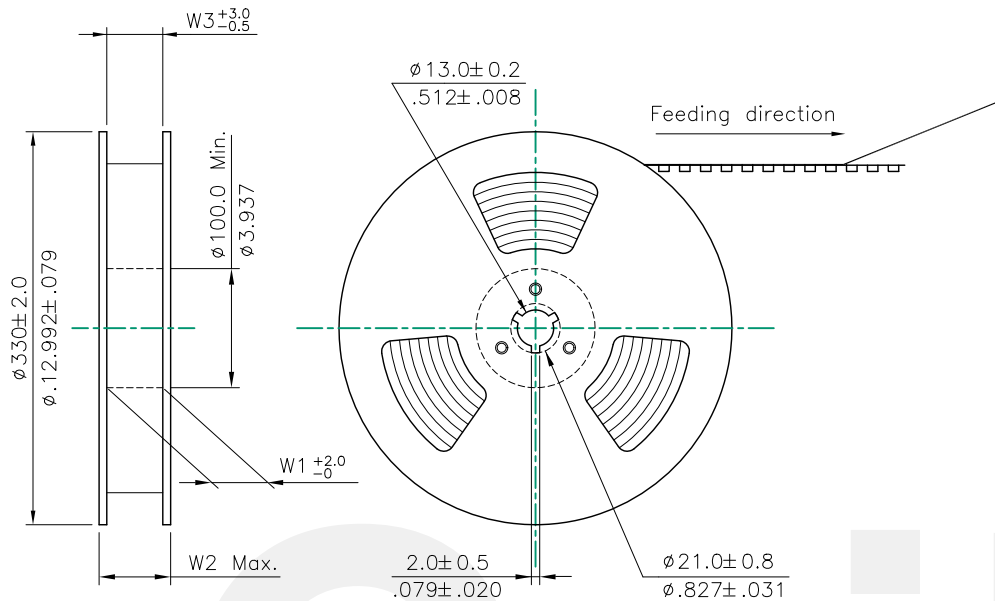
④					DATE	UNIT: mm / inch	TITLE: 0.50mm(.020") ZIF FFC/FPC ONE-TOUCH CONNECTOR	 瀚荃股份有限公司 CviLux Corporation
③					DATE	TOLERANCE UNLESS OTHERWISE SPECIFIED	MATERIAL:	
②	Claire	8/3-12'	ECR12052-5		DRAWN BY: Claire	8/3-12'	DRAWING NO. CF3401SC	PART NO. CF34***D0**-05-NH
①	Claire	4/10-12'	ECR12018-5		ENGINEER: Francis	8/6-12'		
SYM	NAME	DATE	REVISIONS	APPROVED BY: Scott	8/6-12'	.XX ± 0.15/.006 X* ± 1'	FINISH:	SCALE 5 / 1
						.XXX ± .XX ±		SHEET 1 OF 3



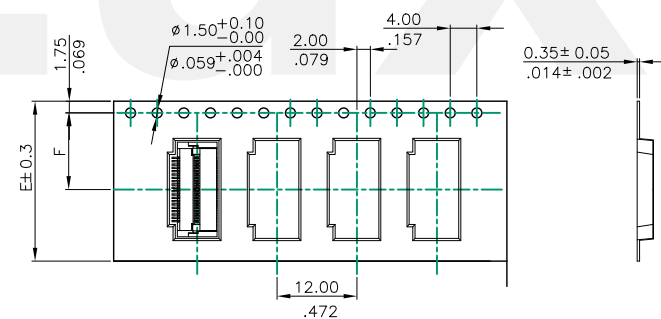
Notes:

1. 10 sprocket hole pitch cumulative tolerance  $\pm 0.2$
2. Camber not to exceed 1mm in 100mm.
3. Material: Advantek Polystyrene.
4. Pocket position relative to sprocket hole measured as true position of pocket, not pocket hole.
5. All dimensions meet EIA-481-B requirements.
6. Quantity: 2000 PCS/REEL

Circuits	Dimension					Packing (Reel/Caton)
	E	F	W1	W2	W3	
4-8	16.0(.630)	7.50(.295)	16.5(.650)	22.5(.885)	16.5(.650)	11
9-24	24.0(.945)	11.50(.453)	24.5(.965)	30.5(1.200)	24.5(.965)	9
25-32	32.0(1.260)	14.20(.559)	32.5(1.280)	38.5(1.516)	32.5(1.280)	7
33-56	44.0(1.732)	20.20(.795)	44.5(1.752)	50.5(1.988)	44.5(1.752)	5
57-60	56.0(2.205)	26.2(1.031)	56.5(2.224)	62.5(2.460)	56.5(2.224)	4



WIDTH : 32, 44, 56 mm Carrier  
(SCALE 1:4)



WIDTH : 16, 24 mm Carrier  
(SCALE 1:4)

RoHS Compliant

	NAME Claire	DATE 8/3-12' 8/6-12' 8/6-12' 8/6-12'	REVISIONS ECR12052-5 ECR12018-5		DRAWN BY: Claire	UNIT: mm / inch  TOLERANCE UNLESS OTHERWISE SPECIFIED .X ± 0.20/.008 X* ± .XX ± 0.15/.006 X* ± 1' .XXX ± .XX ±	TITLE: 0.50mm(.020") ZIF FFC/FPC ONE-TOUCH CONNECTOR  MATERIAL:  FINISH:	瀚荃股份有限公司 CviLux Corporation	DRAWING NO. CF3401SC SCALE 5 / 1	PART NO. CF34***D0**-05-NH SHEET 3 OF 3
					ENGINEER: Francis					
					CHECKED BY: Jerry					
					APPROVED BY: Scott					
					DATE: 8/3-12', 8/6-12', 8/6-12'					