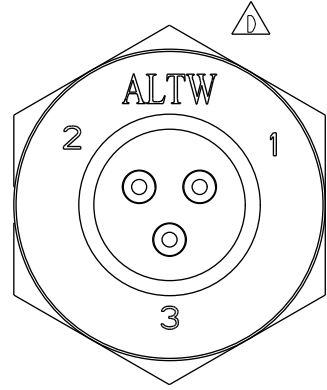
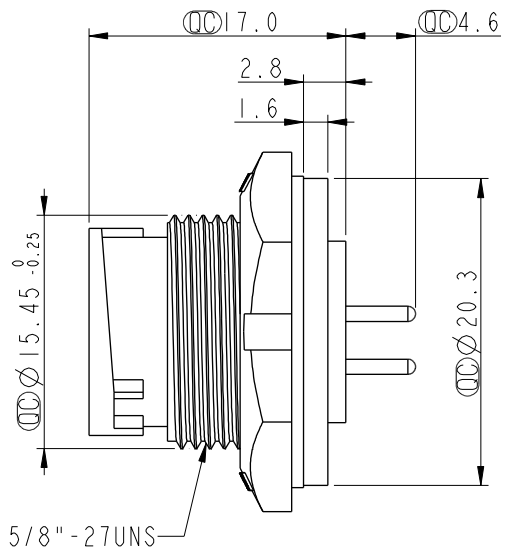
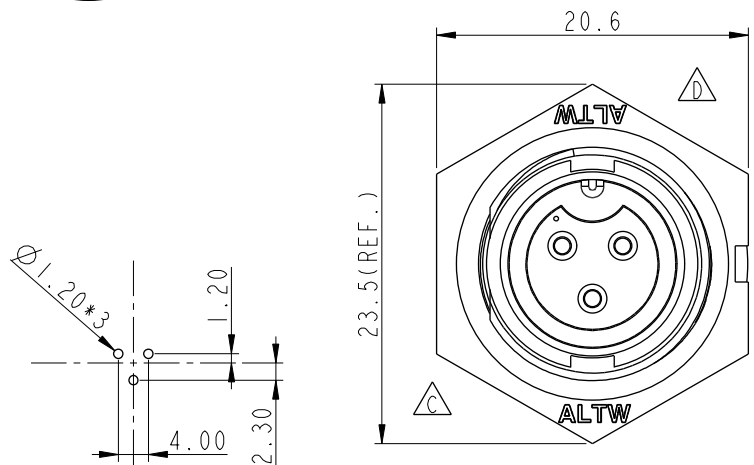
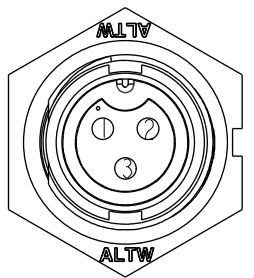


ALTW
 CONFIDENTIAL
 2019-02-22
 R&D DEPT.

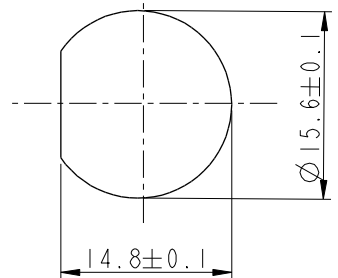
REV.	ECN NO.	DATE	SIGN	DESCRIPTION
C	LE3-8C0063	2008/11/07	TOMMY	Change To Pin Hole
D	LEN1730296	2017/03/21	Ruru	Change Logo
E	CI90274	2019/02/22	Ruru	Modify Note



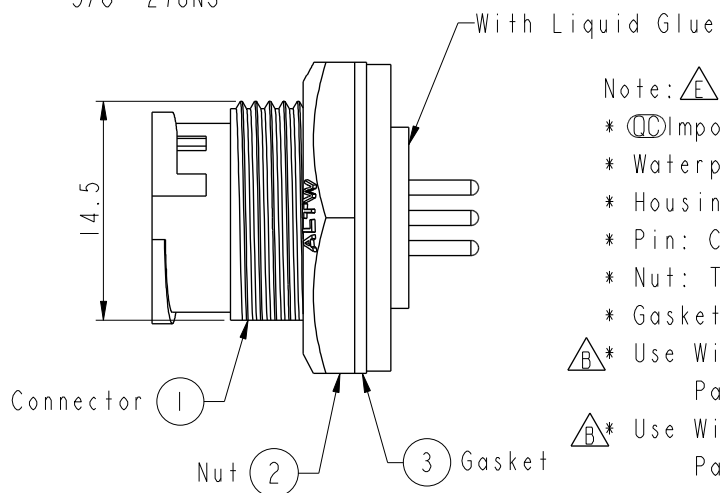
3Pin Male Connector
 Female Pin PCB Layout



Pin Assignments
 Front View



Recommended Panel Cut-out



- Note: \triangle
- * ⌀ Important Dimension To Check.
 - * Waterproof Rate: IP67, Unmated
 - * Housing: Thermoplastic, Black
 - * Pin: Copper Alloy, Gold Plated
 - * Nut: Thermoplastic, Black
 - * Gasket: Rubber, Black
 - \triangle * Use With Waterproof Cap Or Dust Cap
 Panel Thickness Max: 3.0mm
 - \triangle * Use Without Waterproof Cap Or Dust Cap
 Panel Thickness Max: 4.5mm
 - * Gasket and Nut are packed separately in PE bags.

UNIT:mm	⌀	⌀
TOLERANCE		
.X	± 0.25	
.XX	± 0.1	
.XXX	± 0.05	
ANGLES	$\pm 1^\circ$	

TITLE Standard Panel Lock 3Pin M Conn F Pin			
SCALE 2:1	SIZE A4	SHEET 1 OF 1	
REV. E	WC-REV. A.3	⌀ : Inspection item	

Amphenol LTW
 安費諾亮泰企業股份有限公司

ITEM NO BD-03PMFP-LC7001	DRAWN BY Ruru	DATE 2019-02-22
DWG NO BD-03PMFP-LC7001	CHECKED BY Rita	DATE 2019-02-22
CUSTOMER ALTW	APPROVED BY Max	DATE 2019-02-22

THIS DOCUMENT IS SUBJECT TO CHANGE WITHOUT NOTICE. IT IS CONFIDENTIAL AND A PROPERTY OF Amphenol LTW. DISCLOSURE TO THIRD PARTY HAS TO BE AUTHORIZED BY Amphenol LTW.