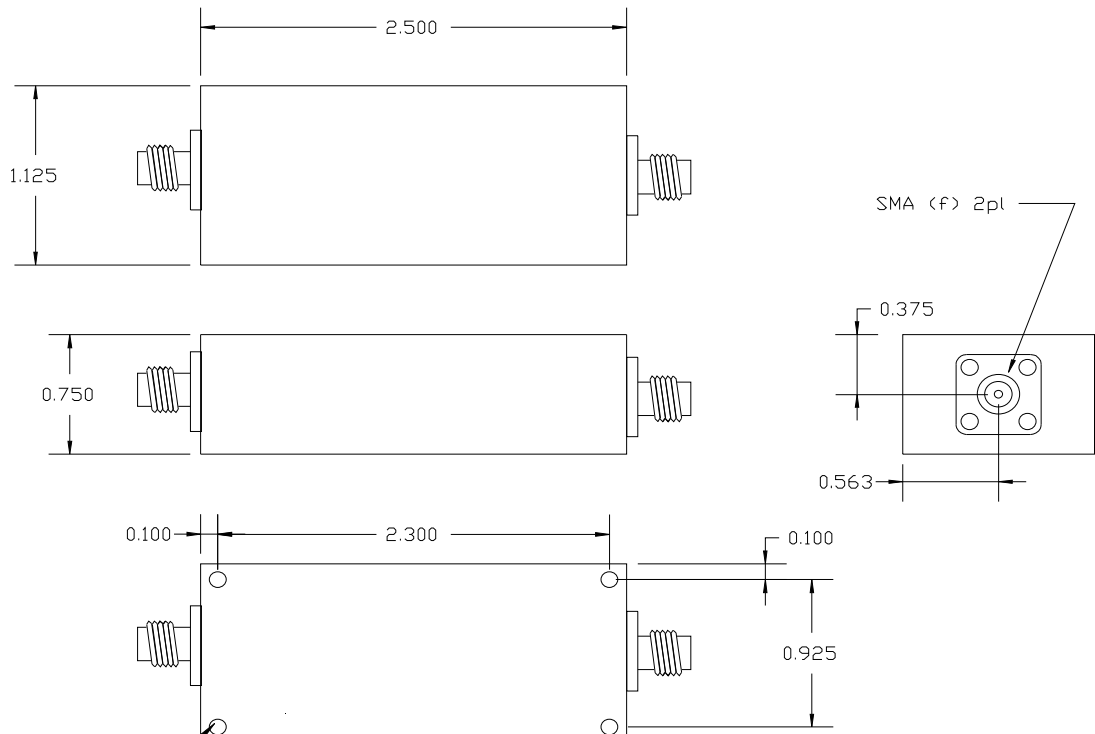




Part Number – AE30NS2055

30 MHz Bandstop/Notch Filter

Notch Center Frequency (Fo)	30MHz
Notch Bandwidth	29-31MHz
Passband low side of Notch	0-15MHz
Passband high side of Notch	45-150MHz
Passband Insertion loss	<3dB
Passband Return loss	>14dB
Size	4x1.125x0.75
Connector	SMA, Panel Receptacle, 4 hole



2-56 tap .15dp 4pl

DWG 987789