

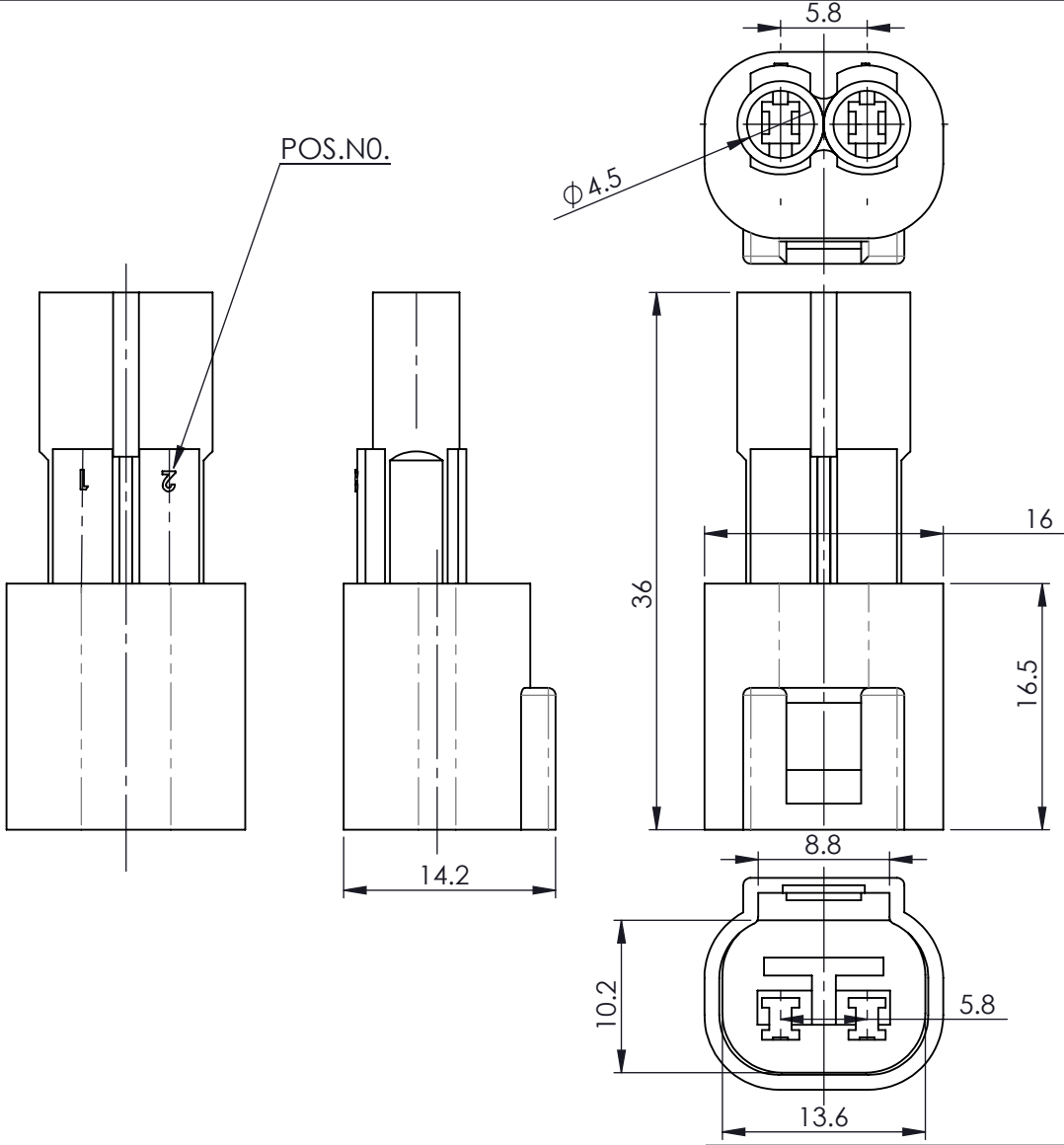
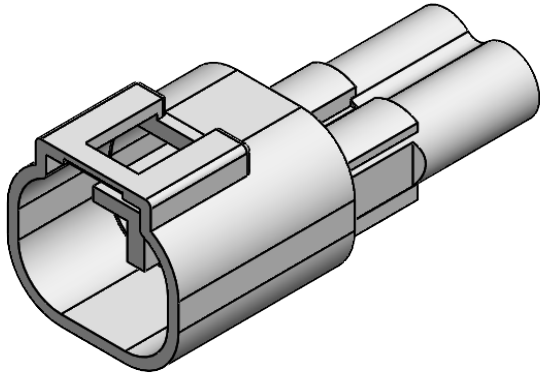
THIS IS A C.A.D. GENERATED DRAWING  
DO NOT MAKE MANUAL REVISIONS TO MASTER.



|              |   |
|--------------|---|
| ISSUE NUMBER |   |
| ORIGINAL     | ① |

MATERIALS:  
1. HOUSING: PBT, UL94V-0

- SPECIFICATIONS
- PITCH: 5.8MM
  - RATED VOLTAGE: 300V
  - RATED CURRENT: 10A MAX
  - WITHSTAND VOLTAGE: AC 1700V R.M.S.
  - CONTACT RESISTANCE: 10 mOHMS MAX
  - INSULATION RESISTANCE:  
1000 MOHMS MIN/DC 500V
  - TEMPERATURE RANGE: -40°C ~ +105°C
  - WATERPROOF GRADE: TESTED AND  
CERTIFIED TO IP67



POS.NO.

Waterproof Connector, Plug, 2 Pin, Wire Mount  
570-002-000-100

**EDAC** EDAC INC  
TORONTO, ONTARIO  
CANADA  
YOUR CONNECTION TO QUALITY & SERVICE

THESE DRAWINGS AND SPECIFICATIONS  
ARE THE PROPERTY OF EDAC INC. AND  
SHALL NOT BE REPRODUCED, OR COPIED  
OR USED AS THE BASIS FOR THE  
MANUFACTURE OR SALE OF APPARATUS  
WITHOUT WRITTEN PERMISSION.

|                     |                 |
|---------------------|-----------------|
| ACAD REFERENCE NO.  | 570-002-000-100 |
| DRAWN: R.STA.MONICA | DATE: OCT.15/10 |
| CHECKED:            | DATE:           |
| SCALE: NOT TO SCALE | SHEET 1 OF 1    |
| DRAWING NUMBER      | ISSUE           |
| 570-002-000-100     | 1               |



THIS SERIES FULLY CONFORMS TO THE  
EUROPEAN UNION DIRECTIVES 2002/95/EC  
AND 2002/96/EC FOR RoHS COMPLIANCY