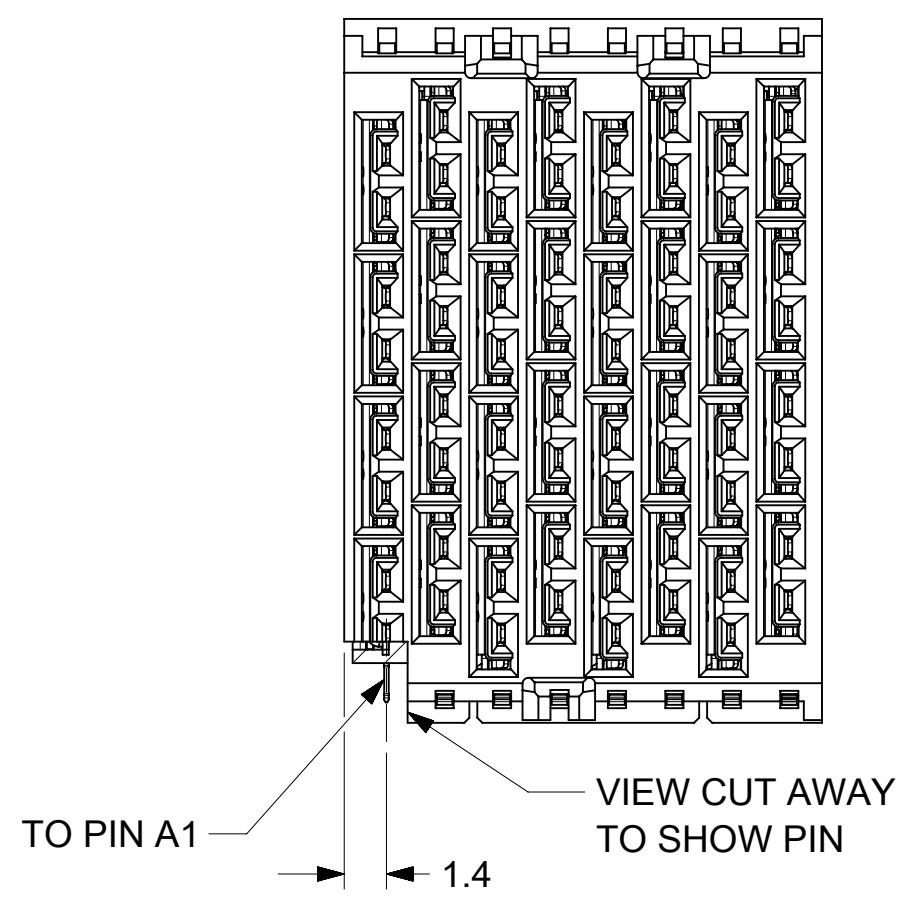
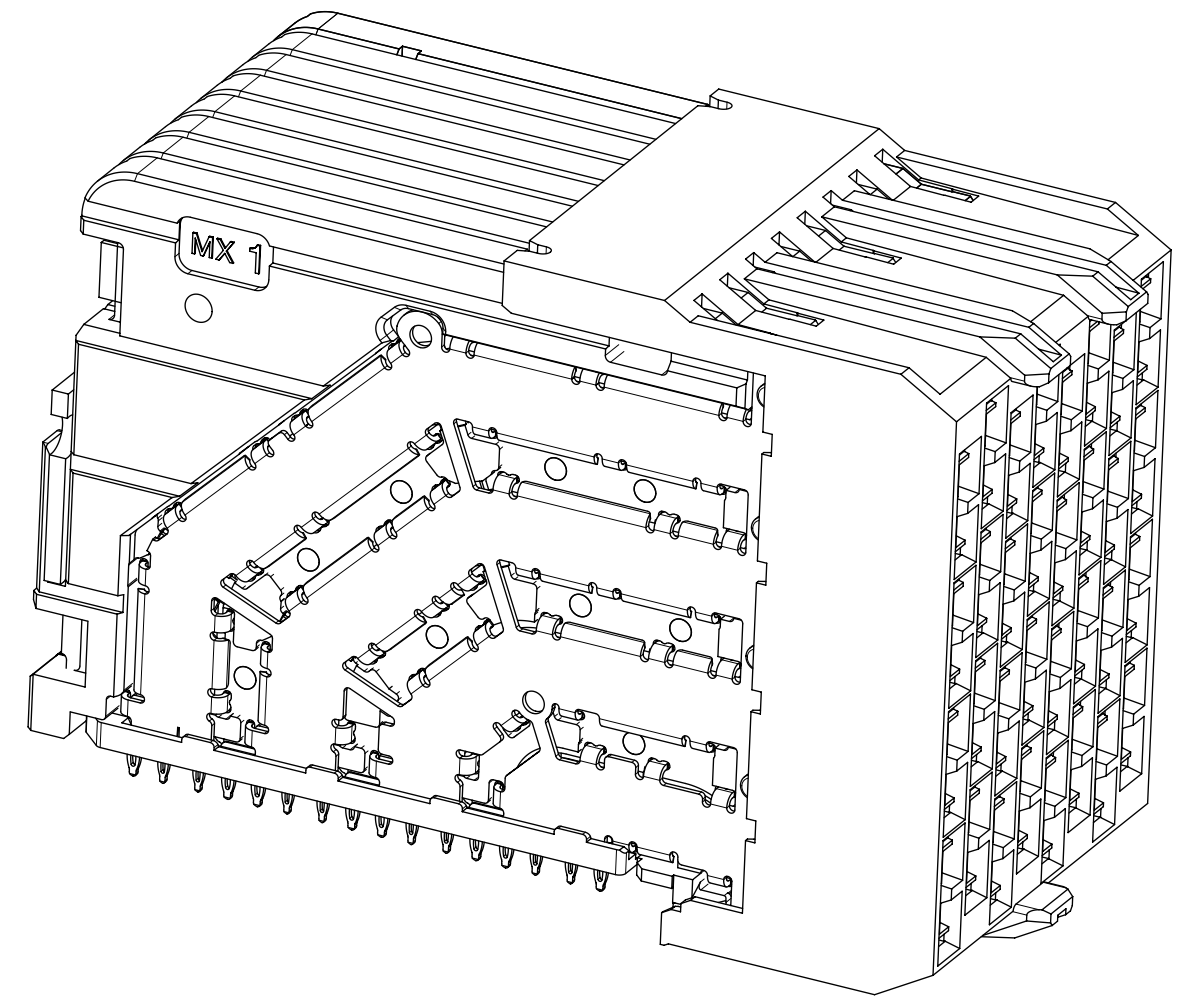


NOTES:

1. MATERIALS: HOUSING - LIQUID CRYSTAL POLYMER (LCP)  
GLASS-FILLED, UL94V-0  
TERMINALS - HIGH PERFORMANCE COPPER ALLOY
2. FINISH: 30uIN GOLD IN CONTACT AREA.  
SELECTIVE TIN ON PCB TAILS.  
NICKEL OVERALL.
3. REFER TO MOLEX PRODUCT SPECIFICATION PS-172740-999 FOR PERFORMANCE SPECIFICATIONS.
4. THIS PART CONFORMS TO CLASS B REQUIREMENTS OF MOLEX COSMETIC SPEC PS-45499-002.
5. PRODUCT WILL BE PACKAGED PER PK-78888-085.
6. SEE SHEET 2 FOR HOLE PATTERN DIMENSIONS.
7. MATES WITH IMPEL BP SERIES NUMBER 171315.
8. REFER TO IMPEL PCB ROUTING GUIDE AS-172730-990 FOR ANTIPAD, ROUTING RECOMMENDATIONS, AND ADDITIONAL PCB INFORMATION.
9. WHEN STACKING MODULES END TO END, THE MINIMUM COLUMN TO COLUMN HOLE SPACING IS 2.65mm.
10. COMPONENT PLACEMENT AND TRACE KEEP OUT ZONE; DO NOT PLACE ANY OTHER COMPONENT OR ROUTE ANY TOP LAYER TRACES IN THIS AREA.



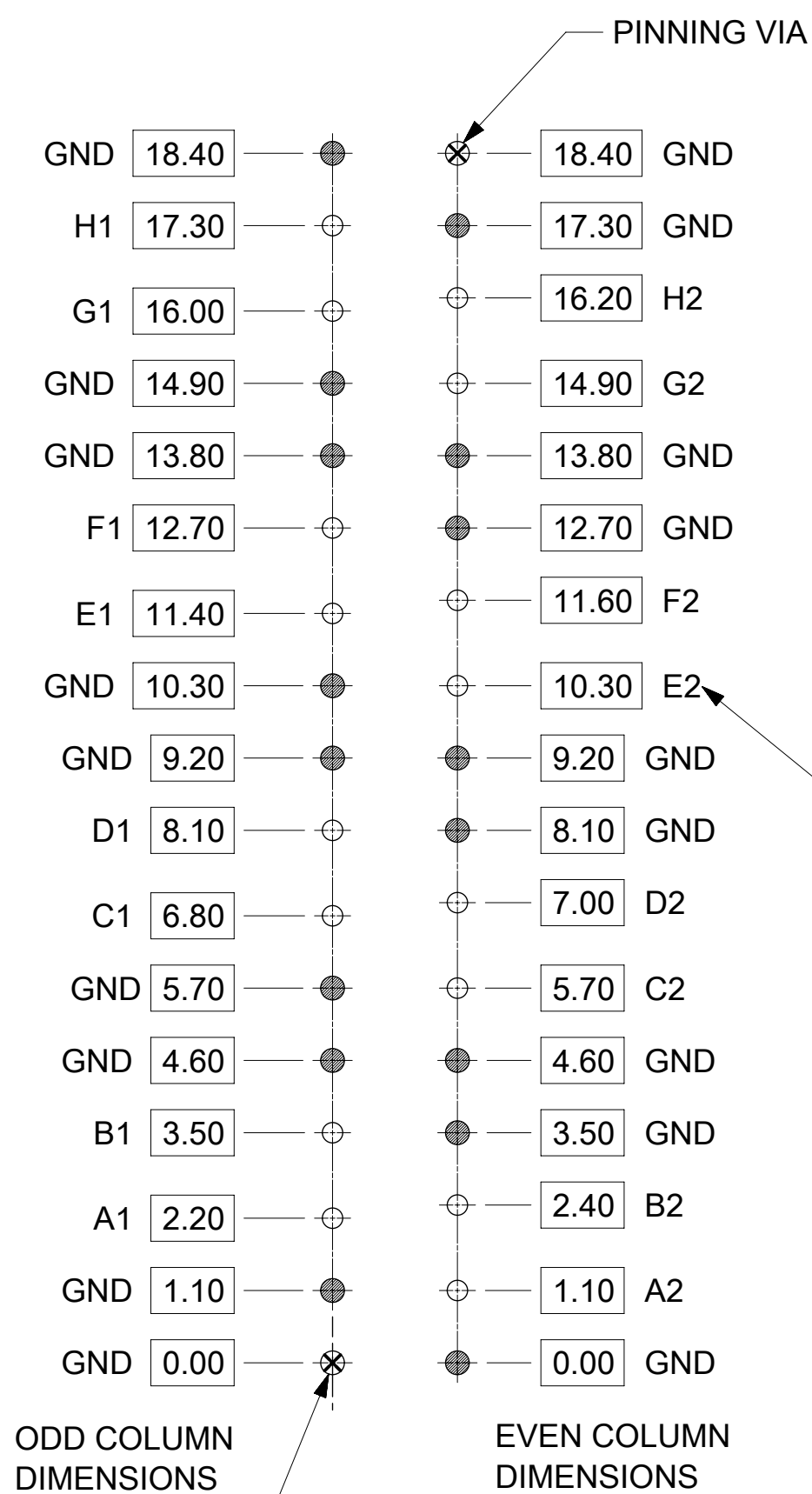
THIS DRAWING CONTAINS INFORMATION THAT IS PROPRIETARY TO MOLEX ELECTRONIC TECHNOLOGIES, LLC AND SHOULD NOT BE USED WITHOUT WRITTEN PERMISSION									
DIMENSION UNITS		SCALE		CURRENT REV DESC:					
mm		NTS							
GENERAL TOLERANCES (UNLESS SPECIFIED)				EC NO: 625061				IMPEL PLUS 4P 1.9MM PITCH	
ANGULAR TOL ± °				DRWN: HLG0H 2019/10/03					
4 PLACES ±				CHK'D: YLLIM 2019/10/03				PRODUCT CUSTOMER DRAWING	
3 PLACES ±				APPR: YLLIM 2019/11/04					
2 PLACES ± 0.13				INITIAL REVISION:				DOCUMENT NUMBER	
1 PLACE ± 0.25				DRWN: MKRAUSE 2017/06/13					
0 PLACES ±				APPR: TELO 2017/12/12				2040661001-SD	
DRAFT WHERE APPLICABLE MUST REMAIN WITHIN DIMENSIONS		THIRD ANGLE PROJECTION		DRAWING		SERIES		MATERIAL NUMBER	
				C-SIZE		204066		SEE TABLE	
DOCUMENT STATUS		RELEASE DATE		CUSTOMER		SHEET NUMBER		DOC TYPE   DOC PART   REVISION	
P1		2019/11/04 01:59:32		GENERAL MKT		1 OF 2		PSD 000 A5	

MATERIAL	NUMBER OF COLUMNS	NUMBER OF DIFF PAIRS	DIM "A"	DIM "B"
204066-1136	6	24	12.15 MAX	9.50
204066-1138	8	32	15.95 MAX	13.30
204066-1120	10	40	19.75 MAX	17.10
204066-1122	12	48	23.55 MAX	20.90
204066-1124	14	56	27.35 MAX	24.70
204066-1126	16	64	31.15 MAX	28.50

204066-11\*\*

MODULE TYPE  
1= UNGUIDED

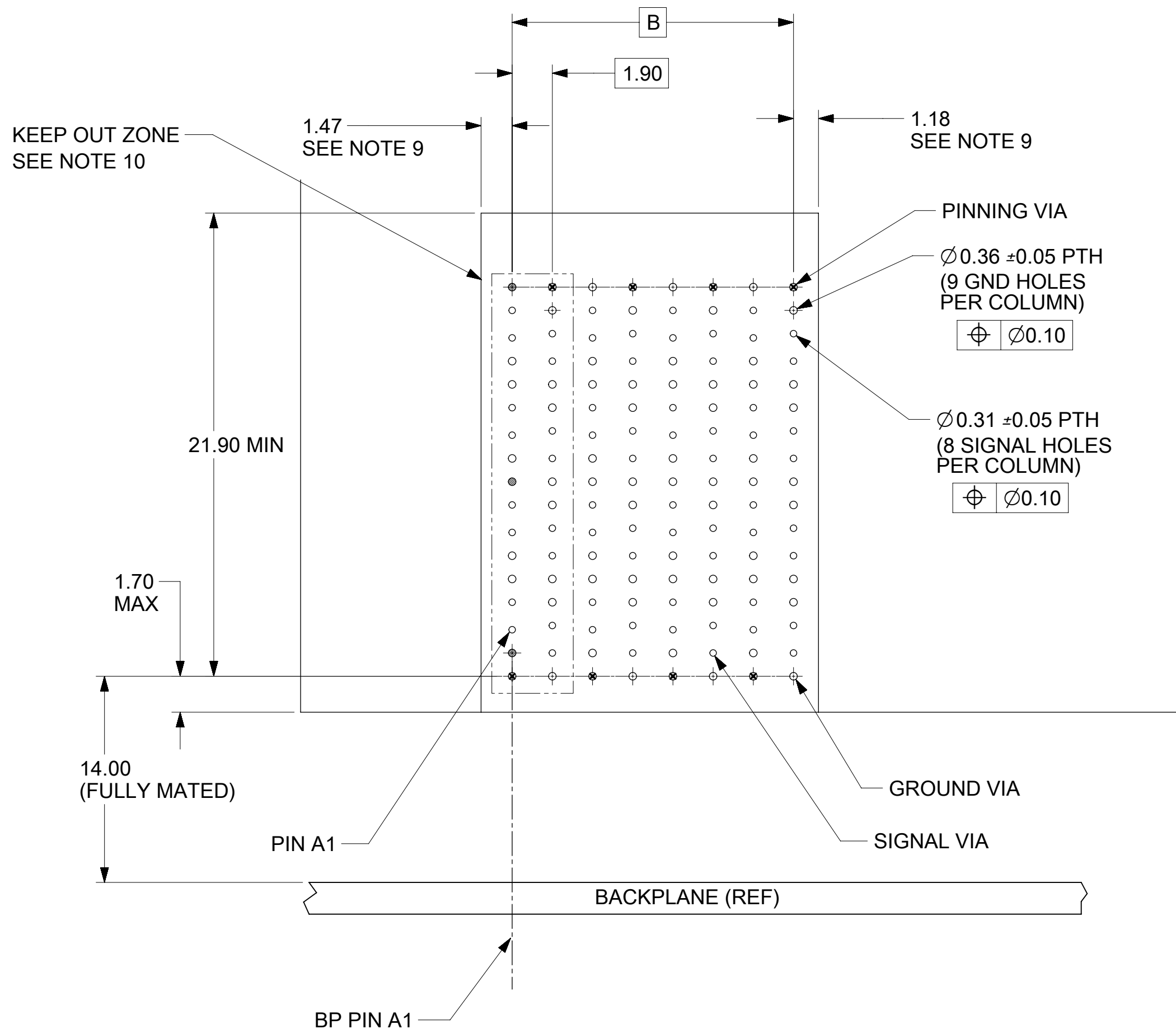
COLUMN SIZE  
20=10 COLUMN  
22=12 COLUMN  
24=14 COLUMN  
26=16 COLUMN  
38= 8 COLUMN  
36= 6 COLUMN



ODD COLUMN DIMENSIONS

EVEN COLUMN DIMENSIONS

PINNING VIA  
DETAIL A  
SCALE 10:1



DAUGHTERCARD HOLE PATTERN  
(CONNECTOR SIDE)

ACTUAL PIN NUMBER  
DEPENDENT UPON  
CONNECTOR COLUMN SIZE

THIS DRAWING CONTAINS INFORMATION THAT IS PROPRIETARY TO MOLEX ELECTRONIC TECHNOLOGIES, LLC AND SHOULD NOT BE USED WITHOUT WRITTEN PERMISSION													
DIMENSION UNITS		SCALE		CURRENT REV DESC:				molex					
mm	NTS												
GENERAL TOLERANCES (UNLESS SPECIFIED)				EC NO: 625061				IMPEL PLUS 4P 1.9MM PITCH					
ANGULAR TOL	±	°		DRWN: HLG0H		2019/10/03							
4 PLACES	±			CHK'D: YLLIM		2019/10/03							
3 PLACES	±			APPR: YLLIM		2019/11/04		PRODUCT CUSTOMER DRAWING					
2 PLACES	±	0.13		INITIAL REVISION:				DOCUMENT NUMBER					
1 PLACE	±	0.25		DRWN: MKRAUSE		2017/06/13		2040661001-SD		DOC TYPE	DOC PART	REVISION	
0 PLACES	±			APPR: TELO		2017/12/12		PSD	000	A5			
DRAFT WHERE APPLICABLE MUST REMAIN WITHIN DIMENSIONS				THIRD ANGLE PROJECTION		DRAWING		SERIES		MATERIAL NUMBER		CUSTOMER	SHEET NUMBER
				C-SIZE		204066		SEE TABLE		GENERAL MKT		2 OF 2	