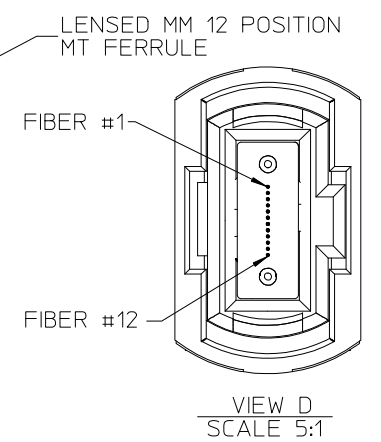
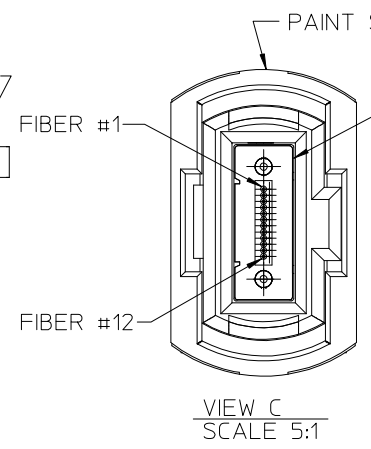
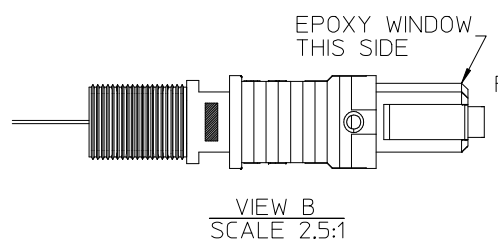
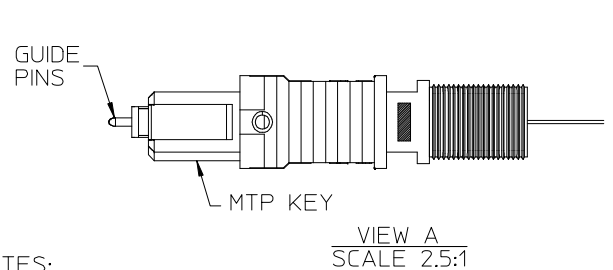
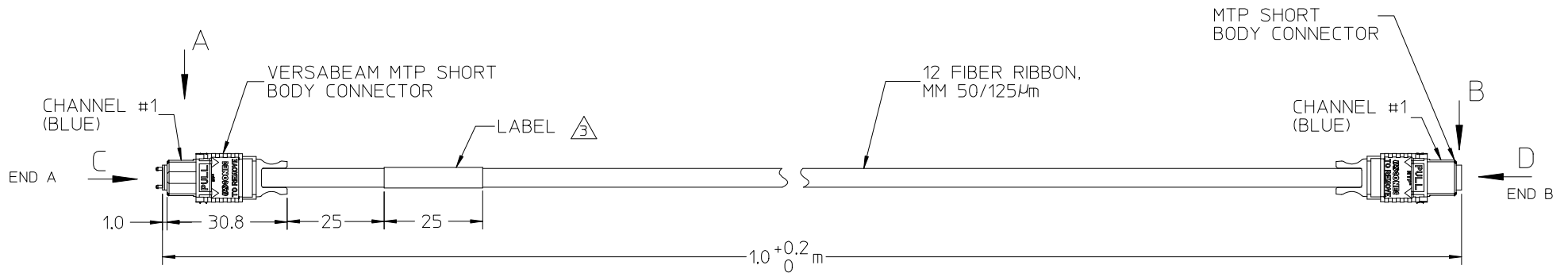


MOLEX P/N	END A COOECTOR TYPE	END B COOECTOR TYPE
106268-0002	MALE	FEMALE
106268-0003	FEMALE	FEMALE



- NOTES:
- DUST CAPS ARE NOT SHOWN BUT INCLUDED.
 - CONNECTOR SPECIFICATIONS:
 -MAXIMUM INSERTION LOSS @ 850nm PER CONNECTOR/CHANNEL:
 MTP LENSED- 1.0dB;
 MTP- 0.5dB.
 - TEMPERATURE RANGE:
 -5°C TO +60°C.
 - LABEL IS PRINTED WITH MOLEX NAME, PART NUMBER AND SERIAL NUMBER.
 TEST DATA IS SENT WITH EACH SHIPMENT.
 - THE VERSABEAM MT INTERFACE UTILIZES A LENS WITH A COLLIMATED BEAM AND CAN ONLY BE MATED TO ANOTHER VERSABEAM MT WITH A COLLIMATING LENS.

ENTER DESCRIPTION EC NO: MF2014-0155 DRAWN: IGUMIN 2013/09/16 CHKD: IGUMIN APPR: IGUMIN 2013/09/17	QUALITY SYMBOLS	GENERAL TOLERANCES (UNLESS SPECIFIED)	DIMENSION STYLE	SCALE	DESIGN UNITS	THIRD ANGLE PROJECTION				
	▼=0 ▽=0	mm INCH 4 PLACES ± --- ± --- 3 PLACES ± --- ± --- 2 PLACES ± --- ± --- 1 PLACE ± --- ± --- 0 PLACE ± ±	MM ONLY DRAWN BY DATE YBEDNYAK 2010/10/12 CHECKED BY DATE APPROVED BY DATE 2010/10/12	1:1	INCH	THIS DRAWING CONTAINS INFORMATION THAT IS PROPRIETARY TO MOLEX INCORPORATED AND SHOULD NOT BE USED WITHOUT WRITTEN PERMISSION				
							ANGULAR ±1/2°	MATERIAL NO.	DOCUMENT NO.	SHEET NO.
							DRAFT WHERE APPLICABLE MUST REMAIN WITHIN DIMENSIONS	SEE TABLE	SD-106268-0002	1 OF 1