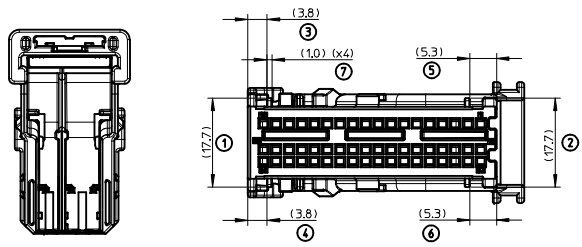
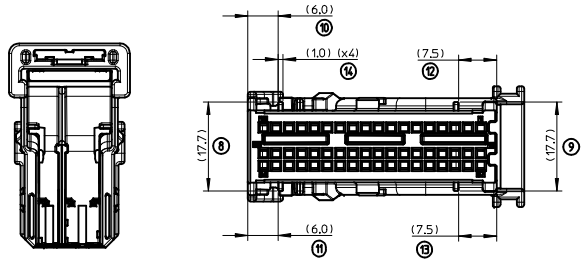


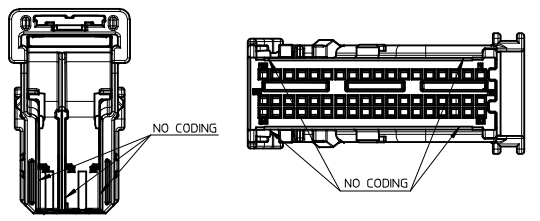
PART NUMBER:	098982 5011	CODING:	BLACK
MODULES PIN TO BE USED:	098982 5055	18W	GREEN
	098982 5065	38W	GREEN



PART NUMBER:	098982 5012	CODING:	GREY
MODULES PIN TO BE USED:	098982 5056	18W	BLUE
	098982 5066	38W	BLUE

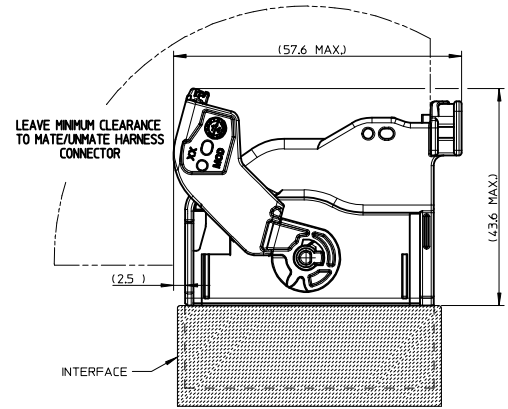


PART NUMBER:	098982 5019	CODING:	PURPLE (UNIVERSAL)
MODULES PIN TO BE USED:	098982 5055 OR 098982 5066	18W	GREEN - BLUE
	098982 5065 OR 098982 5066	38W	GREEN - BLUE

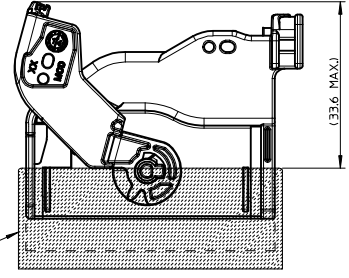


CODING OPTIONS (VIEWS WITHOUT LOCKING LEVER)

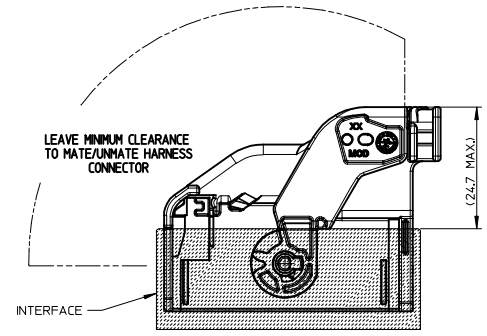
CLEARANCE FOR CONNECTOR MATE AND UNMATE



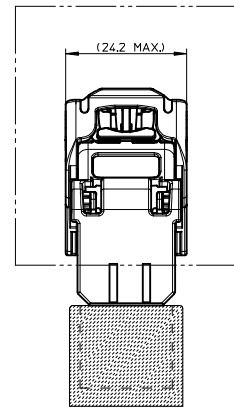
PRE-LOCKING POSITION



CONNECTOR FULLY MATED



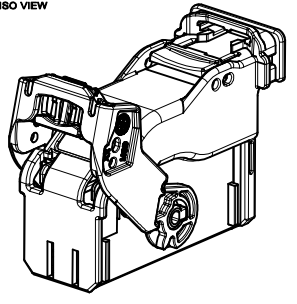
LEAVE MINIMUM CLEARANCE TO MATE/UNMATE HARNESS CONNECTOR



MODIFICATIONS

REV.	DESCRIPTIONS	NAME	DATE
A	-DOCUMENT FIRST RELEASE.	GD	2017/02/13

ISO VIEW



DOC FIRST RELEASE EC NO: G2017-0052 DRWNG: GDESBRUERES 2017/02/13 CHKD: CBOUCHAN 2017/02/13 APPR: SLAFAURE 2017/03/14	QUALITY SYMBOLS	GENERAL TOLERANCES (UNLESS SPECIFIED)	DIMENSION STYLE	SCALE	DESIGN UNITS	FIRST ANGLE PROJECTION
	▽=0	mm INCH	MM ONLY	2:1	METRIC	
	▽=1	4 PLACES ± --- ± ---	DRAWN BY DATE	GDESBRUERES 2017/02/13	TITLE	
	▽=2	3 PLACES ± --- ± ---	CHECKED BY DATE	CBOUCHAN 2017/02/13	54CKT MQS FEMALE CONNECTOR	
▽=3	2 PLACES ± --- ± ---	APPROVED BY DATE	SLAFAURE 2017/03/14	DOCUMENT NO.		SHEET NO.
▽=4	1 PLACE ± --- ± ---	0 PLACE ± --- ± ---	ANGULAR ± --- °	SD-98982-005		
▽=5	DRAFT WHERE APPLICABLE MUST REMAIN WITHIN DIMENSIONS		SEE CHART	THIS DRAWING CONTAINS INFORMATION THAT IS PROPRIETARY TO MOLEX INCORPORATED AND SHOULD NOT BE USED WITHOUT WRITTEN PERMISSION		1 OF 2

