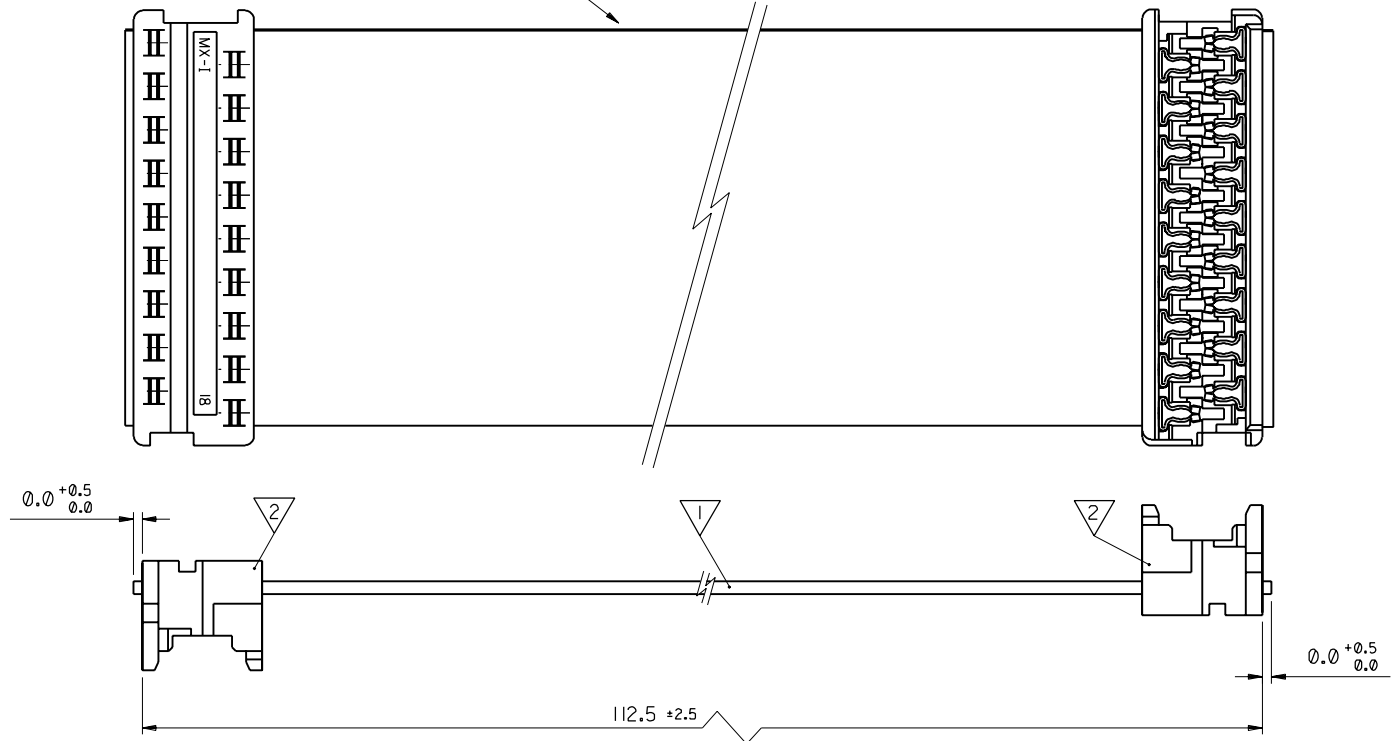


PART NO. 92301-0106
 DWG. NO. SD-92301-157

CIRCUIT IDENTIFICATION



ITEM	COMPONENT	DESCRIPTION	QTY	NOTE
1	99026-0026	18 CCT 28 AWG STRANDED TINNED RIBBON CABLE	1	3, 4
2	90327-0381	PICOFLEX FEMALE IDT CONNECTOR	2	1, 2, 4

NOTES:

- SEE PRODUCT SPECIFICATIONS PS-99020-0011.
- SEE TERMINATION SPECIFICATION ES-99033-0001.
- SEE CABLE SPECIFICATION ES-99027-0006.
- HARNESSES TO BE 100% ELECTRICALLY TESTED.

CUSTOMER P/N: 4352-015

ORIGINAL RELEASE
 EC NO. 1999-0520
 DRWN: D.RYAN 99/06/08
 CHK: / / / /
 APPR: / / / /
 A2

QUALITY SYMBOLS
 MAJOR =
 CRITICAL =
 C

GENERAL TOLERANCES:
 (UNLESS SPECIFIED)

	mm	INCH
4 PLACES	±0.	±.
3 PLACES	±0.	±.
2 PLACES	±0.	±.
1 PLACE	±0.	±.

ANGULAR: ± 1/2°
 DRAFT WHERE APPLICABLE MUST REMAIN WITHIN DIMENSIONS

SCALE 4 : 1
 DESIGN UNITS mm INCH
 DRAWN BY & DATE D.RYAN 99/03/08
 CHECKED BY & DATE J.HORGAN 99/03/08
 APPROVED BY & DATE MWILHITE 99/03/08
 CAD FILENAME S2301106.DGN

DIMENSIONS:
 mm INCH mm ONLY
 THIRD ANGLE PROJECTION
 TITLE: 18 CCT RIBBON CABLE HARNESS
 MOLEX INCORPORATED
 MATERIAL NO. 92301-0106
 DRAWING NO. SD-92301-157
 SHEET NO. 1 OF 1
 THIS DRAWING CONTAINS INFORMATION THAT IS PROPRIETARY TO MOLEX INCORPORATED AND SHOULD NOT BE USED WITHOUT WRITTEN PERMISSION.