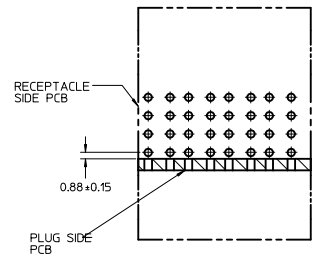
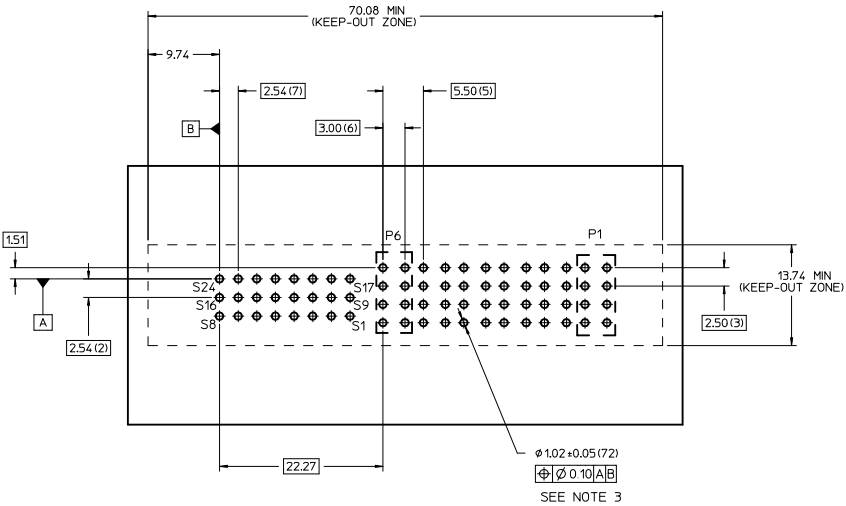


P/N: 46562-3009



SECTION Z-Z



RECOMMENDED PCB LAYOUT AND KEEP-OUT ZONE

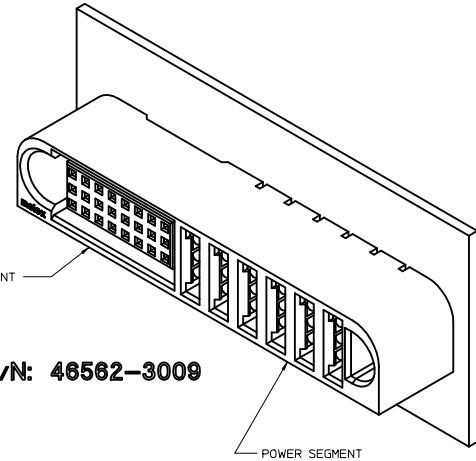
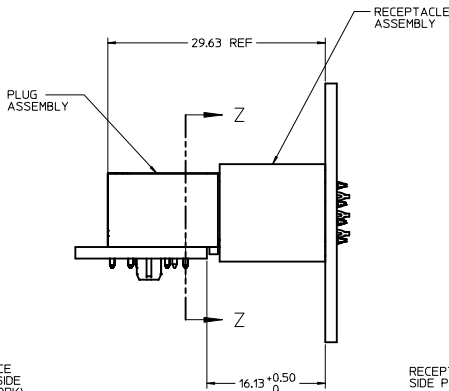
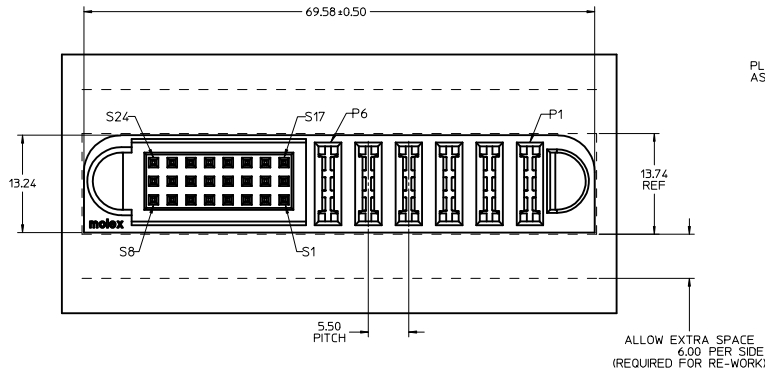
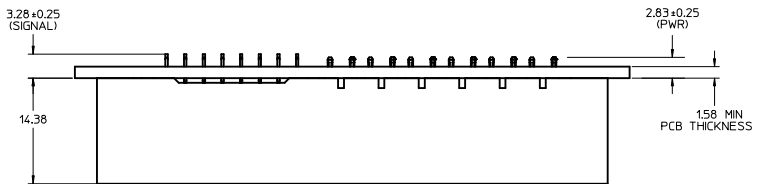
NOTES:

- MATERIAL:
-HOUSINGS: LCP UL94 V-0, COLOR: BLACK.
-TERMINALS: COPPER ALLOY.
-PLATING: 0.000127 NICKEL OVERALL WITH 0.00254 SELECTIVE TIN ON COMPLIANT PINS.
AND 0.000762 SELECTIVE GOLD ON CONTACT AREA.
- ASSEMBLIES PACKED IN TRAYS, SPQ: TBD.
- PC BOARD REQUIRES THRU HOLES. REFER TO PS-46436-100 FOR DETAILS.
- PRODUCT SPEC: PS-46436-100.
- APPLICATION SPEC: AS-46436-100.
- PRODUCT TO MEET RoHS REQUIREMENTS.
- ASSEMBLY MATES WITH PLUG ASSEMBLY. P/N 46437-3009.

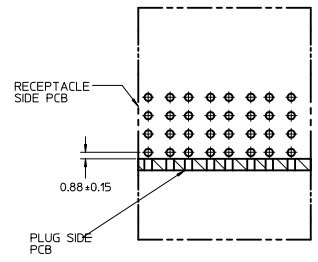
UPDATE DESCRIPTION IEC NO: UCP2010-1783 DRAWN: KIKOH/MS 2010/01/22 CHKD: LNG 2010/02/08 APPR: APATEL 2010/02/10 REV: B1	QUALITY SYMBOLS DESCRIPTION	GENERAL TOLERANCES (UNLESS SPECIFIED): mm INCH		DIMENSION STYLE MM ONLY	SCALE 3:1	DESIGN UNITS METRIC	THIRD ANGLE PROJECTION
		4 PLACES ± --- ± --- 3 PLACES ± --- ± --- 2 PLACES ± 0.25 ± --- 1 PLACE ± 0.25 ± --- ANGULAR ± 1/2°	DRAWN BY DATE KJKOH 2009/03/11 CHECKED BY DATE LNG APPROVED BY DATE SHONG	MATERIAL NO. 46562-3009	DOCUMENT NO. SD-46562-309	TITLE VERT RECEPT ASSY G-6P-24S-G, PRESS-FIT (B1) TEN60 POWER FAMILY	SHEET NO. 1 OF 1

DRAFT WHERE APPLICABLE MUST REMAIN WITHIN DIMENSIONS

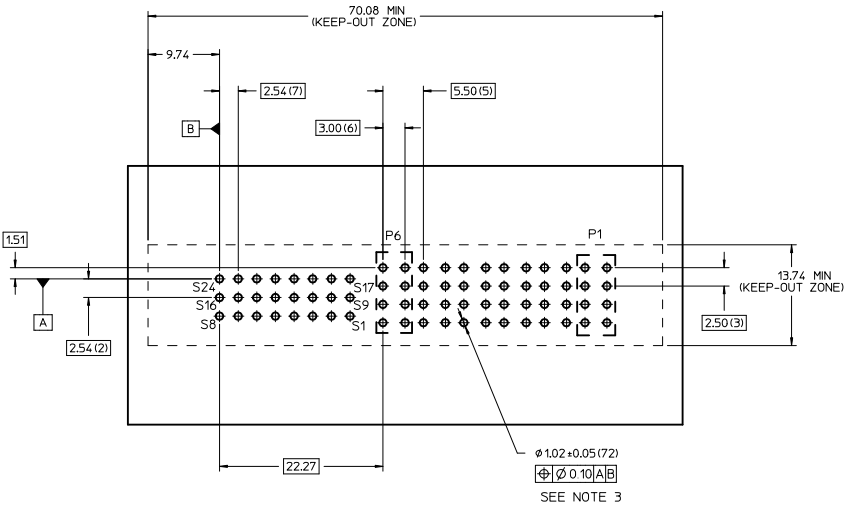
THIS DRAWING CONTAINS INFORMATION THAT IS PROPRIETARY TO MOLEX INCORPORATED AND SHOULD NOT BE USED WITHOUT WRITTEN PERMISSION



P/N: 46562-3009



SECTION Z-Z



RECOMMENDED PCB LAYOUT AND KEEP-OUT ZONE

NOTES:

1. MATERIAL:
-HOUSINGS: LCP UL94 V-0, COLOR: BLACK.
-TERMINALS: COPPER ALLOY.
-PLATING: 0.000127 NICKEL OVERALL WITH 0.00254 SELECTIVE TIN ON COMPLIANT PINS.
AND 0.000762 SELECTIVE GOLD ON CONTACT AREA.
2. ASSEMBLIES PACKED IN TRAYS, SPQ: TBD.
3. PC BOARD REQUIRES THRU HOLES. REFER TO PS-46436-100 FOR DETAILS.
4. PRODUCT SPEC: PS-46436-100.
5. APPLICATION SPEC: AS-46436-100.
6. PRODUCT TO MEET RoHS REQUIREMENTS.
7. ASSEMBLY MATES WITH PLUG ASSEMBLY. P/N 46437-3009.

UPDATE DESCRIPTION IEC NO: UCP2010-1783 DRAWN: HKRAD/MS 2010/01/22 CHKD: JLN 2010/02/08 APPR: APATEL 2010/02/10 REV: B1	QUALITY SYMBOLS DESCRIPTION	GENERAL TOLERANCES (UNLESS SPECIFIED): mm INCH		DIMENSION STYLE MM ONLY	SCALE 3:1	DESIGN UNITS METRIC	THIRD ANGLE PROJECTION
		4 PLACES ±--- ±--- 3 PLACES ±--- ±--- 2 PLACES ±0.25 ±--- 1 PLACE ±0.25 ±--- ANGULAR ±1/2°	DRAWN BY DATE KJKOH 2009/03/11 CHECKED BY DATE LNG APPROVED BY DATE SHONG	MATERIAL NO. 46562-3009	DOCUMENT NO. SD-46562-309	TITLE VERT RECEPT ASSY G-6P-24S-G, PRESS-FIT (B1) TEN60 POWER FAMILY	SHEET NO. 1 OF 1

DRAFT WHERE APPLICABLE MUST REMAIN WITHIN DIMENSIONS

THIS DRAWING CONTAINS INFORMATION THAT IS PROPRIETARY TO MOLEX INCORPORATED AND SHOULD NOT BE USED WITHOUT WRITTEN PERMISSION