



Product Description:

- Surgical Apparel Organizer
- Holds a variety of protective apparel in two compartments and O.R. coveralls/jumpsuits or gowns
- Hinged lid over bulk compartments
- Keyholes for wall mounting
- Made of Clear PETG Plastic and Quartz Beige ABS Plastic

Primary Area for Product Usage:

- Sterile procedure areas including O.R., interventional radiology, G.I. lab, outpatient/same day surgery centers, dental and eye surgery centers

Dispenses:

- Bulk: Each bin dimension is 5.98"W x 14.65"H x 5.88"D (15.2 cm x 37.2 cm x 14.9 cm)
- Bottom: Folded coveralls, jumpsuits, or gowns, up to 12.13"W x 14.85"H x 6.00"D (30.8 cm x 37.7 cm x 15.2 cm)

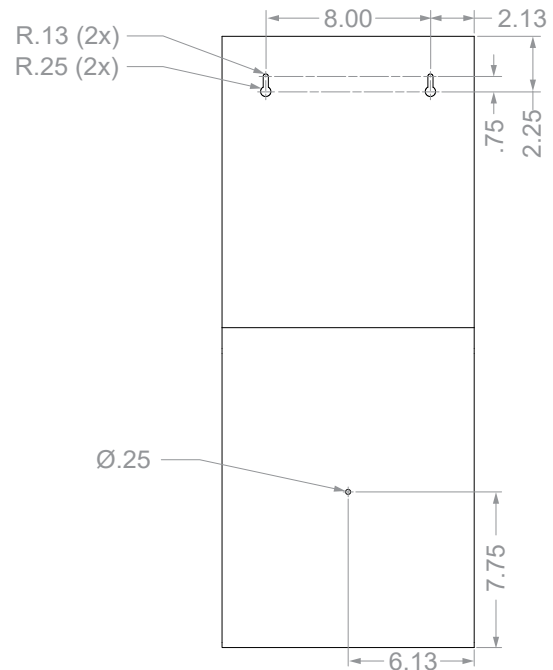
Package Specifications:

- Package Quantity: 1 per case
- 30"L x 20"W x 9"H (76.2 cm x 50.8 cm x 22.9 cm)
- 9.0 lbs (4.1 kg) - approximated

Product Specifications (overall external dimensions):

- 12.25"W x 30.78"H x 6.50"D (31.1 cm x 78.2 cm x 16.5 cm)
- 6.2 lbs (2.8 kg) - approximated

Mounting Specifications:



Associated Products (each sold separately):

- GL100-0212, Glove Box Dispenser - Single with Flexible Spring
- GL300-0212, Glove Box Dispenser - Triple with Dividers



GL100-0212



GL300-0212

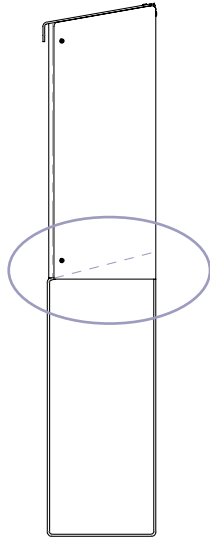




Installation

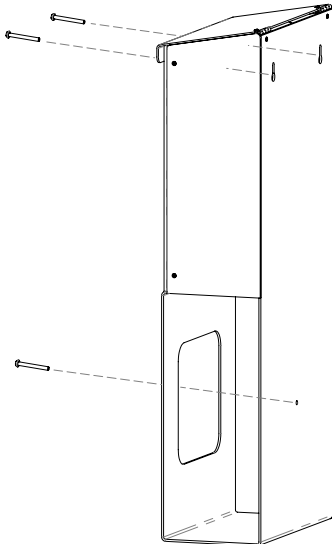
Always mount dispensers securely *prior* to loading with product.

- Clear bulk area allows view of supply levels.
- Slanted bottom helps move product forward for dispensing.



1

- Mount securely to a wall with screws approved and supplied by building maintenance.



2

Parts included:

- Dispenser

Tools Required:

- No tools required to assemble dispenser

Care and Construction

ABS Plastic

Material Characteristics

Designed for Long-Term, Heavy-Duty Applications

The combination of copolymers (Acrylonitrile, Butadiene, and Styrene) gives ABS an excellent combination of strength, rigidity, and toughness.

ABS is chemical, stress-crack resistant, dimensionally stable, and will hold up to long-term use. It possesses high strength and performance characteristics at a reasonable cost.

Care and Cleaning

Use mild soap and water to clean. Petroleum-based oils, solvents, and paints should not be used.

Standard hospital cleaning supplies are approved for use on our ABS plastic products.

PETG Plastic

Material Characteristics

Designed for Long-Term, Heavy-Duty Applications

Copolyester resin is designed for heavy-duty applications, and is used by BOWMAN® Dispensers. We never use acrylic in our products.

Copolyester (PETG) is typically 15-20 times tougher than general purpose acrylic. PETG is made to withstand handling and reduce losses due to breakage.

PETG resists a variety of chemicals and commonly used cleaning agents. It is tough and durable (not brittle), providing years of trouble-free functionality and long life.

Clear optical characteristics mean the viewer can see the content, read text, and see true colors through the material. It complies with FDA regulations for food contact.

Care and Cleaning

Most cleaning chemicals do not weaken the surface or cause damage to the material. Suggested cleaning method is to use a soft cloth, warm water, and mild soap.