

Customer Information Sheet

DRAWING No.: M52-505XX45

SHEET 2 OF 2

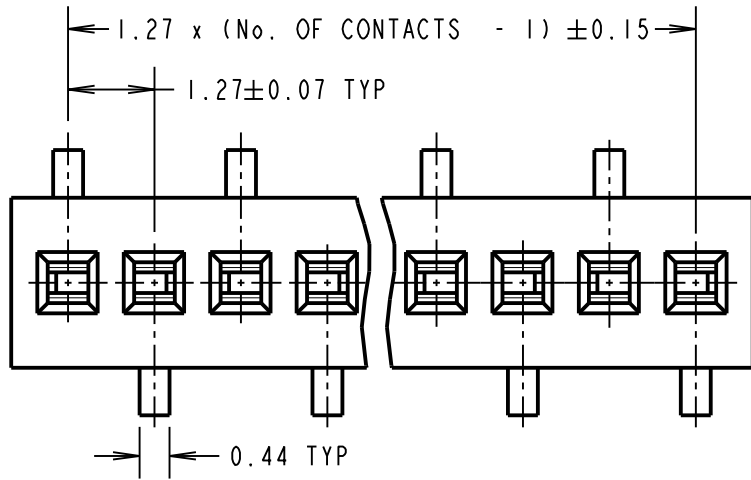
IF IN DOUBT - ASK

©

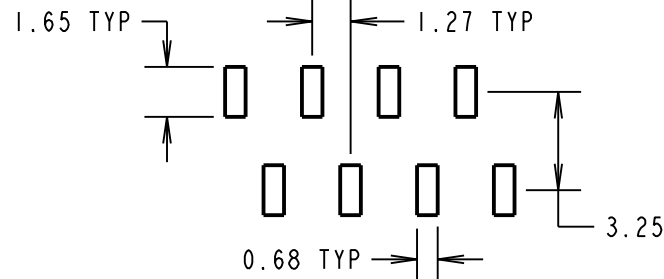
NOT TO SCALE

THIRD ANGLE PROJECTION

ALL DIMENSIONS IN mm



RECOMMENDED PCB LAYOUT (PCB TOLERANCE ± 0.05)



NOTES:
1. ALL TOLERANCES ARE ± 0.25 UNLESS OTHERWISE STATED.

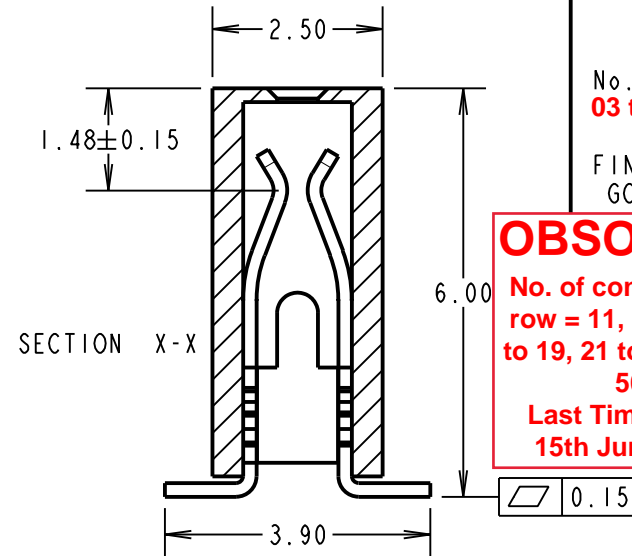
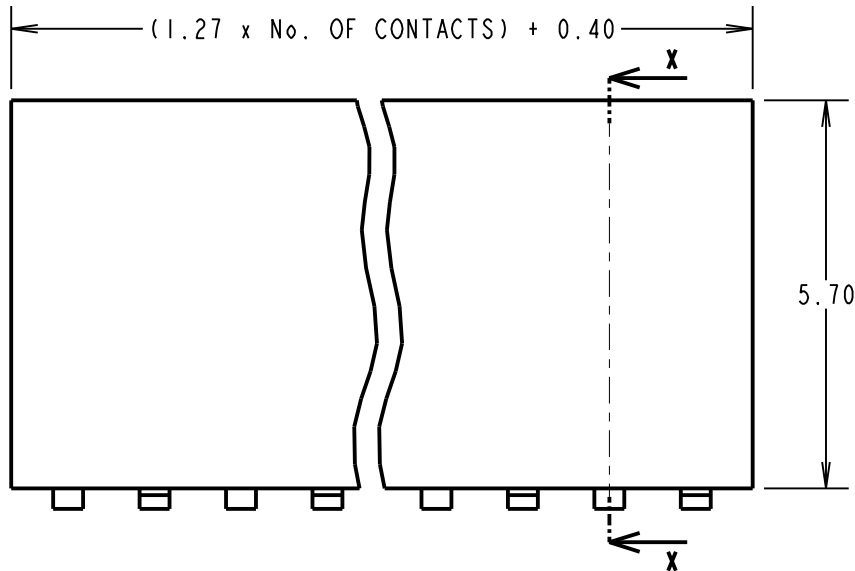
SPECIFICATIONS:

MATERIAL:
MOULDING = NYLON 6T UL94V-0, BLACK
CONTACT = PHOSPHOR BRONZE
FINISH:
CONTACT = GOLD OVER NICKEL
ELECTRICAL:
CURRENT RATING = 1A
DIELECTRIC WITHSTAND VOLTAGE = 1000V ACrms FOR ONE MINUTE

CONTACT RESISTANCE = $20m\Omega$ MAX
INSULATION RESISTANCE = $1000M\Omega$ MIN

MECHANICAL:
INSERTION FORCE = 1.5N MAX PER PIN
WITHDRAWAL FORCE = 0.10N MIN PER PIN
DURABILITY = 300 CYCLES

ENVIRONMENTAL:
OPERATING TEMPERATURE = $-40^{\circ}C$ TO $+105^{\circ}C$
PACKING:
TUBE



ORDER CODE:

M52-505XX45

No. OF CONTACTS PER ROW:
03 to 10, 12, 15, 20, 25

FINISH:
GOLD

OBSOLETE

No. of contacts per row = 11, 13, 14, 16 to 19, 21 to 24, 26 to 50
Last Time Buy = 15th June 2018

SB	8	17.12.13	11905
NAME	ISS.	DATE	C/NOTE
APPROVED: S.BENNETT			
CHECKED: S.FLOWER			
DRAWN: J. ENRIGHT			
CUSTOMER REF.:			
ASSEMBLY DRG:			

HARWIN

www.harwin.com
technical@harwin.com

THIS DRAWING AND ANY INFORMATION OR DESCRIPTIVE MATTER SET OUT HEREON ARE CONFIDENTIAL AND COPYRIGHT PROPERTY OF THE HARWIN GROUP AND MUST NOT BE DISCLOSED, LOANED, COPIED OR USED FOR MANUFACTURING, TENDERING OR FOR ANY OTHER PURPOSE WITHOUT THEIR WRITTEN PERMISSION.

TOLERANCES
~~X = $\pm 1mm$~~
~~X.X = $\pm 0.25mm$~~
~~X.XX = $\pm 0.10mm$~~
~~X.XXX = $\pm 0.01mm$~~
ANGLES = $\pm 5^{\circ}$
UNLESS STATED

MATERIAL:

SEE ABOVE

FINISH: SEE ABOVE

S/AREA:

mm²

TITLE:

1.27mm PITCH SIL
VERTICAL SMT SOCKET ASSY

DRAWING NUMBER:

M52-505XX45

SHT
2 OF 2