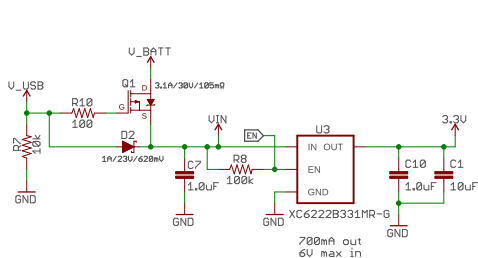


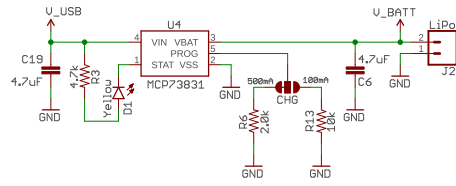
Voltage Regulator

U_USB = 6V MAX
U_BATT = Single Cell (4.2V MAX)



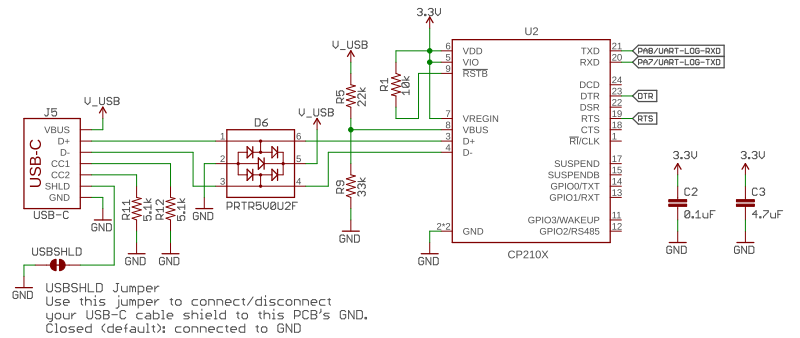
Lithium-Polymer Battery Charger (1-cell)

U_BATT should be a single-cell LiPo battery.



Charge current:
I_CHG = 1000 / R_PROG
R_PROG = 2k : I_CHG = 500mA (DEFAULT)
R_PROG = 10k : I_CHG = 100mA

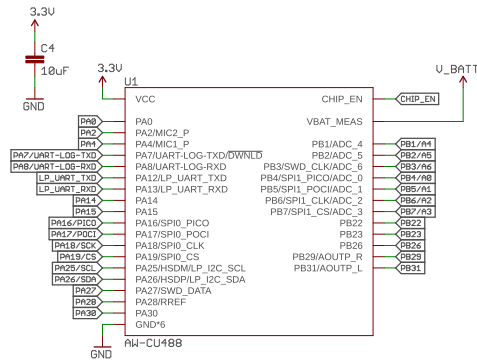
CP2104/2N (USB-to-Serial Converter)



USBSHLD Jumper
Use this jumper to connect/disconnect your USB-C cable shield to this PCB's GND.
Closed (default): connected to GND

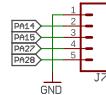
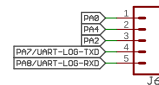
AzureWave AW-CU488 Module

Module recommended UCC range: 3.0-3.6V



Arduino Pin Mapping

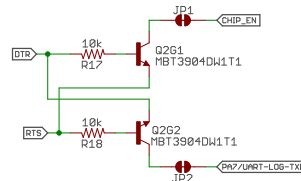
PA14	29
PA15	28
DA27	27
DA28	26
PA2	25
DA7	24
PA2	23
DA4	22
PA0	21
PA31	20
DB2	19/A5
DB1	18/A4
DB2	17/A3
PB6	16/A2
DB5	15/A1
DB4	14/A0
PB23	13
PB26	12
DB22	11
PB23	10
DB3	9/A6
DA19	8
DA30	7
DA25	6
DA26	5
DA12	4
DA13	3
DA17	2
PA16	1
DA18	0



Auto-Reset

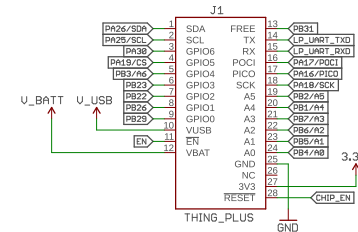
Auto program circuit

DTR	RTS	EN	LOG_TXD
1	1	1	1
0	0	1	1
1	0	0	1
0	1	1	0

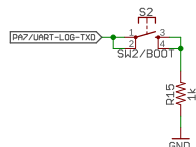


Cut JP1 and JP2 to disable auto-boot circuit

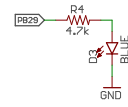
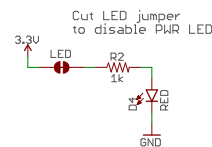
Thing Plus Headers



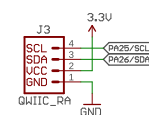
EN & BOOT Buttons



Power & GPIO LEDs



QWIIC Connector



THIS IS A FOUR-LAYER BOARD!

Released under the Creative Commons Attribution Share-Alike 4.0 License
<https://creativecommons.org/licenses/by-sa/4.0/>

TITLE: SparkFun_AzureWave_Module_Thing_Plus_AW-CU488

Design by: Pete Lewis

Based on designs by: M. Hord, A. Hende

Date: 8/30/2022 2:42 PM

8

REV: v10

Sheet: 1/1