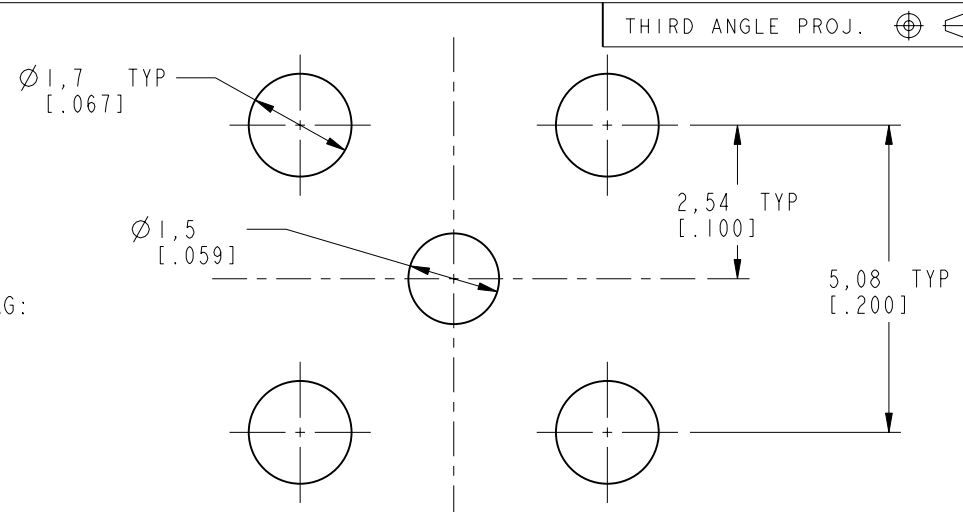


NOTES:

1. MATERIALS AND FINISHES:  
 BODY - STAINLESS STEEL, GOLD PLATING  
 CONTACT - BERYLLIUM COPPER, GOLD PLATING  
 INSULATOR - PTFE
2. ELECTRICAL:  
 A. IMPEDANCE: 50 OHM  
 B. FREQUENCY RANGE: DC - 12.4 GHz
3. MECHANICAL:  
 A. DURABILITY: 500 CYCLES MIN.  
 B. TEMPERATURE RANGE: -65° C TO +165° C
4. BULK PACK 250 CONNECTORS IN ANTI-STATIC BAG 999-414, MARK BAG OR TAG:  
 "AMPHENOL , 901-144-4 , QUANTITY 250, DATE CODE"

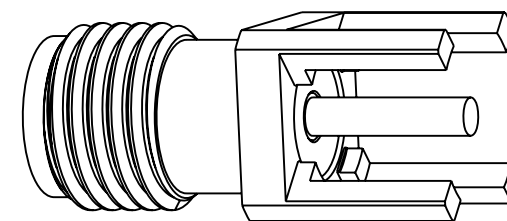


**RECOMMENDED MOUNTING HOLE DIMENSIONS**

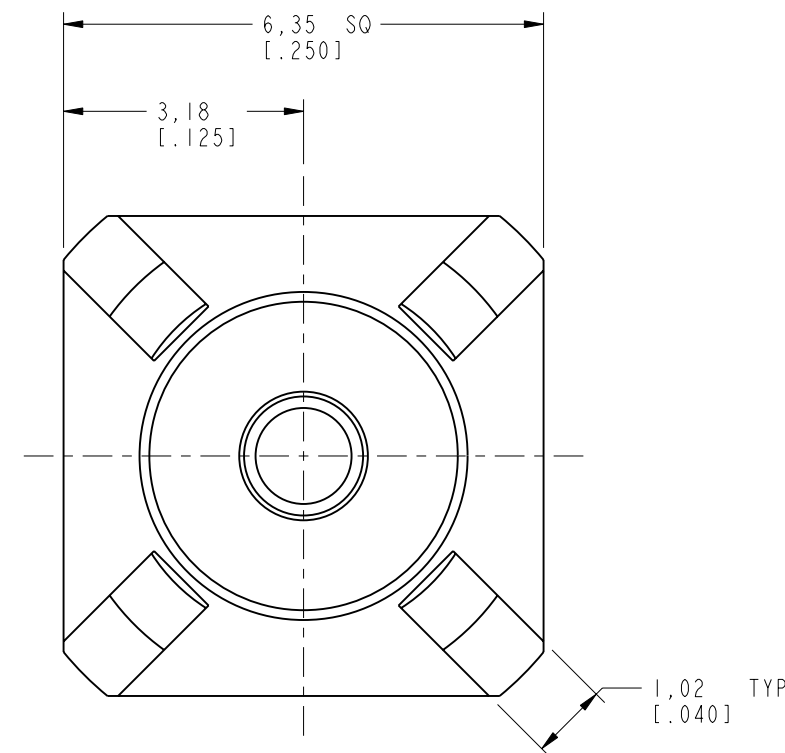
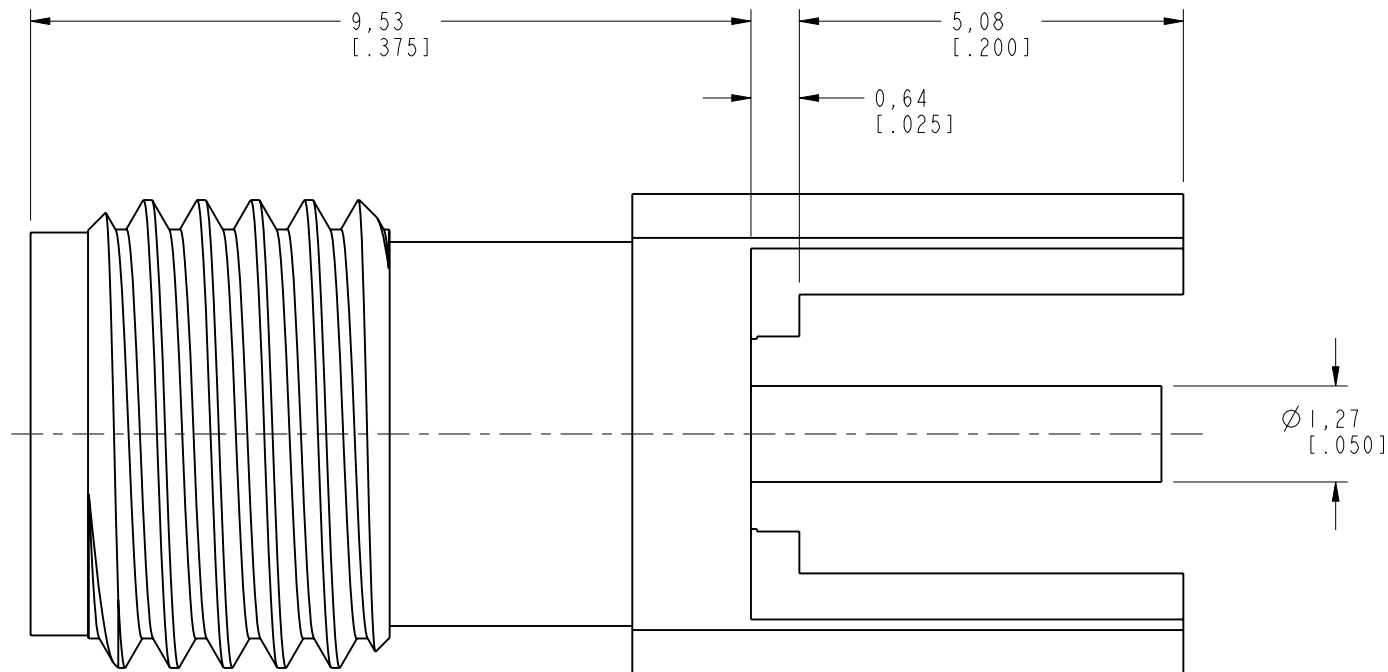
SCALE 8.000

THIRD ANGLE PROJ.

REVISIONS				
REV	DESCRIPTION	DATE	ECO	APPR
A	OFFICIAL ENG/RELEASE TO MFG	6-17-91	38097	FSH
E	REDRAWN PRO/E. NO CHANGES	6-13-96	41423	RF/BG
G	NO.2 WAS CHANGED\RD-DA05041201R	04-12-05'	--	ROCKY
H	SYNCH THE DRAWING WITH DANBURY\RD-DM11031401R3	01-Apr-11	48528	ROSE



SCALE 4.000



**CUSTOMER OUTLINE DRAWING**

ALL OTHER SHEETS ARE FOR INTERNAL USE ONLY

UNLESS OTHERWISE SPECIFIED, DIMENSIONS ARE IN METRIC AND TOLERANCES ARE: <0.5mm ±0.05mm    0.5 - 6mm ±0.1mm    6 - 30mm ±0.2mm    30 - 120mm ±0.3mm    ANGLES ±1°	MATERIAL	DRAWN ROSE.MAO	DATE 01-Apr-11	TITLE SMA JACK PCB RECEPTACLE	Amphenol RF Danbury CT USA, Tainan, Taiwan, Shenzhen, China www.amphenolrf.com
	REFERENCE AND CONFIGURATION LEVEL:	ENGINEER F.HULL	DATE 01-Apr-11		
NOTICE - These drawings, specifications, or other data (1) are, and remain the property of Amphenol corp. (2) must be returned upon request; and (3) are confidential and not to be disclosed to any person other than those to whom they are given by Amphenol Corp. the finishing of these drawings, specifications, or other data by Amphenol Corp., or to any other person to anyone for any purpose is not to be regarded by implication or otherwise in any manner licensing, granting rights to permitting such holder or any other sperson to manufacture, use or sell any product, process or design, patented or otherwise, that may in any way be related to or disclosed by said drawings, specifications, or other data.	FINISH	APPROVED DANIEL	DATE 01-Apr-11	SCALE: 10.0:1.0   SHEET 2 OF 2	ITEM NO. 116251AAM02GA5F
			CAD FILE		DWG SIZE B
					PART NO. 901-144-4