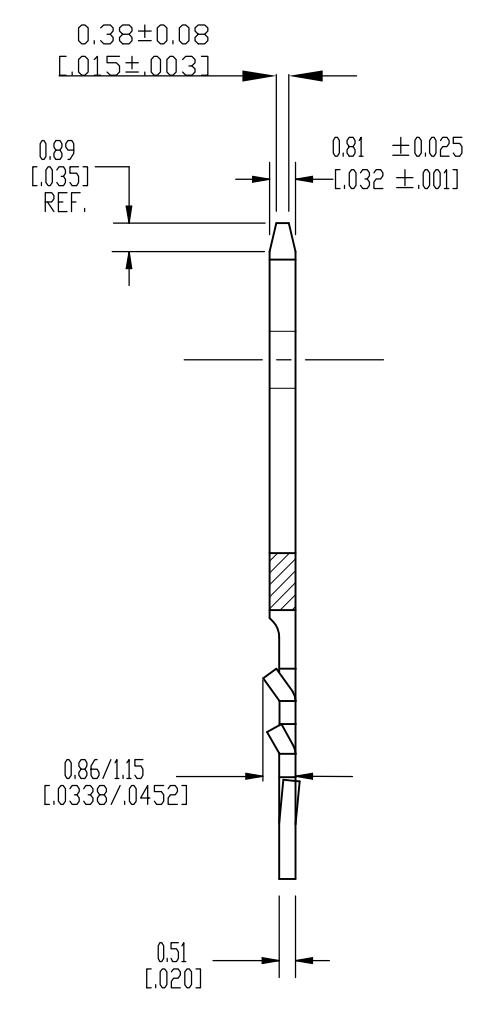
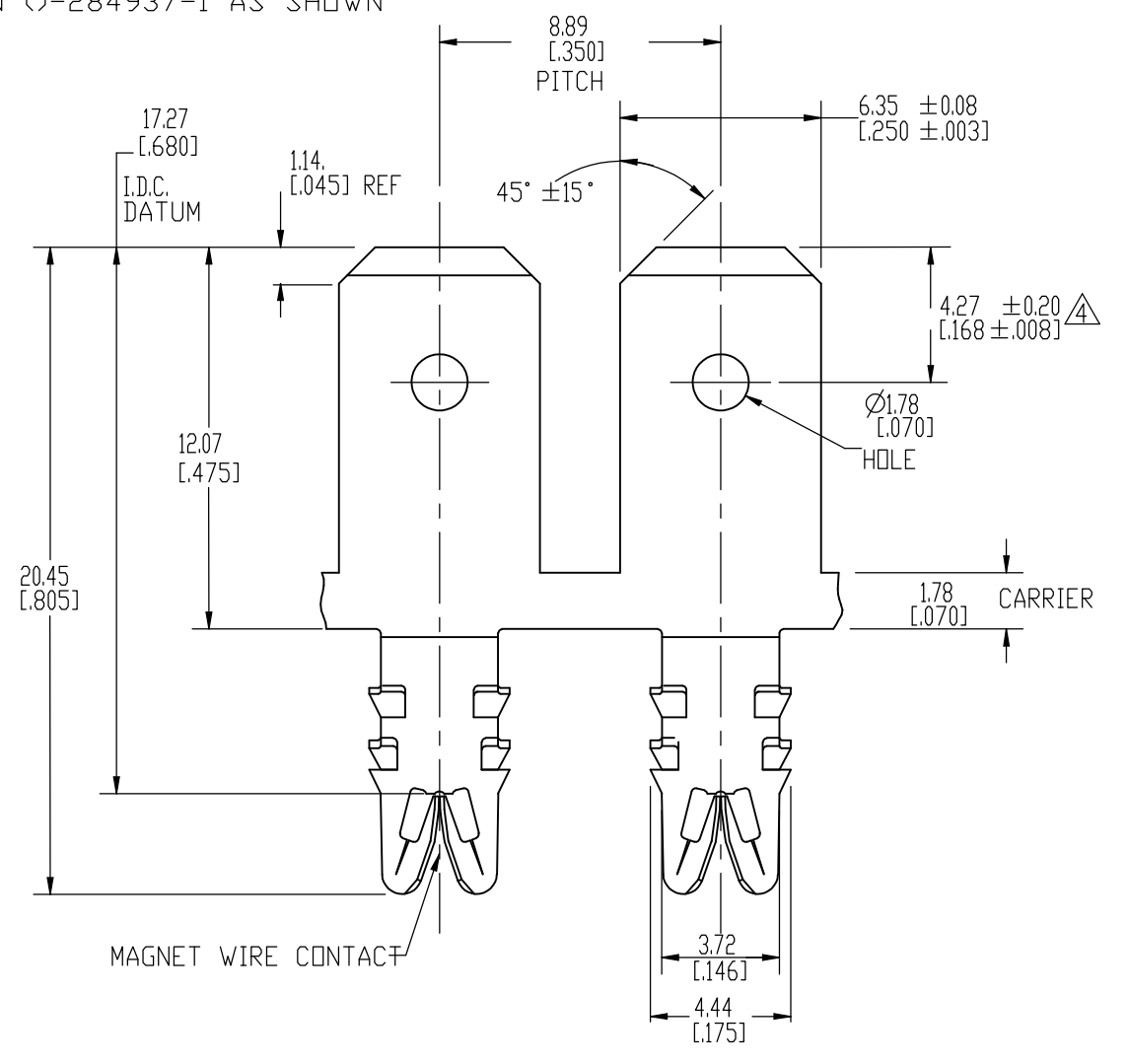


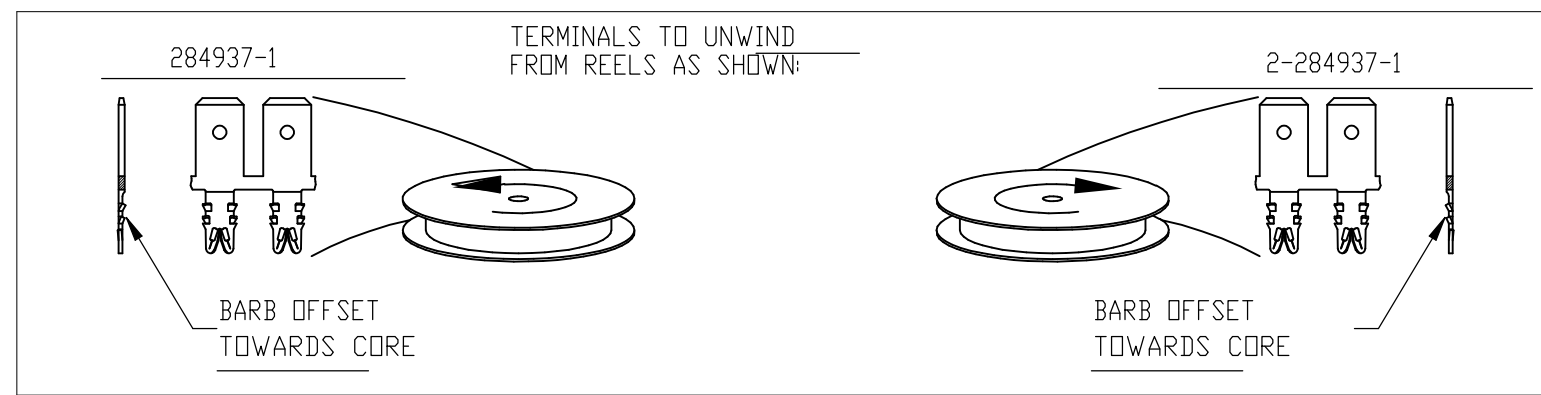
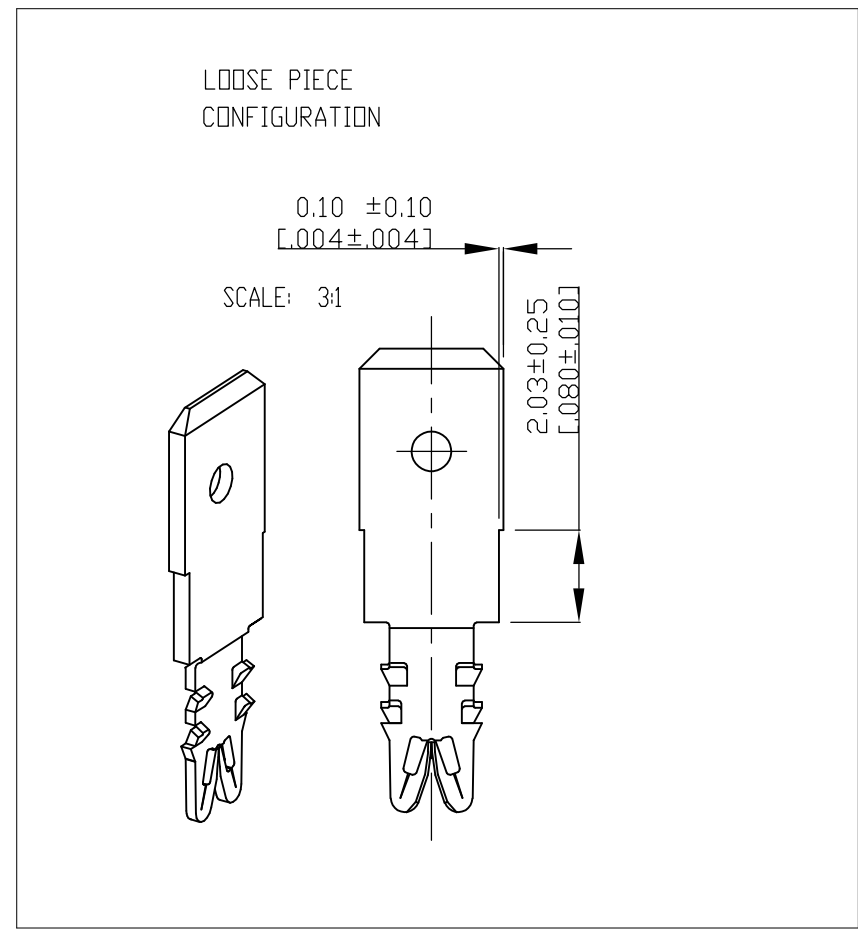
THIS DRAWING IS UNPUBLISHED. RELEASED FOR PUBLICATION
 © COPYRIGHT - By - ALL RIGHTS RESERVED.

LOC	DIST	REVISIONS					
		P	LTR	DESCRIPTION	DATE	DWN	APVD
			A4	REVISED PER ECR-13-010561	14AUG2013	KH	GJ

PN (-)-284937-1 AS SHOWN



- 1 SPECIFICATIONS: MAGNET WIRE #18-#34 AWG 1.02-0.16[.040-.006]DIA COPPER. OTHER SIZES MAY BE ACCOMMODATED, CONSULT TYCO ELECTRONICS FOR APPROVAL
- 2 POCKET DESIGN RECOMMENDATION: 1601425.
- 3 TERMINALS SUPPLIED ON STRIP ON REELS.
- 4 CONFORM TO DIN. SPECIFICATION #46244
- 5 TWO TERMINALS SHOWN FOR ILLUSTRATION PURPOSES ONLY



THIS DRAWING IS A CONTROLLED DOCUMENT.		DWN C.Cordola JUNE 2003	TE Connectivity														
DIMENSIONS: mm [INCHES]		CHK C.Cordola JUNE 2003															
TOLERANCES UNLESS OTHERWISE SPECIFIED:		APVD G.Turco JUNE 2003	NAME														
<table border="0"> <tr><td>0 PLC</td><td>± -</td></tr> <tr><td>1 PLC</td><td>± -</td></tr> <tr><td>2 PLC</td><td>± 0.13[.005]</td></tr> <tr><td>3 PLC</td><td>± -</td></tr> <tr><td>4 PLC</td><td>± -</td></tr> <tr><td>ANGLES</td><td>± 2°</td></tr> </table>		0 PLC	± -	1 PLC	± -	2 PLC	± 0.13[.005]	3 PLC	± -	4 PLC	± -	ANGLES	± 2°	PRODUCT SPEC 108-20249	STD. RANGE WIRE TO .250 X .032 MULTI-BARB TAB SIAMEZE TERMINAL		
0 PLC	± -																
1 PLC	± -																
2 PLC	± 0.13[.005]																
3 PLC	± -																
4 PLC	± -																
ANGLES	± 2°																
MATERIAL BRASS 1/2 HARD		FINISH UNPLATED	APPLICATION SPEC 114-20117	SIZE A3	CAGE CODE 00779	DRAWING NO C-284937	RESTRICTED TO										
CUSTOMER DRAWING			WEIGHT -	SCALE NTS	SHEET 1 OF 1	REV A4											