

1 2 3 4 5 6

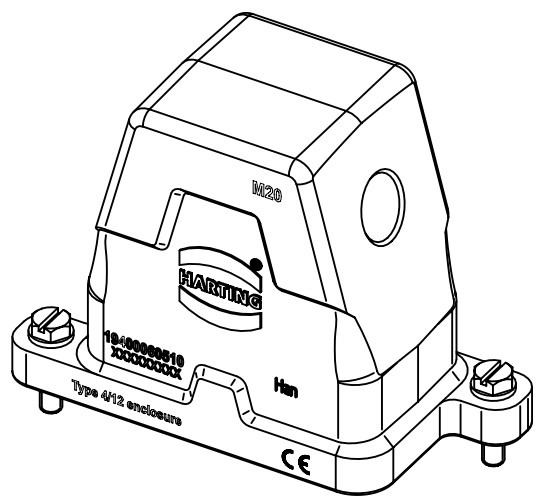
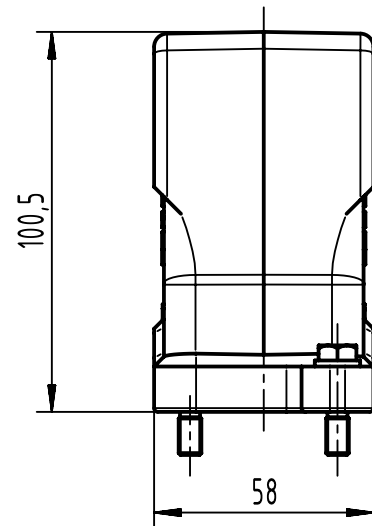
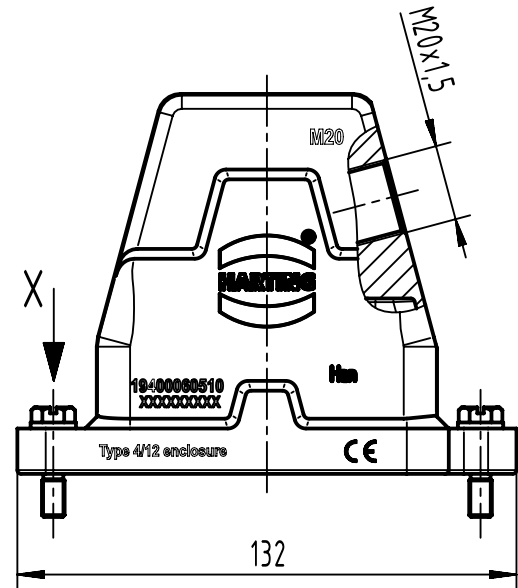
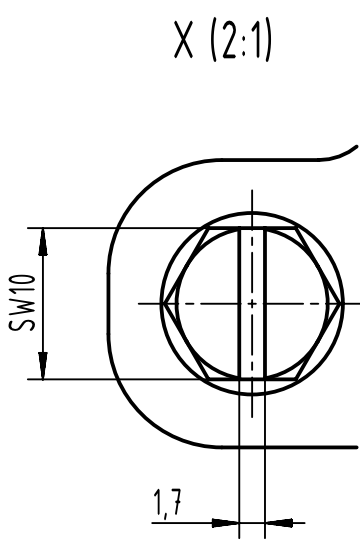
A


B

C

D

X (2:1)



	All Dimensions in mm Original Size DIN A4		Scale 1:2	Free size tol.		Ref.	
	All rights reserved Department EL PD		Created by HOLLERT	Inspected by SUNDERMEIER	Standardisation 302077	Date 2021-02-22	State Final Release
HARTING D-32339 Espelkamp			Title Han 6HPR-HSE-SCL-M20			Doc-Key / ECM-Nr. 100208607/UGD/004/C 500000187340	
			Type TB	Number 19 40 006 0510		Rev. C	Page 1/1