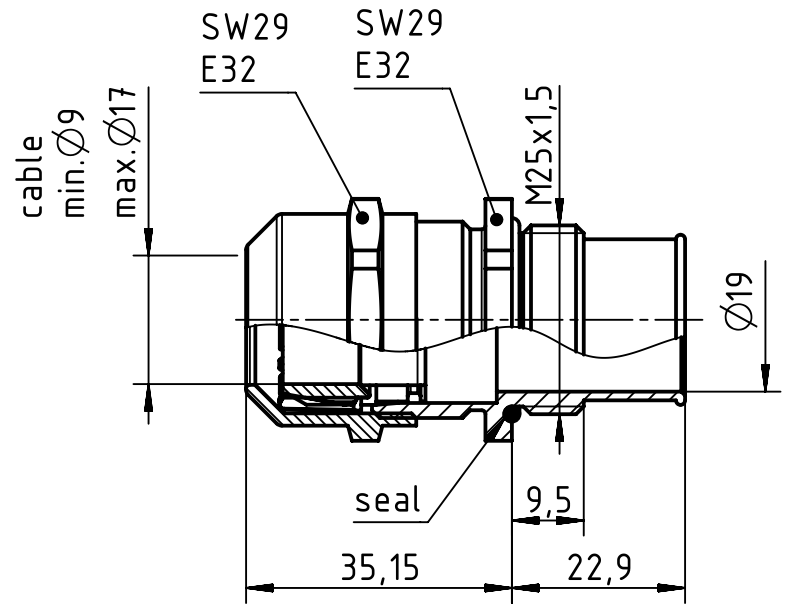
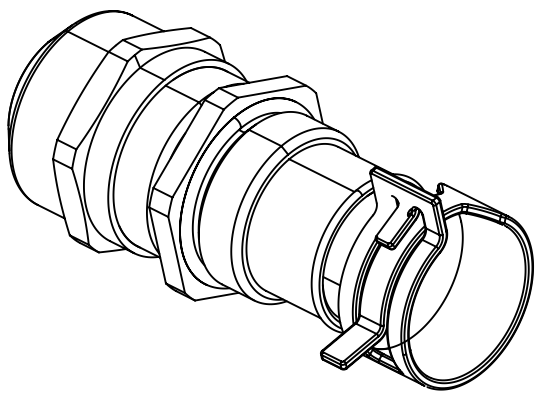
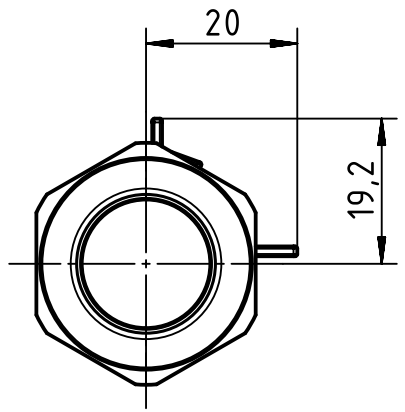
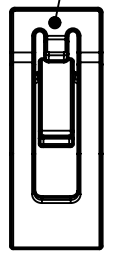



1 2 3 4 5 6

A
B
C
D



spring band clamp enclosed separately



	All rights reserved Department EL PD - DE HARTING Electric GmbH & Co. KG D-32339 Espelkamp	All Dimensions in mm Original Size DIN A4		Scale 1:1	Free size tol.	Ref. Sub.	
		Created by RULLKOETTER	Inspected by SCHNIEDER	Standardisation RUETERA	Date 2017-04-19	State Final Release	Doc-Key / ECM-Nr. 100195256/UGD/004/A 500000118236
Title Spec. Cable Gland M25 Cable-09-17 SBC						Rev. A	Page 1/1
Type TB		Number 19 00 000 5013					