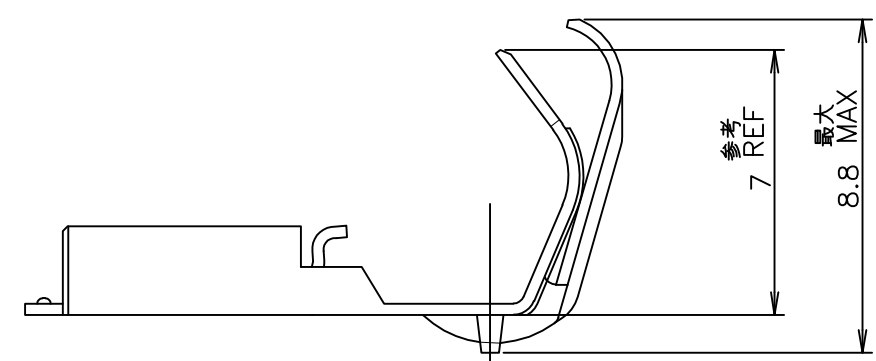
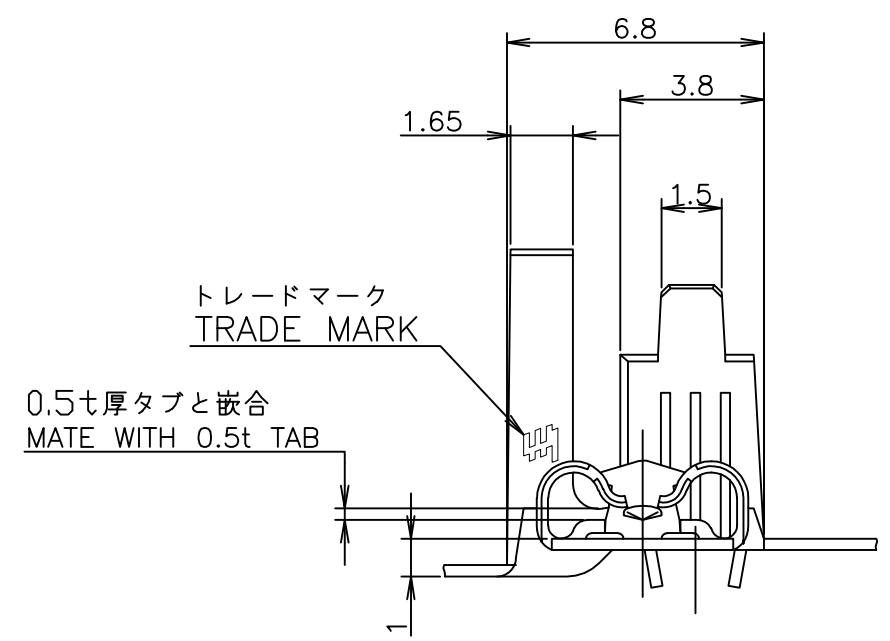
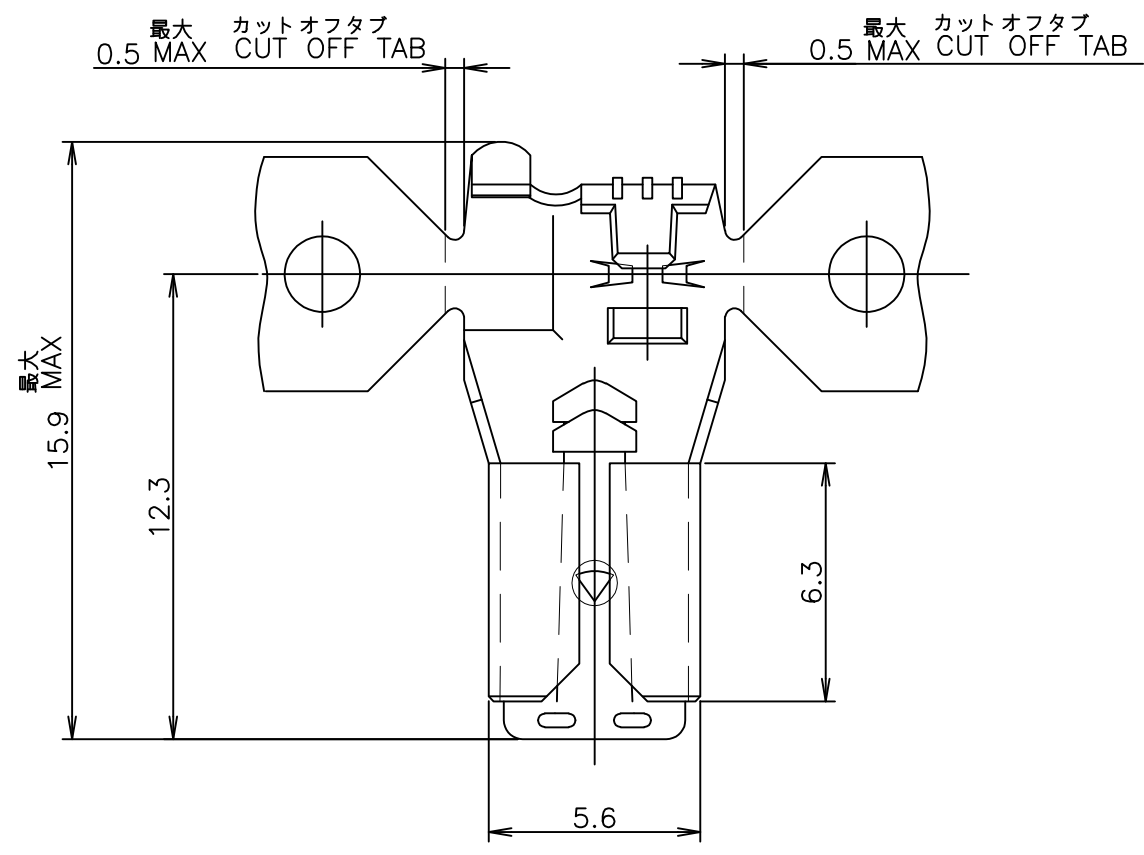


THIS DRAWING IS UNPUBLISHED. RELEASED FOR PUBLICATION JUL ,1999.  
 © COPYRIGHT 1999 By - ALL RIGHTS RESERVED.

REVISIONS 変更				
P	LTR	DESCRIPTION	DATE	APVD
	F2	REVISED PER ECR-15-018717	29JUN17	LP TD

-1; AS SHOWN



OBSOLETE

- 1 APPLICABLE SLEEVE P/N: 1717269, 178708
- 1 適用スリーブ型番: 1717269, 178708

PRE TIN HIGH HEAT RESISTANCE COPPER ALLOY 0.3t	175019-6
錫めっき済み高耐熱銅合金 0.3t	
PRE TINNED PHOSPHOR BRONZE 0.3t	175019-5
錫めっき済み燐青銅 0.3t	
PRE TINNED BRASS 0.3t	175019-1
錫めっき済み黄銅 0.3t	
MATERIAL 材質	P/N 型番
WIRE RANGE 抱合電線断面積	AWG #22-#16 0.3~1.42 mm <sup>2</sup>
INSULATION DIA 被覆外径	1.5~4.32 mm $\phi$

THIS DRAWING IS A CONTROLLED DOCUMENT.

DIMENSIONS: 単位: 耗 mm	TOLERANCES UNLESS OTHERWISE SPECIFIED: 一般公差
0 PLC ±	1 PLC ±
2 PLC ±	3 PLC ±
4 PLC ±	ANGLES ±
MATERIAL 材料	FINISH 仕上
表参照 SEE TABLE	

GENERAL TOLERANCE 一般公差	
10 ≥ :	±0.2
30 ≥ > 10:	±0.25
100 ≥ > 30:	±0.3
ANGLES:	±3°

DWN	M.SUZUKI	07JUL1999
CHK	M.SHINDO	07JUL1999
APVD	M.SHINDO	07JUL1999
PRODUCT SPEC	製品規格	108-5250
APPLICATION SPEC	取付適用規格	114-5118
WEIGHT	0.000000	
CUSTOMER DRAWING		

		TE Connectivity	
		NAME 名称	
187 SERIES FLAG POSITIVE LOCK-EX REC.		187 シリーズ・旗型・ポジティブロック EX リセブタクル	
SIZE	CAGE CODE	DRAWING NO 番号	RESTRICTED TO
A3	00779	C-175019	-
SCALE 尺度		SHEET	REV
5:1		1 OF 1	F2