

PRODUCT DESCRIPTION CODE :

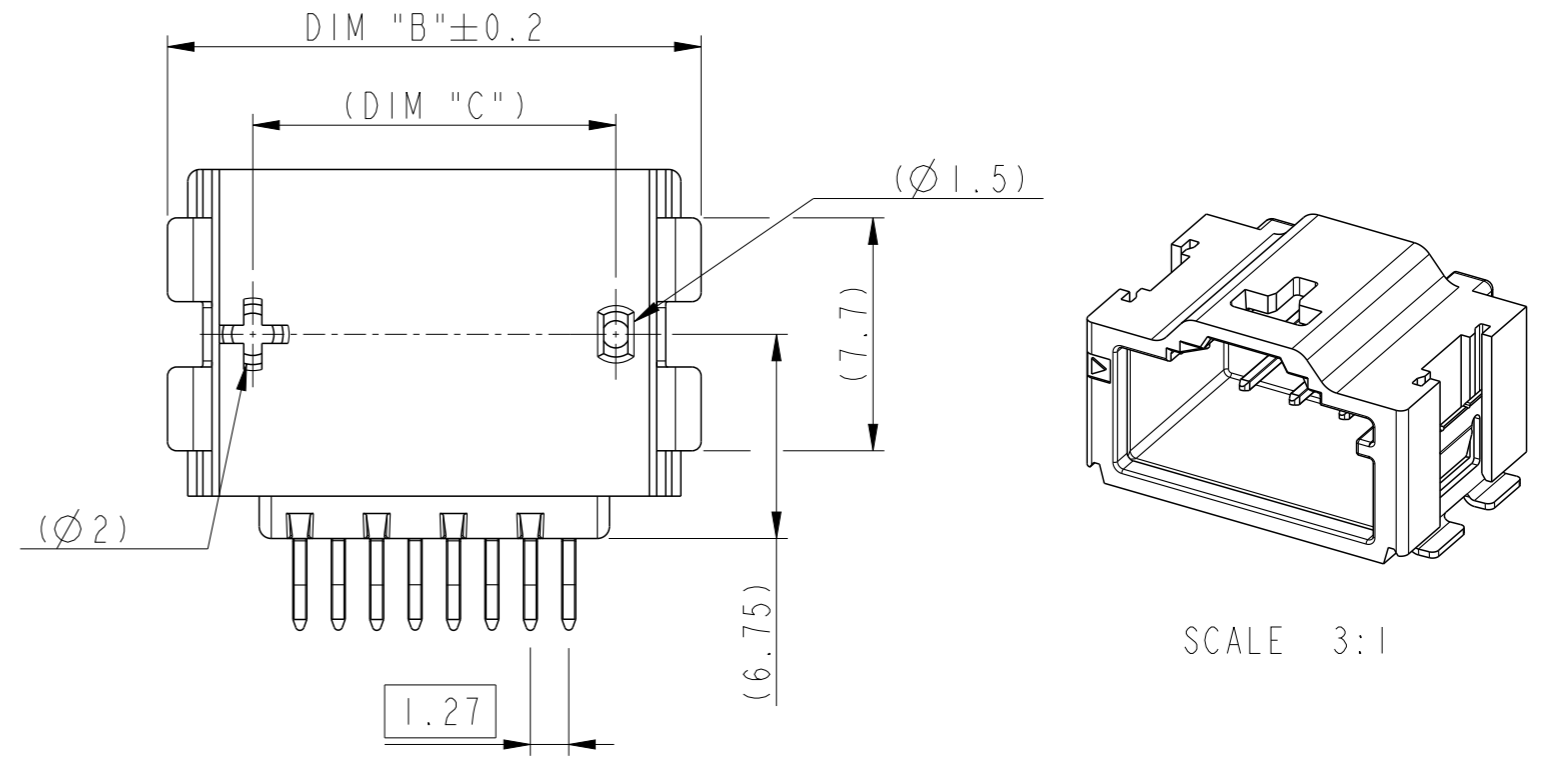
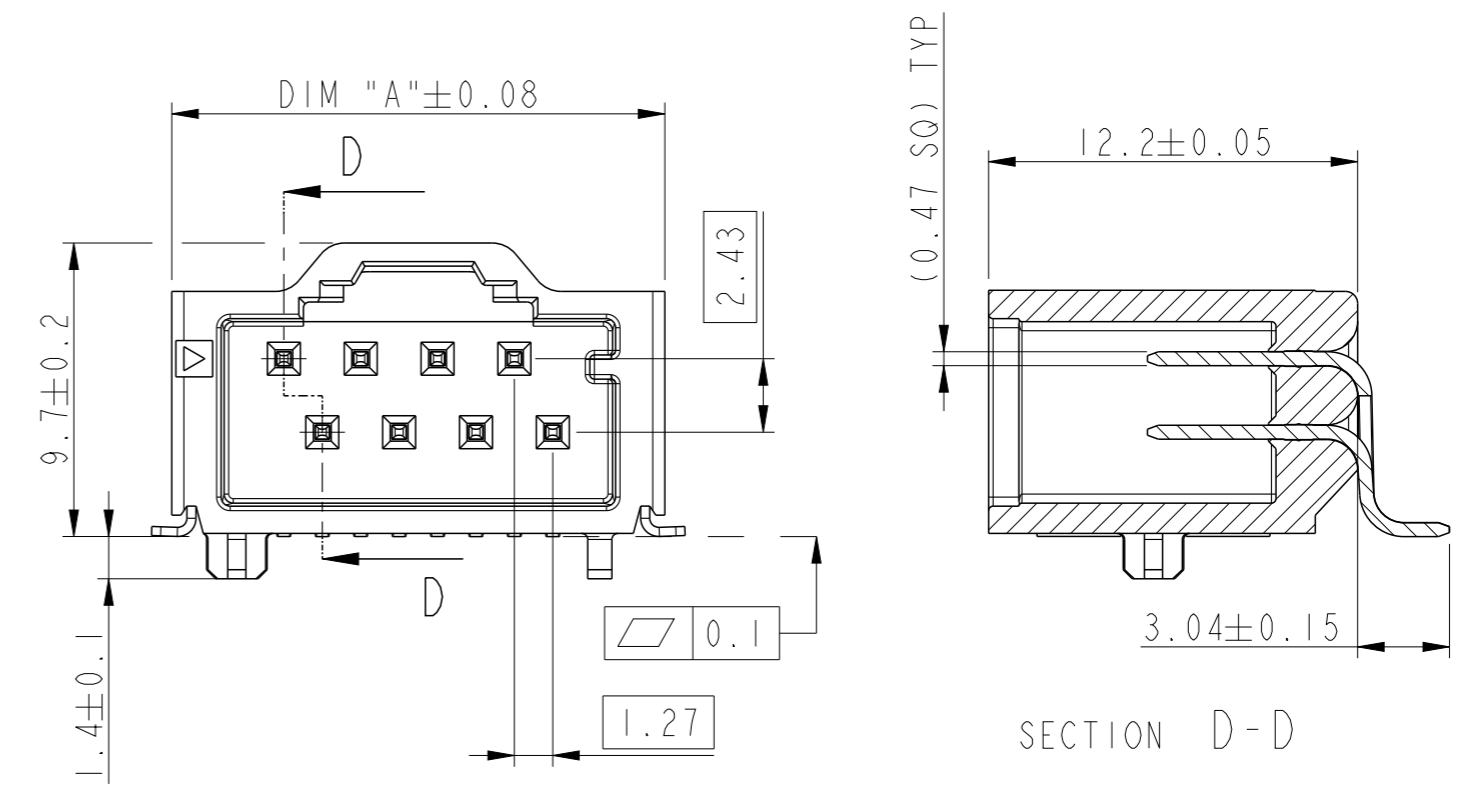
10155500-A1XXK LF

CODING TYPE :
 A = CODING A
 B = CODING B
 C = CODING C

RoHS COMPATIBLE, SEE NOTE 3
 FOR CUSTOMER CODE :
 BLANK = GENERAL USE
 PACKAGING :
 K = TAPE & REEL
 NUMBER OF POSITIONS : 02 TO 16
 PLATING :
 1 = 3µm MIN MATTE TIN (PREPLATED)
 2 = 3µm MIN MATTE TIN (POST-PLATED)
 3 = 0.76µm MIN GOLD (CONTACT AREA)
 ALL OVER 1.27µm MIN NICKEL UNDERLAYER

NOTES:

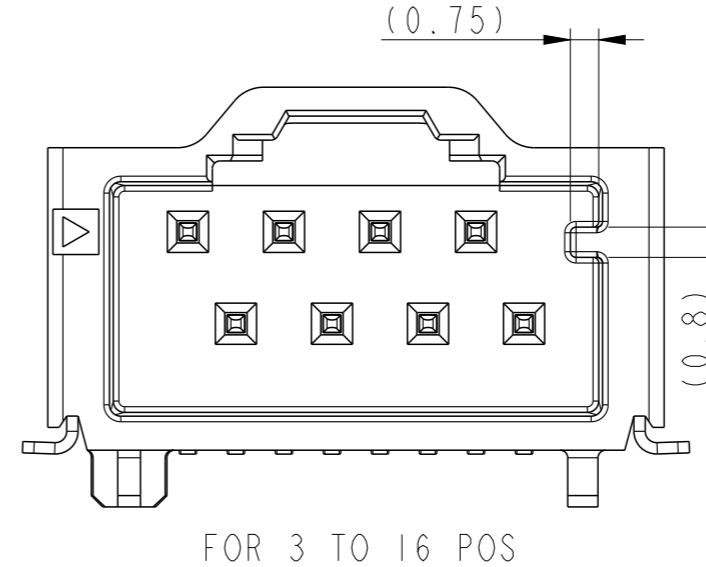
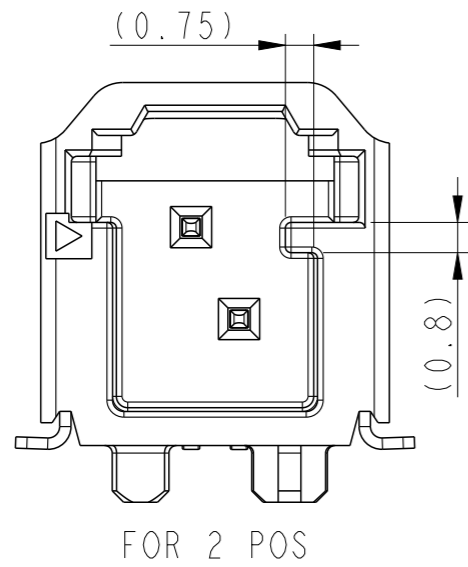
- 1 - MATERIAL:
 HOUSING : HIGH TEMPERATURE THERMOPLASTIC
 COLOR BLACK UL94 V-0
 PIN : HIGH CURRENT COPPER ALLOY
- 2 - TO BE MATED WITH MINITEK MicroSpaceXS RECEPTACLE SERIES 10155504
- 3 - PRODUCT SPECIFICATION : GS-12-1634
 PACKAGING SPECIFICATION : GS-14-2777
- 4 - RoHS COMPATIBLE PRODUCT SPECIFICATIONS
 - a - PLATING:
 "LF" MEANS THE PRODUCT IS LEAD FREE,
 3µm MINIMUM MATTE TIN OVER 1.27µm MINIMUM NICKEL UNDERPLATE.
 - b - MANUFACTURING PROCESS COMPATIBILITY:
 THE HOUSING WILL WITHSTAND EXPOSURE TO 260°C PEAK TEMPERATURE FOR 30 SECONDS MAX IN A CONVECTION, INFRA-RED OR VAPOR PHASE OR REFLOW OVEN.
 - c - LABELLING :
 MEETS PACKAGING SPECS AS PER GS-14-920
 - d - LEGAL STATEMENT :
 SEE GS-47-0004.



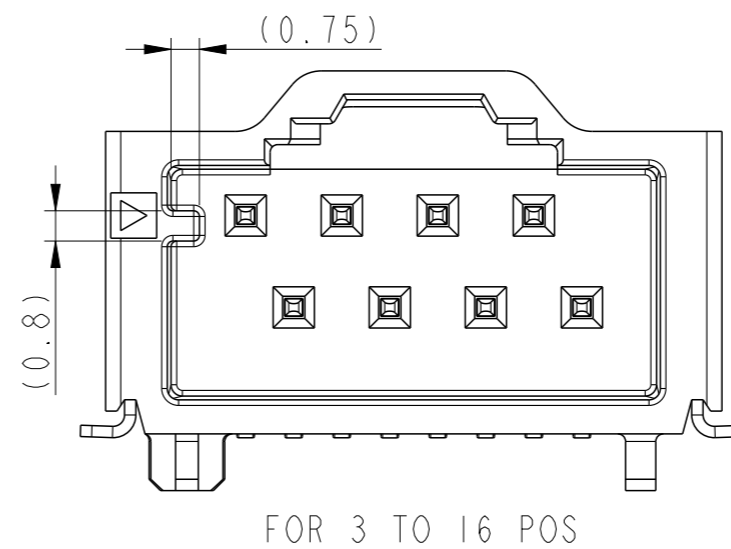
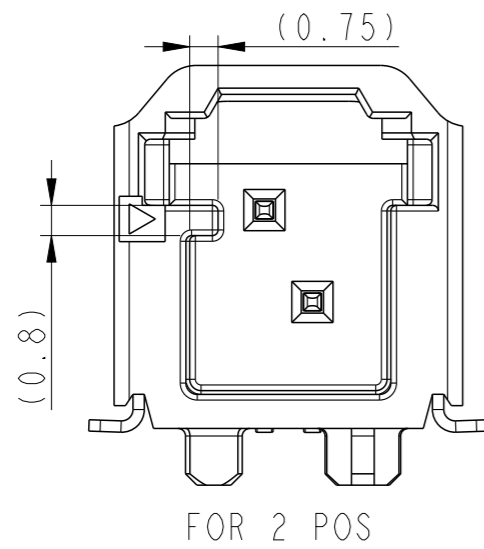
spec ref		dr	Sawanth, Ambaa	2020/06/01	projection	mm	size	A3	scale	4:1		
tolerance std		eng	Cyril Jeune	2021/05/12			ecn no		ELX-F-39022-1			
ISO 406 ISO 1101		chr	Canque, Vincen	-			rel level		Released			
TOLERANCES UNLESS OTHERWISE SPECIFIED		appr	Vallière, Jérô	2021/05/17	product family							
surface	linear	0.X		±0.3		HEADER ASSY STG TOP LATCH		dwg no	10155500		rev	B
		0.XX		±0.1		MINITEK MicroSpaceXS						
ISO 1302		angular	0°			±2°	cat. no.		-		Product - Customer Drw	

© 2020 Amphenol Corporation
 Amphenol FCI

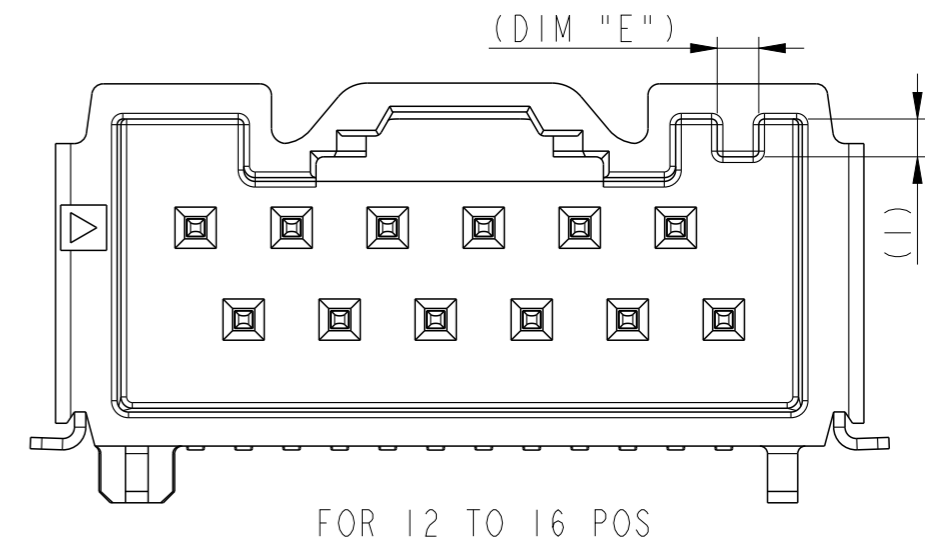
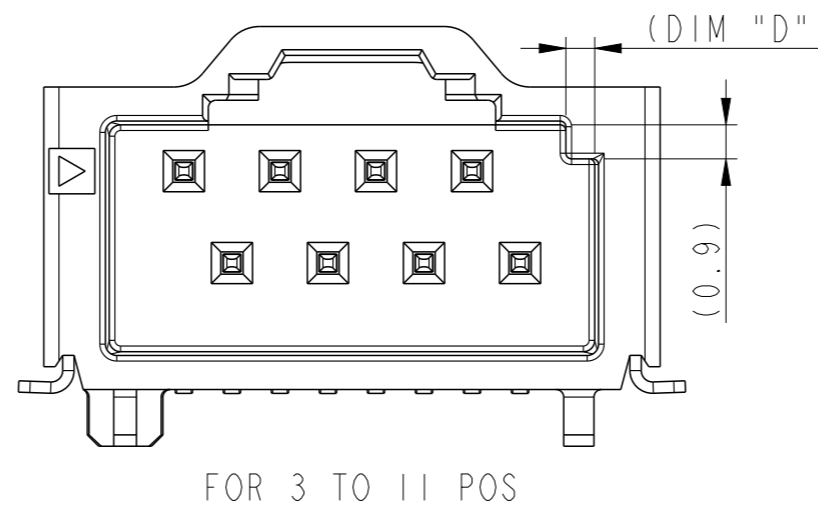
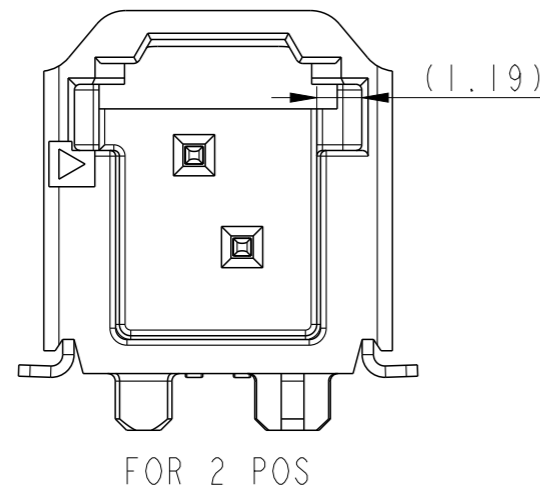
COD A VIEWS AND DIMENSIONS



COD B VIEWS AND DIMENSIONS

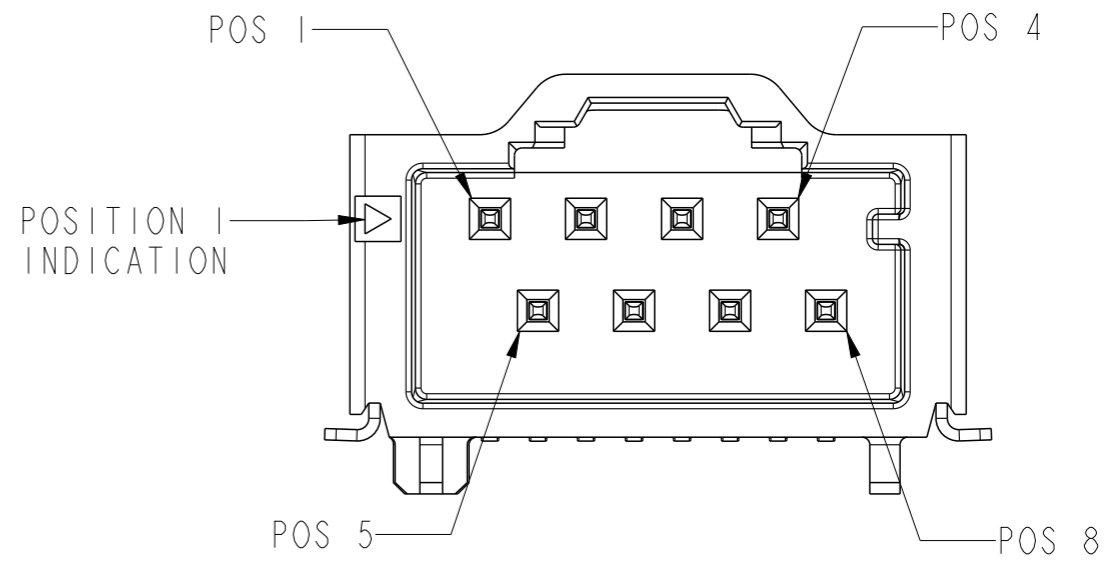
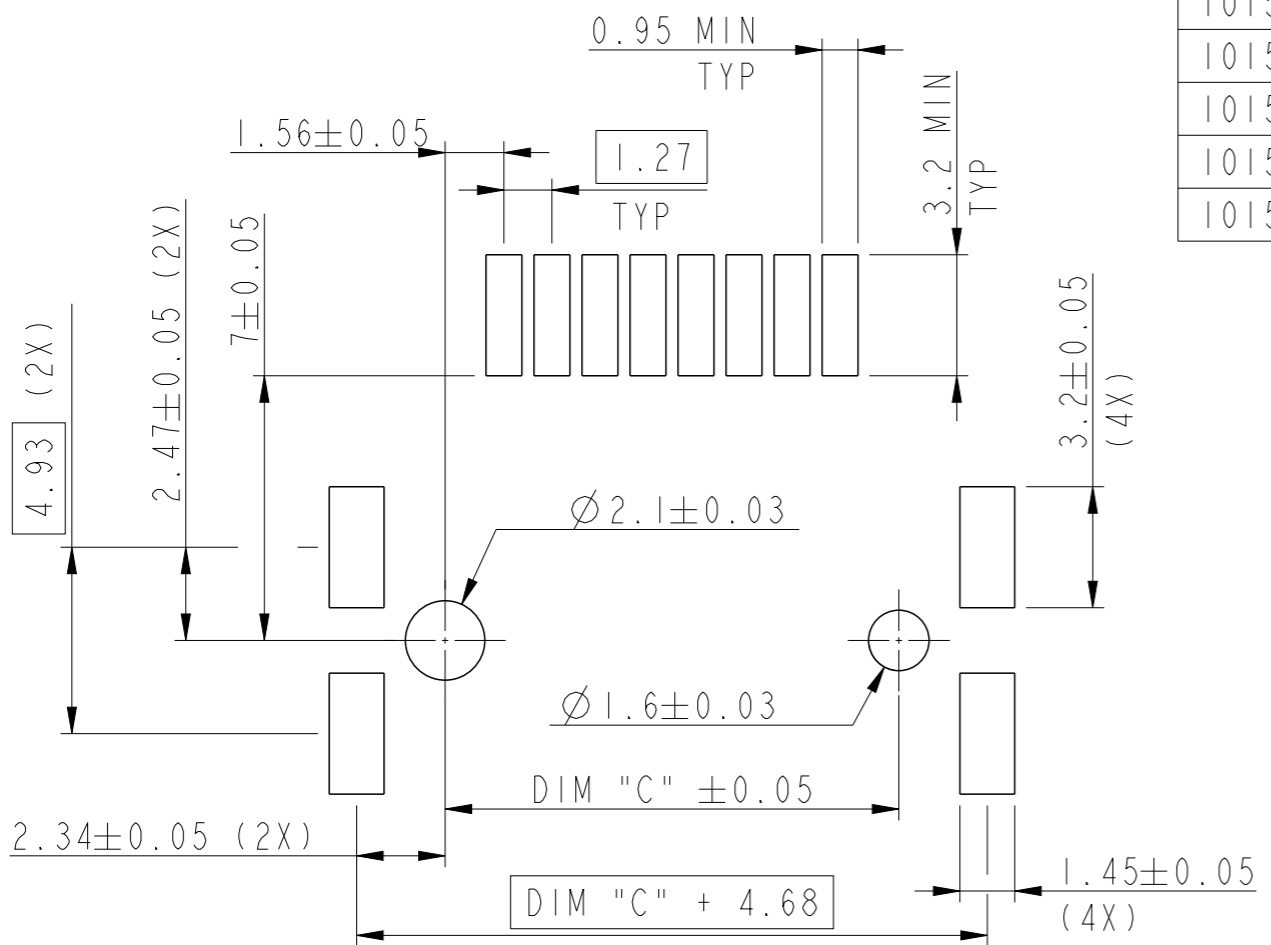


COD C VIEWS AND DIMENSIONS



spec ref	GS-12-1634	dr	Sawanth, Ambaa	2020/06/01		mm	size	A3	scale	5:1
tolerance std	ISO 406 ISO 1101	eng	Cyril Jeune	2021/05/12			ecn no	ELX-F-39022-1		
surface linear angular	TOLERANCES UNLESS OTHERWISE SPECIFIED 0.X ±0.3 0.XX ±0.1 0.XXX ± 0° ±2°	chr	Canque, Vincen	-			rel level	Released		
		appr	Vallière, Jérô	2021/05/17			product family	-		
ISO 1302		Amphenol FCi			HEADER ASSY STG TOP LATCH MINITEK MicroSpaceXS		dwg no 10155500	rev B		
cat. no. -					Product - Customer Drw			sheet 2 of 3		

PART NO.	NO. OF POSN	DIM "A"	DIM "B"	DIM "C"	DIM "D"	DIM E"
10155500-A102KLF	02	09.22	10.56	03.94	N/A	N/A
10155500-A103KLF	03	09.95	11.29	04.97	0.59	N/A
10155500-A104KLF	04	11.22	12.56	06.92	0.76	N/A
10155500-A105KLF	05	12.49	13.83	08.19	0.72	N/A
10155500-A106KLF	06	13.76	15.10	09.46	0.76	N/A
10155500-A107KLF	07	15.03	16.37	10.73	0.76	N/A
10155500-A108KLF	08	16.30	17.64	12.00	0.76	N/A
10155500-A109KLF	09	17.57	18.91	13.27	0.76	N/A
10155500-A110KLF	10	18.84	20.18	14.54	0.76	N/A
10155500-A111KLF	11	20.11	21.45	15.81	0.76	N/A
10155500-A112KLF	12	21.38	22.72	17.08	N/A	1.10
10155500-A113KLF	13	22.65	23.99	18.35	N/A	1.10
10155500-A114KLF	14	23.92	25.26	19.62	N/A	1.50
10155500-A115KLF	15	25.19	26.53	20.89	N/A	1.50
10155500-A116KLF	16	26.46	27.80	22.16	N/A	1.50



spec ref	GS-12-1634	dr	Sawanth, Ambaa	2020/06/01	projection	mm	size	A3	scale	5:1		
tolerance std	ISO 406 ISO 1101	eng	Cyril Jeune	2021/05/12			ecn no	ELX-F-39022-1				
TOLERANCES UNLESS OTHERWISE SPECIFIED		chr	Canque, Vincen	-				rel level	Released			
surface	linear	0.X	±0.3		product family	-	dwg no	10155500			rev	
		0.XX	±0.1					-				B
	angular	0°	±2°					-				
ISO 1302				cat. no.	-	Product - Customer Drw	sheet 3 of 3					