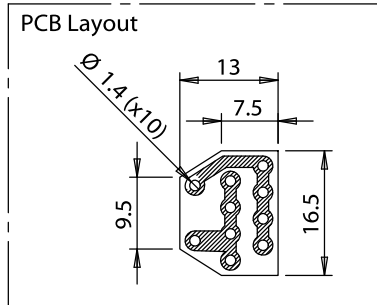
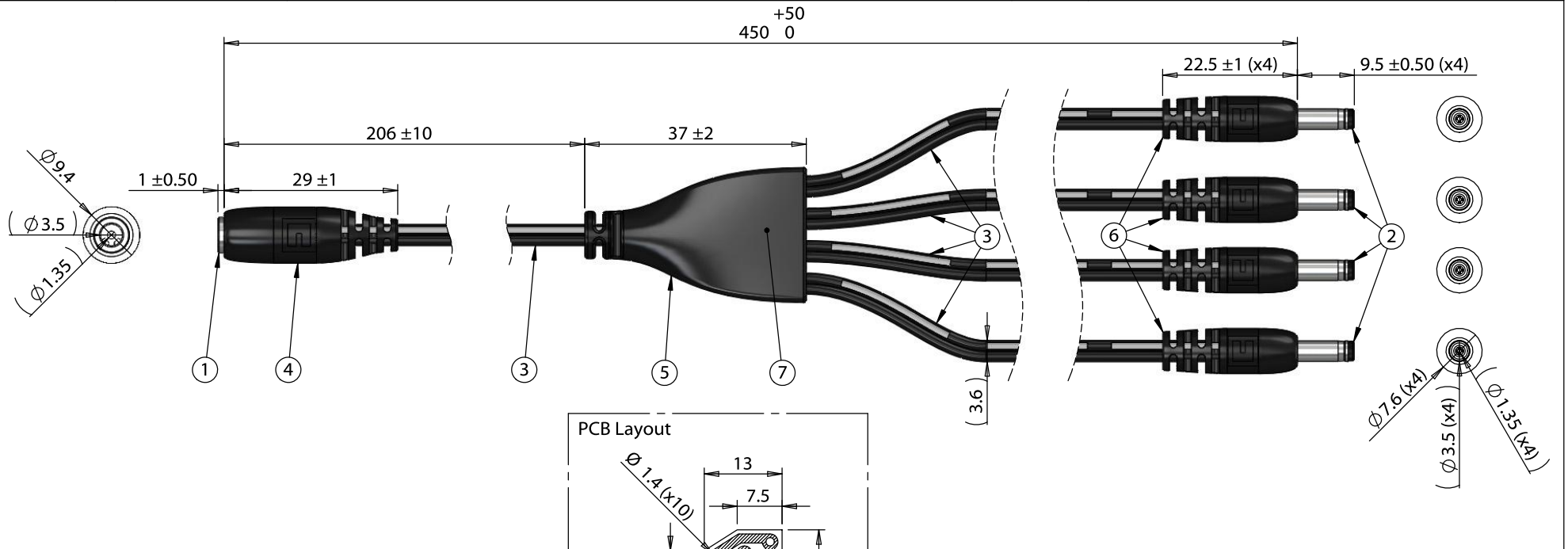


ITEM NO.	PART NUMBER	DESCRIPTION	QTY.	COMPONENT NOTES
1	50-00057	Connector, dc jack, 3.5x1.35x16.5 mm, molding style	1	
2	50-00056	Connector, dc plug, 3.5x1.35xL20mm, molding style, spring contacts	4	
3	30-00003	Wire, 2C BC, 24 AWG, UL2468, 300V, 80C, 3.6 mm, VW-1, PVC, 76A	5	
4	24-00005	Overmold, PVC	1	black
5	24-00219	Overmold, splitter, Ø 8.0 mm by 10.0x22.6 mm	1	black
6	24-00002	Overmold, PVC	4	black
7	PCB	Splitter PCB, FR4, two-layer, tin, 13.0x16.5x1.6 mm	1	



Wiring Diagram		
50-00057	wire color	50-00056
center	black with stripe	center
sleeve	black	sleeve

**Notes:**  
Functionally equivalent components may be substituted

Revision:	Date:	Description:	Prepared:	Notes:	<h1>TENSILITY</h1> <p>tel 1.541.323.3228 800 877.670.7118 fax 1.541.323.4202 web tensility.com</p>
A	4/11/2018	Initial release	JP <small>Digitally signed by JP Date: 2018.04.11 09:57:38 -07'00'</small>	RoHS compliant Function test: no open, no short circuit, no intermittent	
			Verified: AW <small>Digitally signed by AW Date: 2018.04.11 10:00:09 -07'00'</small>	Description: Cable, 450 mm, 3.5x1.35 mm 50-00057 dc jack to y-split to 4x 3.5x1.35x9.5mm 50-00056 dc plug, 24 AWG	Size: A Part number: 10-02751
			Dimensions are in millimeters. Tolerances: X: ± 0.5 mm X.X: ± 0.3 mm X.XX: ± 0.05 mm	Scale: 1:1	Sheet 1 of 1

5 4 3 2 1