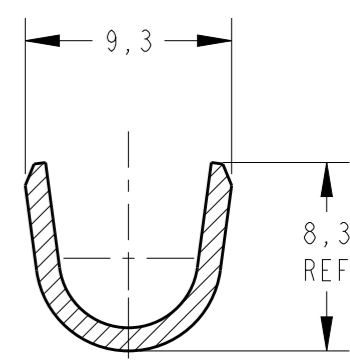
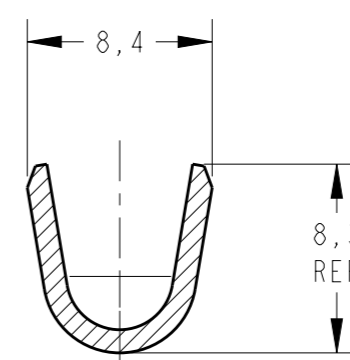
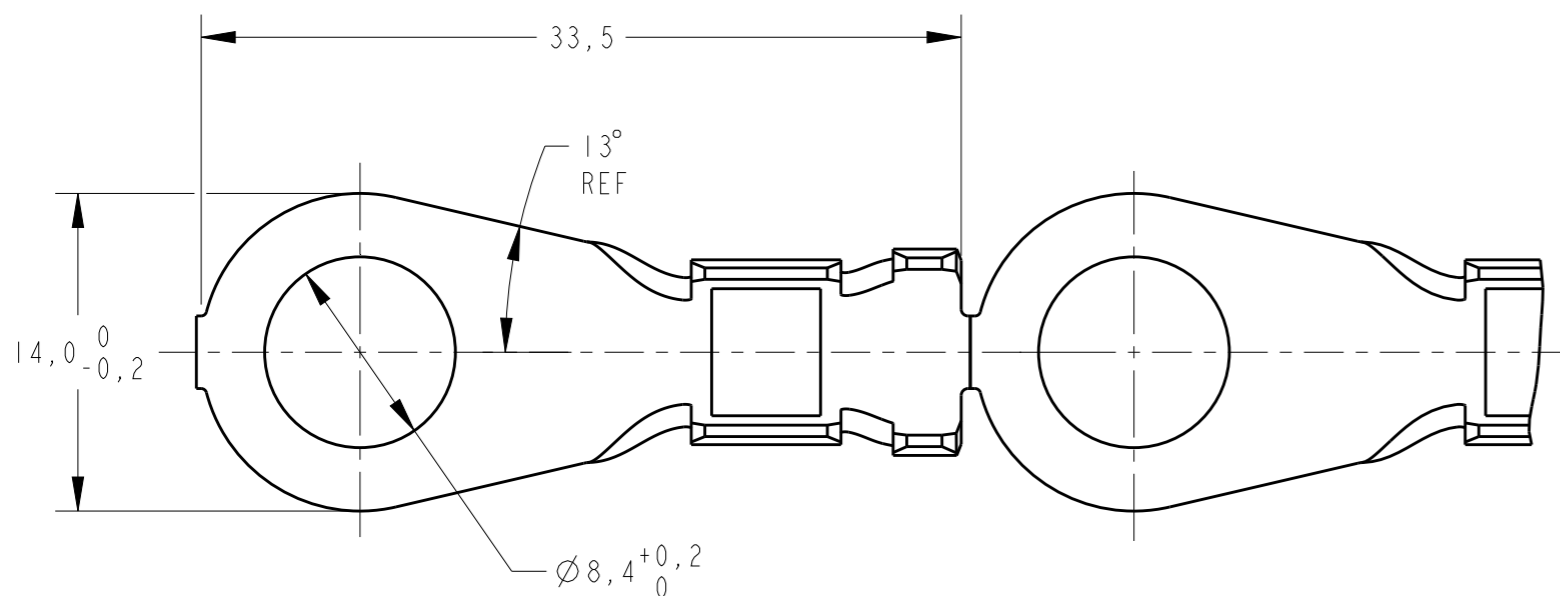


creo  
Creo Parametric 2.0  
**DO NOT REVISE  
EXCEPT BY CAD**

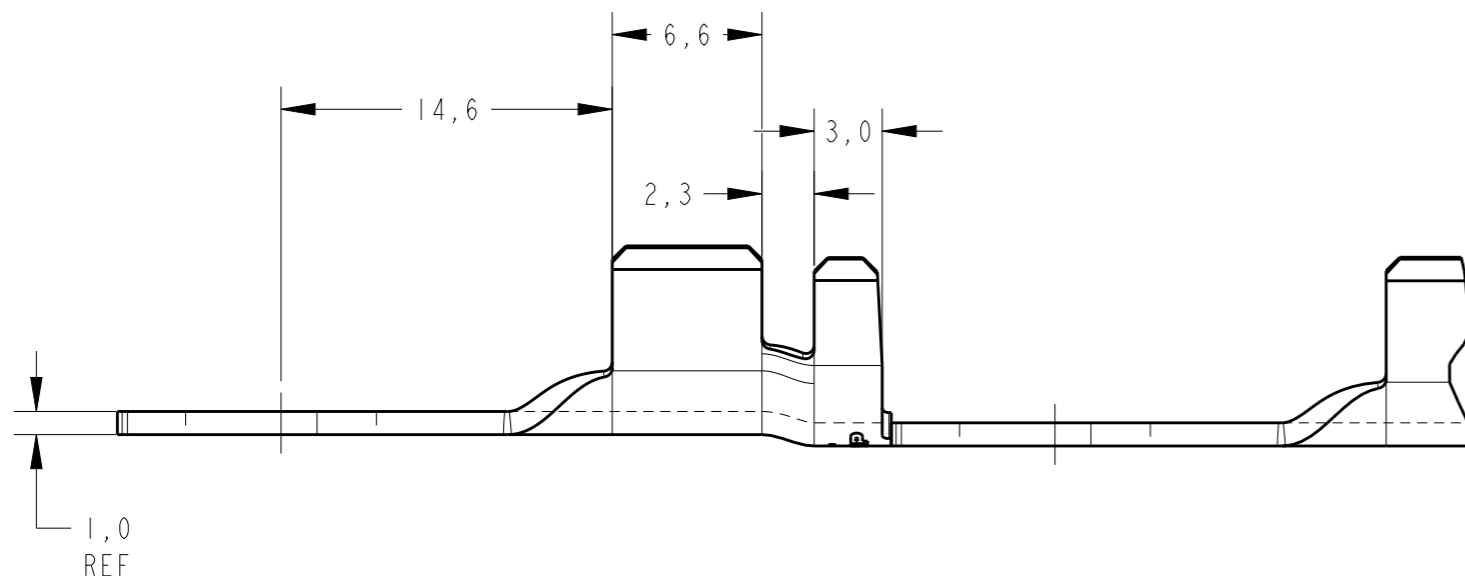
REVISIONS

| P | LTR | DESCRIPTION                 | DATE      | DWN | APVD |
|---|-----|-----------------------------|-----------|-----|------|
|   | A   | REDRAW BY CAD ECO-14-013530 | 08SEP2014 | NCL | LWP  |
|   | AI  | REV.BY ECO 16-006124        | 10JUN2016 | HC  | WLS  |



SECTION A-A  
SCALE 3:1

SECTION B-B  
SCALE 3:1



|          |                    |                  |          |
|----------|--------------------|------------------|----------|
| OBSOLETE | ESTANHADO / TINNER | BRONZE FOSFOROSO | 881001-4 |
|          | —                  | BRONZE FOSFOROSO | 881001-3 |
|          | ESTANHADO / TINNER | LATÃO / BRASS    | 881001-2 |
| OBSOLETE |                    | LATÃO / BRASS    | 881001-1 |
|          | FINISH             | MATERIAL         | PART NO  |

|              |             |
|--------------|-------------|
| Ø 4,6-6,6mm. | 6,0-10,0mm2 |
| INSUL RANGE  | WIRE RANGE  |

THIS DRAWING IS A CONTROLLED DOCUMENT.

|             |           |
|-------------|-----------|
| DWN         | 08SEP2014 |
| NCLAPRESA   |           |
| CHK         | 08SEP2014 |
| FCHRISTIANO |           |
| APVD        | 08SEP2014 |
| IWPRADO     |           |

**STE** TE Connectivity

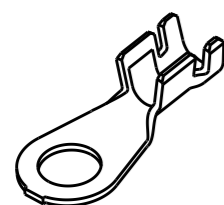
| DIMENSIONS: | TOLERANCES UNLESS OTHERWISE SPECIFIED: |
|-------------|--|
| mm          |  |
| 0 PLC       | ±-                                     |
| 1 PLC       | ±0,5                                   |
| 2 PLC       | ±-                                     |
| 3 PLC       | ±-                                     |
| 4 PLC       | ±-                                     |
| ANGLES      | ±°                                     |

|                  |   |
|------------------|---|
| PRODUCT SPEC     | - |
| APPLICATION SPEC | - |
| WEIGHT           | - |

| NAME          | SIZE | CAGE CODE | DRAWING NO | RESTRICTED TO |
|---------------|------|-----------|------------|---------------|
| - RING TONGUE | A3   | 00779     | C-881001   | -             |

|           |           |
|-----------|-----------|
| MATERIAL  | FINISH    |
| SEE TABLE | SEE TABLE |

|                  |           |              |        |
|------------------|-----------|--------------|--------|
| Customer Drawing | SCALE 3:1 | SHEET 1 OF 1 | REV AI |
|------------------|-----------|--------------|--------|



PERSPECTIVE VIEW  
SCALE 1:1