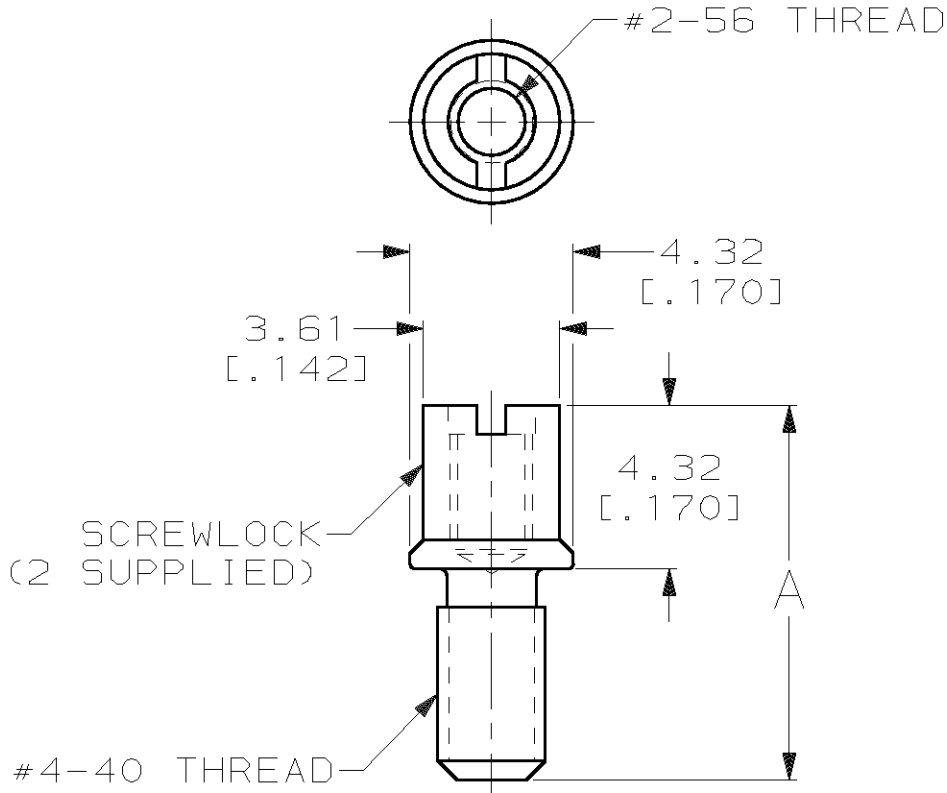


LOC	DIST	REVISIONS					
BD	95	P	LTR	DESCRIPTION	DATE	DWN	APVD
			B	REV PER ECN BD6083	07 AUG 92	-	RW
			C	OBS -2 PER EC 0020-481-96	13 FEB 97	DH	LB
			D	REACTIVATED -2	29 JAN 99	BC	DR
				PER EC 0G40-30-99			



1. KIT TO BE USED WITH CONNECTORS MOUNTED TO PANELS HAVING A THICKNESS OF 1.19[.047].

2 COMPONENTS BULK PACKED.

3 INDIVIDUAL KIT PACKAGE.

2/2	9.91 [.390]	750831-2
2/3	9.91 [.390]	750831-1
QUANTITY	A	PART NO

RELEASED FOR PUBLICATION

THIS DRAWING IS UNPUBLISHED.

BY AMP INCORPORATED. ALL RIGHTS RESERVED.

DIMENSIONS: mm [INCHES]	DWN	M.E.SHIRK	30 SEP 91	MATERIAL	-	FINISH	-	
	CHK	J.P.HUSS	30 SEP 91	AMP Incorporated Harrisburg, PA 17105-3608				
TOLERANCES UNLESS OTHERWISE SPECIFIED:	APVD	R.N.WHITEMAN	01 OCT 91					
	0 PLC	±-	PRODUCT SPEC	108-1366	NAME			SCREWLOCK KIT, FEMALE, SLIMLINE, AMPLIMITE™ .050 SERIES
1 PLC	±-	APPLICATION SPEC	114-40036	SIZE	A4	CAGE CODE	00779	
2 PLC	±0.38[.015]	WEIGHT	-	DRAWING NO	C-750831			
3 PLC	±-	CUSTOMER DRAWING			SCALE	5:1	SHEET	1 OF 1
4 PLC	±-						REV	D
ANGLES	±-							