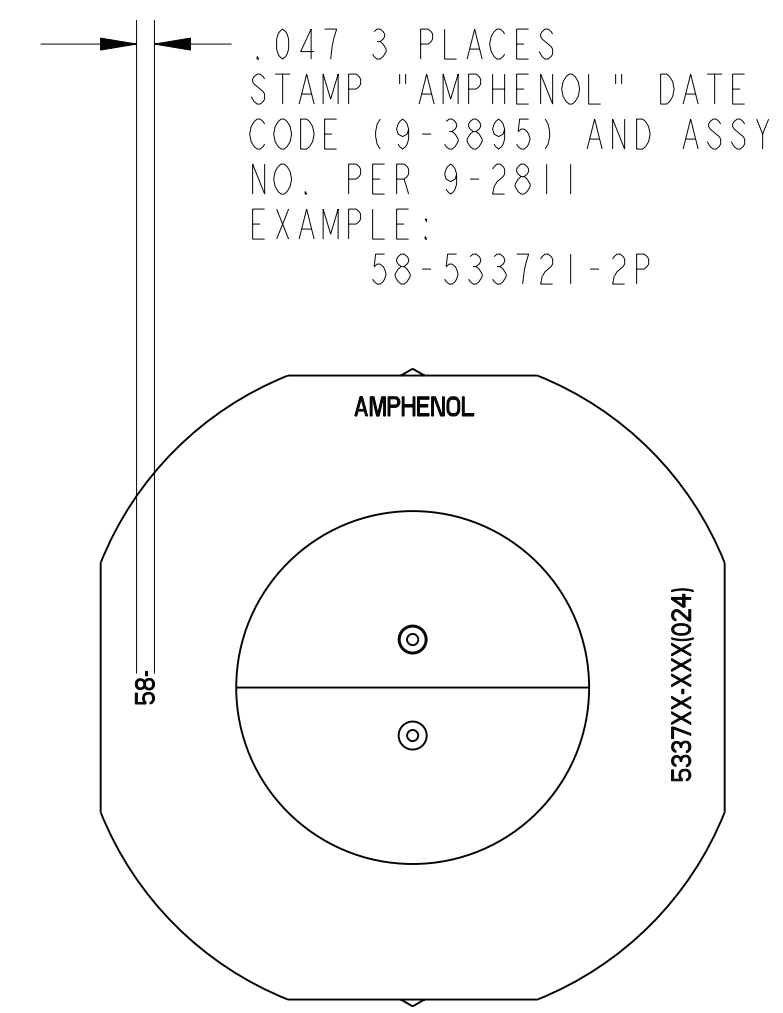
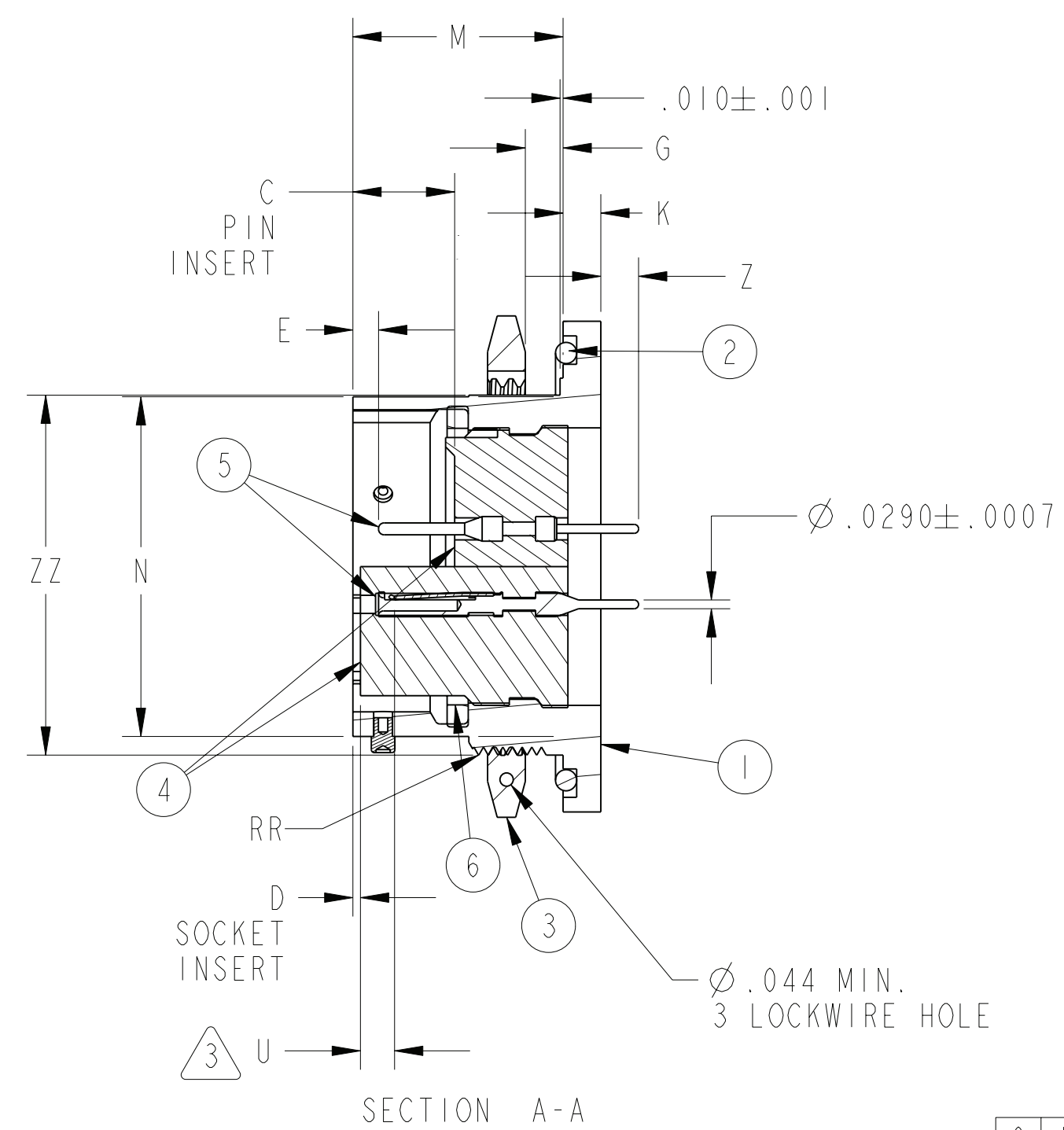
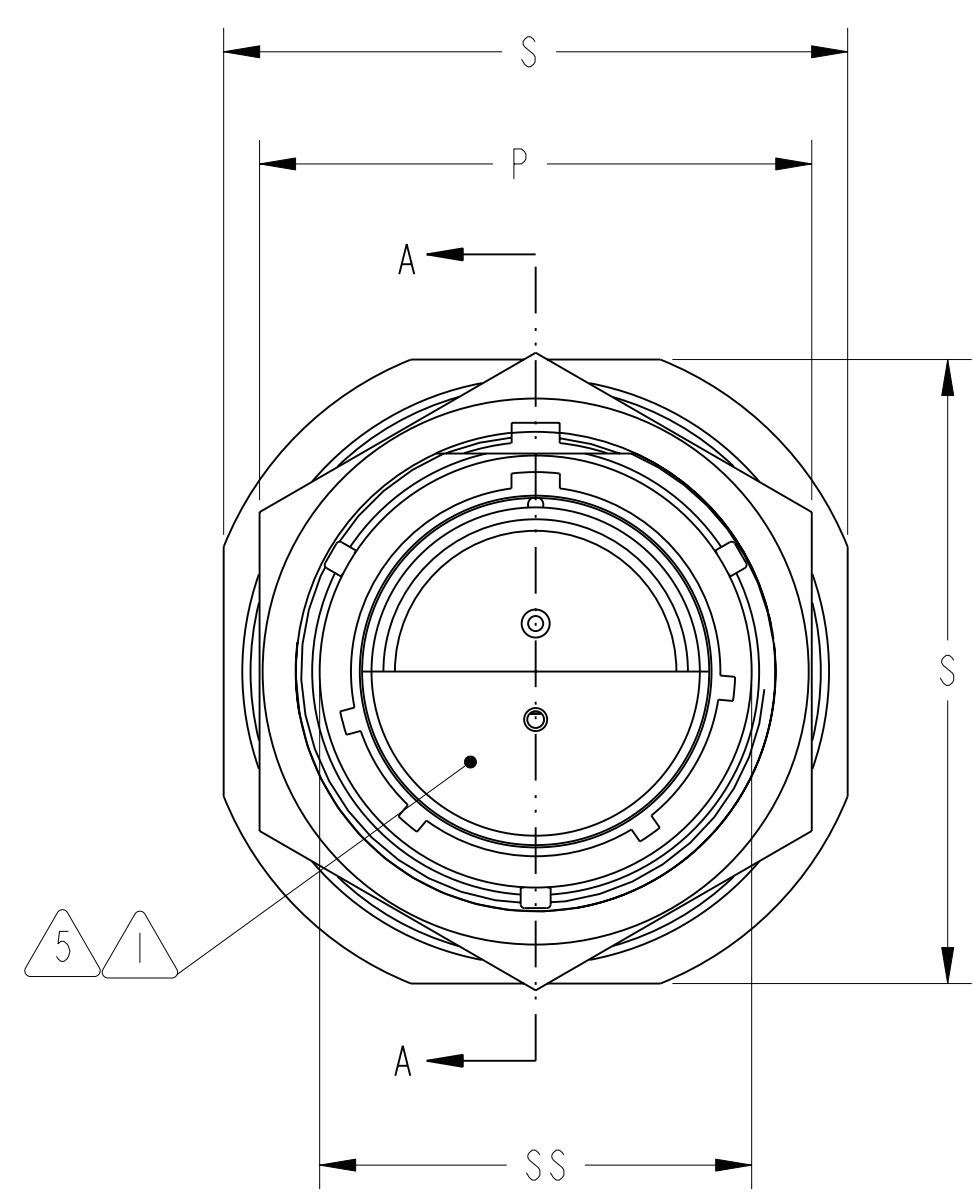


ACCESSORIES
(NOT PART OF STANDARD ASSEMBLY)
SEE DRAWING 10-150000

REVISIONS			
LTR	DESCRIPTION	DATE	APPVD
A	INITIAL RELEASE NUM: -----		
B	(CL 11) SEE ECN: 97133	02/12/07	J. BIANCHI
C	(CL 11) SEE ECN A3037	7-13-07	N. VANDEWEERT



SEE SHEET 2.

NOTES:
WARNING: IF THIS BOX IS CHECKED: THIS DRAWING HAS BEEN MODIFIED BY HAND-DRAFTING WITHOUT COMPUTER UPDATING

THE USE OF THIS DOCUMENT IS UNLIMITED. HOWEVER, DOCUMENTS REFERENCED HEREON MAY CONTAIN LIMITED RIGHTS DATA.

PRO/ENGINEER INFORMATION	
N/A	Pro/e Model Used:
N/A	58-627851-18.ASSEM
N/A	Drawing Name:
N/A	58-533720-29

UNLESS OTHERWISE SPECIFIED	SPECIFICATIONS
LINEAR DIMENSIONS ARE IN INCHES	MATERIAL SPEC.
TOLERANCES:	N/A
.XXXX = ±.0005	
.XXX = ±.010	
.XX = ±.03	
.X = ±.1	
ANGLES = ±2°	
OTHER STANDARDS PER 9-3800 AND DOD-D-1000	PROCESS SPEC.
THIRD ANGLE PROJECTION	TEST
	9-3353-1
	ASSY
	9-3605-1, 9-2811
	9-2437-1

POS	QTY	PART NUMBER	DESCRIPTION	NOTE
6	1	10-330914-XXI	GASKET	
5		SEE NOTE 7	CONTACTS	
4	1	10-101806/824-() P OR 10-252806/824-() P OR 10-101806/824-() S OR 10-252806/824-() S	INSERT, PIN INSERT, PIN INSERT, SOCKET INSERT, SOCKET	
3	1	10-123017-XXX	NUT	
2	1	SEE COLUMN	PACKING	
1	1	10-150903-XXX	SHELL	

APPROVALS		DATE	PARTS LIST	
PREPARED	J. BORDEAU	04-Mar-02	AMPHENOL CORPORATION	
CHECKED-ENG			AMPHENOL AEROSPACE OPERATIONS STONEY, N.Y. 13838	
APPROVED-MATERIAL LAB			CONNECTOR, ELECTRICAL, RECEPTACLE, TYPE PT-C() JFB, CONDUCTIVE BLACK ZINC COBALT	
APPROVED-PROCESS			SIZE	FSCM NO.
APPROVED-ENG-IN-CHG			C	77820
APPROVED-QUALITY			SCALE: 2.0	REF: 71-533720/729
APPROVED-ENG MGR			DOCUMENT NO.	SHEET 1 OF 2
			58-533720/729	

58-533720/729 DOCUMENT NO. SHEET 1 OF 2 REV. C

58-533720/729 DOCUMENT NO. SHEET 1 OF 2 REV. C

58-533720/729

SHEET 2 OF 2

REV. C

C

B

A

FORMAT: CPULMAY REV:04-MAR-1999 DCC

ASSEMBLY NUMBER	PT NUMBER REF	DETAIL PACKING	DIMENSIONS														
			C +.010 -.025	D +.010 -.025	E +.010 -.020	G PANEL THK		K +.011 -.010	M	ØN +.001 -.005	P HEX +.017 -.016	S	U MAX	Z +.025 -.035	RR THREAD (PLATED)	ØSS +.000 -.016	ZZ +.000 -.010
						MIN	MAX								SIZE CLASS 2A		
58-533720-()	07C-06-()(027)	10-90351-15												.4375-28 UNEF	.439	.405	
58-533721-()	07C-08-()(027)	10-90351-17												.5625-24 UNEF	.563	.530	
58-533722-()	07C-10-()(027)	10-90351-19												.6875-24 UNEF	.680	.655	
58-533723-()	07C-12-()(027)	10-90351-22	.337	.025	.085									.8750-20 UNEF	.859	.818	
58-533724-()	07C-14-()(027)	10-90351-24				.062	.125	.125	.696					1.0000-20 UNEF	.984	.942	
58-533725-()	07C-16-()(027)	10-90351-26												1.1250-18 UNEF	1.108	1.066	
58-533726-()	07C-18-()(027)	10-90351-28												1.2500-18 UNEF	1.233	1.191	
58-533727-()	07C-20-()(027)	10-90351-128							.884					1.3750-18 UNEF	1.358	1.316	
58-533728-()	07C-22-()(027)	10-90351-130	.399	.087	.147		.250	.156				.215	.367	1.5000-18 UNEF	1.483	1.441	
58-533729-()	07C-24-()(027)	10-90351-132							.917				.334	1.6250-18 UNEF	1.610	1.566	



9. UNITS ILLUSTRATED MEET THE APPLICABLE REQUIREMENTS OF MIL-C-26482.
8. FOR MAXIMUM SEALING EFFICIENCY, APPLY A LIGHT COAT OF COMPOUND (MIL-S-8660) TO PACKING.
7. SEE SEPARATE PARTS LIST FOR COMPONENT PART NUMBERS AND QUANTITIES.
6. SEE DRAWING 58-146606 THRU 58-146650 AND OTHERS FOR REQUIRED MATING PLUG ASSEMBLY.
5. INSERTS AND CONTACTS MUST NOT BE REMOVED.
4. SEE WORK ORDER FOR PERMISSIBLE ADDITIONAL OR ALTERNATE STAMPING.
3. DISTANCE BETWEEN END OF SHELL AND THE POINT AT WHICH A GAGE PIN, HAVING THE SAME BASIC DIAMETER AS THE MATING CONTACT AND A SQUARE FACE, ENGAGES SOCKET CONTACT SPRING.
2. TO COMPLETE ASSEMBLY NUMBER AND PT NUMBER REF, ADD APPLICABLE INSERT ARRANGEMENT SUFFIX TO BASE NUMBERS LISTED ABOVE PER 9-2437-1.
1. FOR CONTACT ARRANGEMENTS SEE DRAWINGS L-15206-() THRU L-15250-().

NOTES:

THIS DOCUMENT CONTAINS PROPRIETARY INFORMATION AND SUCH INFORMATION MAY NOT BE DISCLOSED TO OTHERS FOR ANY PURPOSE OR USED FOR MANUFACTURING PURPOSES WITHOUT WRITTEN PERMISSION FROM THE AMPHENOL CORPORATION.

SIZE C	FSCM NO. 77820	DOCUMENT NO. 58-533720/729	REV. C
SCALE: 1.5		REF: 71-533720/729	SHEET 2 OF 2

SHEET 2 OF 2

58-533720/729

A

REV. C