

- 1
- 2
- 3
- 4
- 5
- 6
- 7
- 8
- 9
- 10
- 11
- 12
- 13
- 14
- 15
- 16
- 17
- 18

**MATERIAL**

- Mount: polyamide based (PA) technopolymer with NBR synthetic rubber packing ring.
- Flange: glass-fibre reinforced polyamide based (PA) technopolymer, threaded connector with flat gasket in cork impregnated MGS based rubber
- Basket: polypropylene based (PP) technopolymer.

**COLOUR**

Black, matte finish.

**MOUNTING**

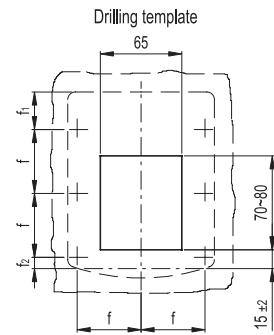
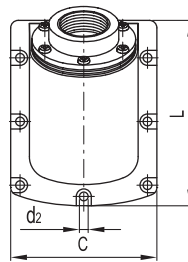
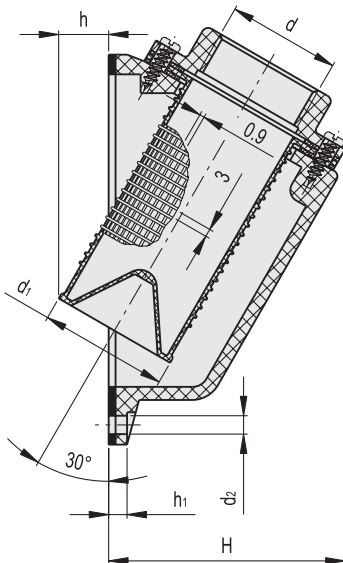
Flange and basket are fitted to the mount by means of six zinc-plated steel self-tapping screws TC-N10 (Ø 4.8x19) UNI 6951-DIN 7971, supplied.  
The mount is fitted to the reservoir by means of seven M6 screws and relative washers (not supplied).  
Maximum recommended tightening torque: 8 Nm.

**NOTE**

The breather cap to be coupled to the flange is not included in the supply and has to be ordered separately.  
Depending on the customer's requirements, can be used breather caps type SFN. (see page 1693), SFP. (see page 1698), SFW. (see page 1712).

**SPECIAL EXECUTIONS ON REQUEST**

Mount with threaded flange without basket (PLRF).



**BSP**

**METRIC**

Code	Description	d	L	C	H	d1	d2	h	h1	f	f1	f2	△
49411	PLRF+C	G 1/4	148.5	117	92	49	7	18	7	51	30	9	335