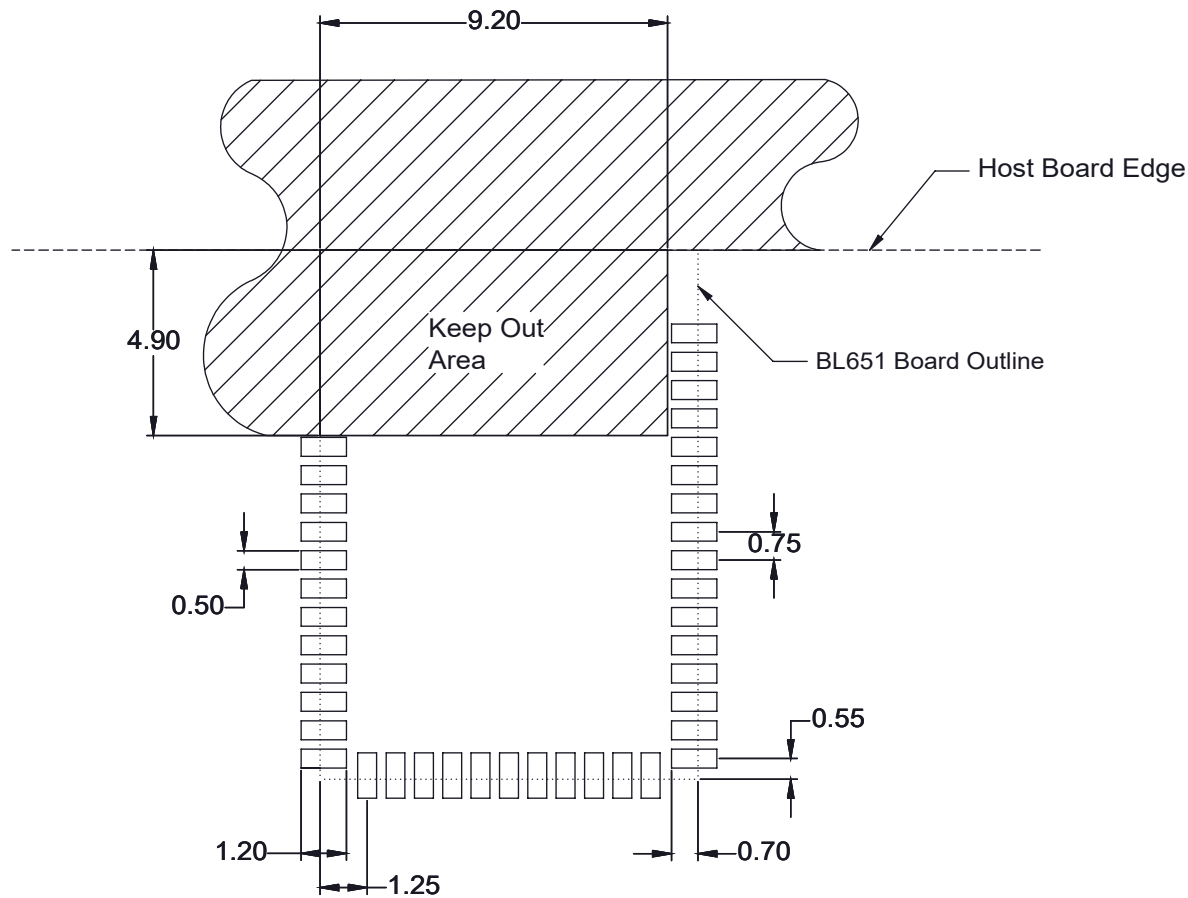



DO NOT SCALE



Laird			
Title: Host PCB Land Pattern			
TOLERANCE UNLESS STATED		MATERIAL	DRAWN: S Query
x +/- 0.3	x.xx +/- 0.03	FINISH	CHECKED
x.x +/- 0.1		COLOUR	APPROVED
DIMENSIONS IN MM UNLESS STATED	SCALE	 THIRD ANGLE PROJECTION	DWG No. BL651
PROJECT: BL651			Page 1 of 1