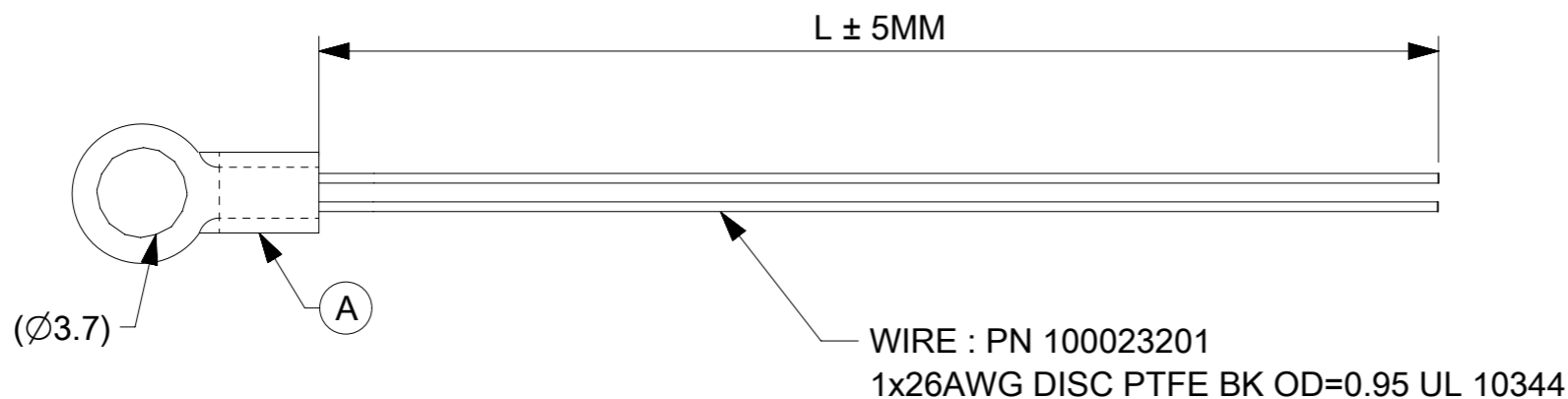


BILL OF MATERIALS:

| ITEM | PN | DESCRIPTION | QTY | UOM |
|------|------------------------------|------------------------------|-----|-----|
| A | NTC PROBE (Refer Sheet 2) | NTC Thermistor Ring Terminal | 1 | PC |



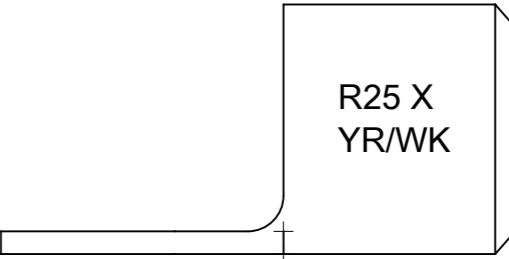
NOTES:

1. RESISTANCE TO BE TESTED 100% AT 25°C ▽
2. RESISTANCE TOLERANCE @ 25°C : SEE CHART (SHEET 2).
3. B-VALUE(25/85°C) : SEE CHART (SHEET 2)
4. OPERATING TEMPERATURE RANGE : -40°C TO +105°C.
5. RING TERMINAL MOUNTING HOLE DIAMETER : 3.7MM
6. TERMINAL MUST BE NICKEL PLATED COPPER.
7. VOLTAGE BREAKDOWN STRENGTH : MIN 1500VAC FOR 3SEC BETWEEN CONDUCTOR AND EYELET/RING LUG
8. RESPONCE TIME : APPROX 5 SECOND IN WATER
- 9.INSULATION RESISTANCE :MINIMUM OF 100MOHM @ 500VOLTS DC IN METALIC BALLS
- 10.LENGTH VARIATION BETWEEN TWO WIRES ARE NOT ALLOWED


| | | | | | | | | | |
|---|--|-------|-------------------------|---------|--------|---|--|--|--|
| THIS DRAWING CONTAINS INFORMATION THAT IS PROPRIETARY TO MOLEX ELECTRONIC TECHNOLOGIES, LLC AND SHOULD NOT BE USED WITHOUT WRITTEN PERMISSION | | | | | | | | | |
| SYMBOLS | DIMENSION UNITS | SCALE | CURRENT REV DESC: | | | | | | |
| | mm | NTS | | | | | | | |
| ▽ = 0 | GENERAL TOLERANCES (UNLESS SPECIFIED) | | EC NO: 644545 | | | NTC THERMISTOR RING TERMINAL PROBE PRODUCT CUSTOMER DRAWING | | | |
| ▽ = 0 | ANGULAR TOL ± ° | | DRWN: RAVIKM 2020/09/02 | | | | | | |
| ▽ = 0 | 4 PLACES ± | | CHK'D: RK 2020/09/03 | | | DOCUMENT NUMBER: 2146501633 DOC TYPE: PSD DOC PART: 000 REVISION: A2 | | | |
| ▽ = 0 | 3 PLACES ± | | APPR: RK 2020/09/03 | | | | | | |
| ▽ = 0 | 2 PLACES ± | | INITIAL REVISION: | | | MATERIAL NUMBER: SEE SPEC TABLE CUSTOMER: GENERAL MARKET SHEET NUMBER: 1 OF 2 | | | |
| ▽ = 0 | 1 PLACE ± | | DRWN: RAVIKM 2020/02/25 | | | | | | |
| ▽ = 0 | 0 PLACES ± | | APPR: RK 2020/03/05 | | | | | | |
| □ = 0 | DRAFT WHERE APPLICABLE MUST REMAIN WITHIN DIMENSIONS | | THIRD ANGLE PROJECTION | DRAWING | SERIES | | | | |
| ▽ = 0 | | | | A3-SIZE | 214650 | | | | |

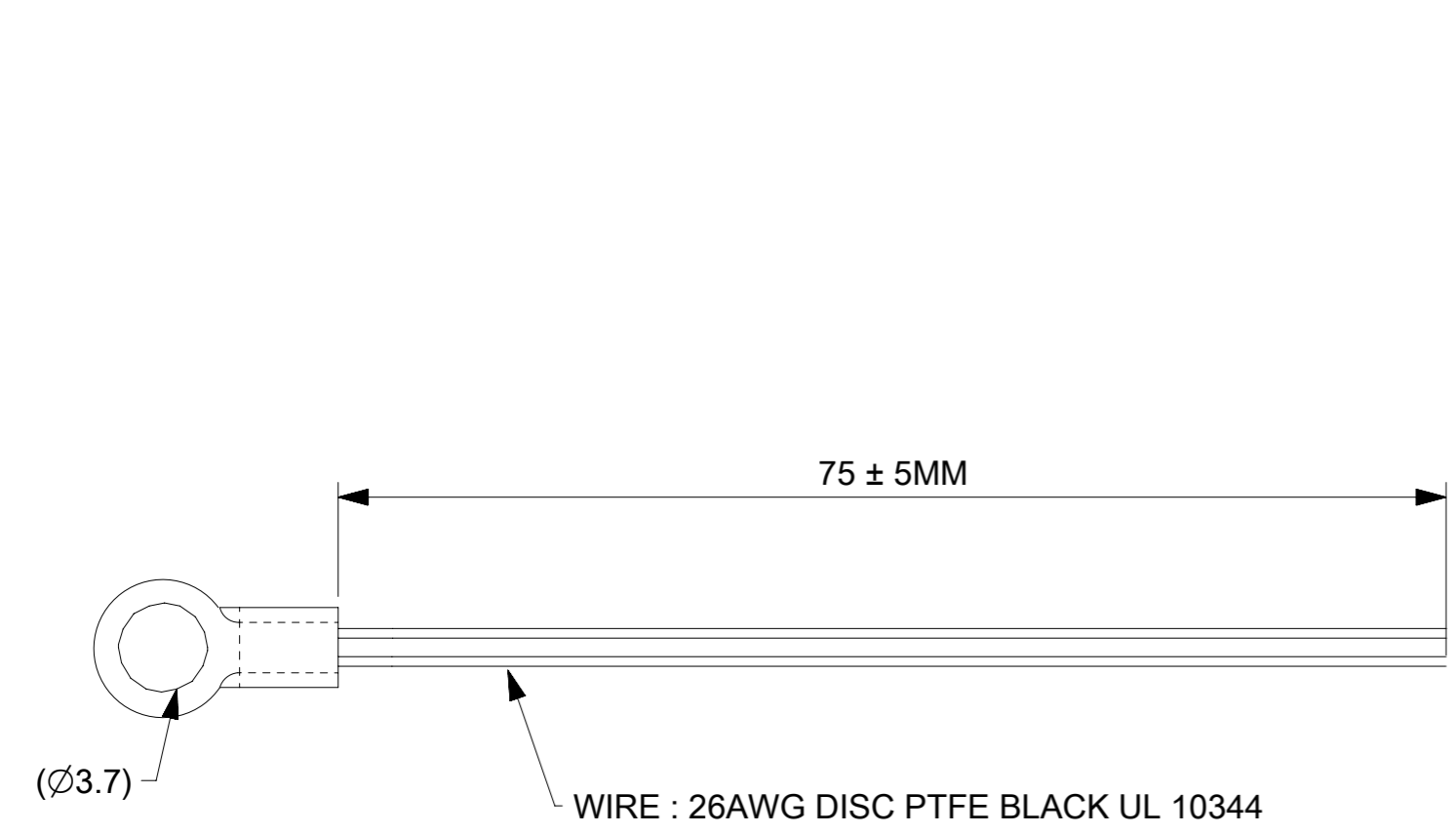
| PART NO | NTC PROBE PN | RESISTANCE AT 25°C (KΩ) | RESISTANCE TOLERANCE (±%) | B VALUE (25/85°C) | B VALUE TOLERANCE (±%) | WIRE LENGTH (L)MM |
|------------|--------------|-------------------------|---------------------------|-------------------|------------------------|-------------------|
| 2146501633 | 369050096 | 10K | 1 | 3500 | 1 | 75mm |
| 2146502633 | 369050097 | 10K | 2 | 3500 | 1 | 75mm |
| 2146521633 | 369050098 | 10K | 1 | 3800 | 1 | 75mm |
| 2146522633 | 369050099 | 10K | 2 | 3800 | 1 | 75mm |
| 2146541633 | 369050100 | 10K | 1 | 3964 | 1 | 75mm |
| 2146542633 | 369050101 | 10K | 2 | 3964 | 1 | 75mm |
| 2146551633 | 369050102 | 10K | 1 | 3982 | 1 | 75mm |
| 2146552633 | 369050103 | 10K | 2 | 3982 | 1 | 75mm |

LASER MARKING DETAILS



| B VALUE | CODE(X) |
|---------|---------|
| 3500 | MA |
| 3800 | MB |
| 3964 | MC |
| 3982 | MD |

| | | | |
|---|---|---|---|
| SYMBOLS ▽ = 0 ▽ = 0 ▽ = 0 ▽ = 0 ▽ = 0 ▽ = 0 ▽ = 0 ▽ = 0 ▽ = 0 ▽ = 0 ▽ = 0 | THIS DRAWING CONTAINS INFORMATION THAT IS PROPRIETARY TO MOLEX ELECTRONIC TECHNOLOGIES, LLC AND SHOULD NOT BE USED WITHOUT WRITTEN PERMISSION DIMENSION UNITS: mm SCALE: NTS | CURRENT REV DESC: EC NO: 644545 DRWN: RAVIKM 2020/09/02 CHK'D: RK 2020/09/03 APPR: RK 2020/09/03 |  NTC THERMISTOR RING TERMINAL PROBE |
| | GENERAL TOLERANCES (UNLESS SPECIFIED) ANGULAR TOL ± ° | | PRODUCT CUSTOMER DRAWING |
| | INITIAL REVISION: DRWN: RAVIKM 2020/02/25 APPR: RK 2020/03/05 | | DOCUMENT NUMBER: 2146501633 DOC TYPE: PSD DOC PART: 000 REVISION: A2 |
| | DRAFT WHERE APPLICABLE MUST REMAIN WITHIN DIMENSIONS | | THIRD ANGLE PROJECTION DRAWING: A3-SIZE SERIES: 214650 MATERIAL NUMBER: SEE SPEC TABLE CUSTOMER: GENERAL MARKET SHEET NUMBER: 2 OF 2 |



LASER MARKING DETAILS

R25 X
YR/WK

| | |
|---------|---------|
| B VALUE | CODE(X) |
| 3500 | MA |

RESISTANCE VS TEMP CHARACTERISTICS:

| Temp(°C) | R min (KΩ) | R nom (KΩ) | R max (KΩ) | Temp(°C) | R min (KΩ) | R nom (KΩ) | R max (KΩ) |
|----------|------------|------------|------------|----------|------------|------------|------------|
| -40 | 208.9 | 218.8 | 229.0 | 50 | 3.987 | 4.084 | 4.182 |
| -35 | 157.2 | 164.1 | 171.3 | 55 | 3.375 | 3.463 | 3.552 |
| -30 | 119.5 | 124.4 | 129.5 | 60 | 2.870 | 2.949 | 3.030 |
| -25 | 91.650 | 95.170 | 98.800 | 65 | 2.450 | 2.522 | 2.595 |
| -20 | 70.960 | 73.490 | 76.090 | 70 | 2.100 | 2.165 | 2.231 |
| -15 | 55.340 | 57.170 | 59.050 | 75 | 1.807 | 1.865 | 1.925 |
| -10 | 43.510 | 44.840 | 46.210 | 80 | 1.560 | 1.613 | 1.667 |
| -5 | 34.490 | 35.460 | 36.450 | 85 | 1.351 | 1.399 | 1.448 |
| 0 | 27.530 | 28.240 | 28.970 | 90 | 1.175 | 1.218 | 1.262 |
| 5 | 22.120 | 22.650 | 23.170 | 95 | 1.024 | 1.063 | 1.104 |
| 10 | 17.900 | 18.280 | 18.670 | 100 | 0.896 | 0.931 | 0.968 |
| 15 | 14.580 | 14.860 | 15.140 | 105 | 0.785 | 0.818 | 0.851 |
| 20 | 11.950 | 12.150 | 12.360 | 110 | 0.691 | 0.720 | 0.750 |
| 25 | 9.850 | 10.000 | 10.150 | 115 | 0.609 | 0.636 | 0.663 |
| 30 | 8.135 | 8.274 | 8.415 | 120 | 0.539 | 0.563 | 0.588 |
| 35 | 6.755 | 6.884 | 7.013 | 125 | 0.477 | 0.499 | 0.522 |
| 40 | 5.639 | 5.756 | 5.875 | 130 | 0.415 | 0.435 | 0.456 |
| 45 | 4.73 | 4.837 | 4.945 | 135 | 0.353 | 0.371 | 0.39 |

NOTES:

- RESISTANCE TOLERANCE @ 25°C : 10KΩ±2%.
- B-VALUE(25/85°C) : 3500K±1%.
- OPERATING TEMPERATURE RANGE : -40°C TO +105°C.
- RING TERMINAL MOUNTING HOLE DIAMETER : 3.7MM.
- TERMINAL IS NICKEL PLATED COPPER.
- VOLTAGE BREAKDOWN STRENGTH : MIN 1500VAC FOR 3SEC BETWEEN CONDUCTOR AND EYELET/RING LUG
- RESPONCE TIME : APPROX 10 SECOND IN LIQUID MEDIUM
- INSULATION RESISTANCE :MINIMUM OF 100MOHM @ 500VOLTS DC IN METALIC BALLS.

| | | | | | | | |
|------------------------|---|--|-----------------------------|----------------------------|--------------------------------------|-----------------|-----------------|
| FUNCTIONAL SYMBOLS | THIS DRAWING CONTAINS INFORMATION THAT IS PROPRIETARY TO MOLEX ELECTRONIC TECHNOLOGIES, LLC AND SHOULD NOT BE USED WITHOUT WRITTEN PERMISSION | | CURRENT REV DESC: | | molex | | |
| | ▽A = 0 | mm | NTS | | | | |
| DIVISIONAL SYMBOLS | GENERAL TOLERANCES (UNLESS SPECIFIED) | | EC NO: 657688 | | PRODUCT CUSTOMER DRAWING | | |
| | ▽E = 0 | ANGULAR TOL ± ° | | DRWN: RAVIKM 2021/03/10 | | | |
| DIVISIONAL SYMBOLS | ▽F = 0 | 4 PLACES ± | CHK'D: RBBHASKAR 2021/03/17 | APPR: RBBHASKAR 2021/03/17 | DOCUMENT NUMBER 2146502633 | | |
| | ▽G = 0 | 3 PLACES ± | INITIAL REVISION: | | | DOC TYPE PSD | |
| | ▽H = 0 | 2 PLACES ± | DRWN: RAVIKM 2021/03/10 | | | | DOC PART 000 |
| | ▽I = 0 | 1 PLACE ± | APPR: RBBHASKAR 2021/03/17 | | | | |
| ▽J = 0 | 0 PLACES ± | DRAFT WHERE APPLICABLE MUST REMAIN WITHIN DIMENSIONS | | SHEET NUMBER 1 OF 1 | | | |
| THIRD ANGLE PROJECTION | | DRAWING | SERIES | | MATERIAL NUMBER | CUSTOMER | |
| | | A3-SIZE | 214650 | | 2146502633 | OTS | |