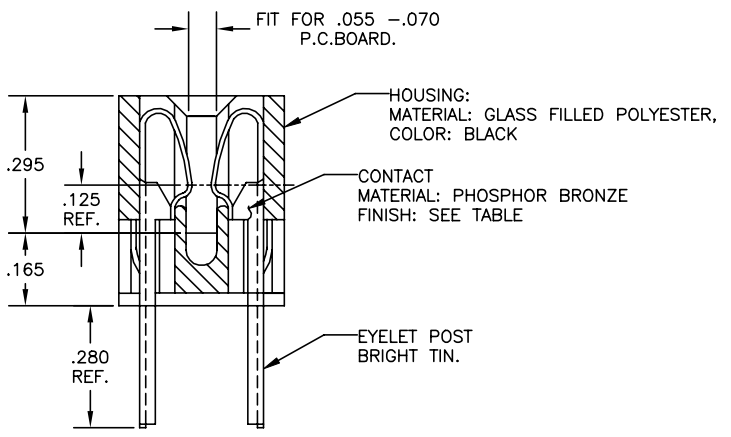
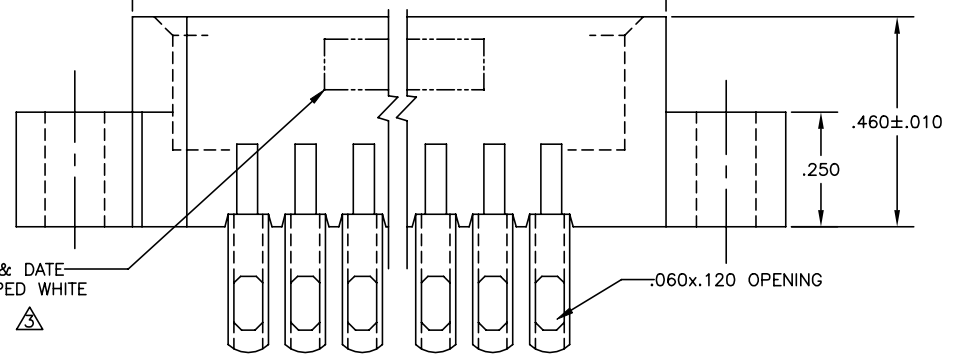
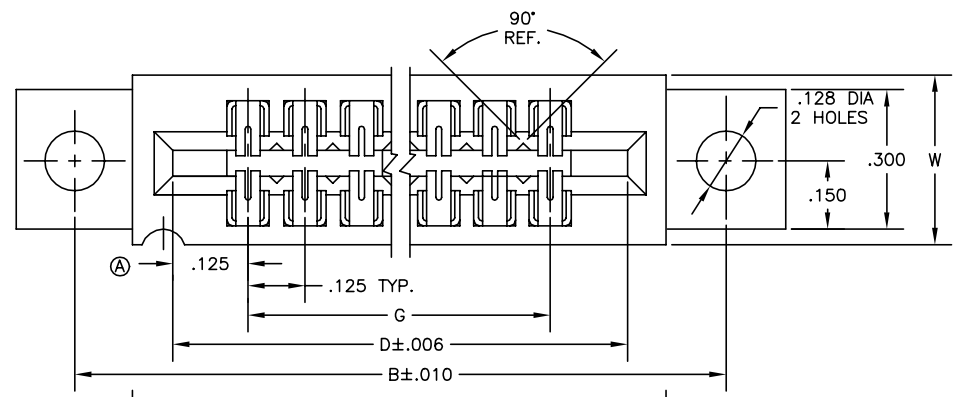
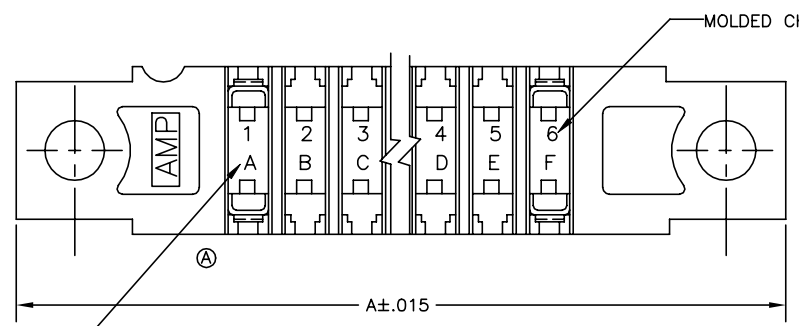


REVISIONS				
P	LTR	DESCRIPTION	DATE	DRN APVD
M2		REVISED PER ECO-20-000170	21MAY2020	KR JO



"AMP" PART NO & DATE CODE, INK STAMPED WHITE OR HOT STAMP (NO WHITE TAPE) IN THIS AREA. (SIDE OPTIONAL)



MOLDED CHARACTERS (UPPER & LOWER CASE LETTERS OMITTING LETTERS G,I,O & Q).

1. SLEEVING MAY BE REQUIRED ON ALTERNATE CONTACTS,

THIS DRAWING IS A CONTROLLED DOCUMENT.		DRN: RUMBLE 04APR75	TE Connectivity Ltd.																					
		CHK: RUMBLE 04APR75																						
DIMENSIONS: INCHES		APVD: R SHOUIMER 04APR75	NAME: HOUSING ASSY LOW PROFILE EDGE CONNECTOR, WITHSOLDER EYELET .125 CENTERS.																					
TOLERANCES UNLESS OTHERWISE SPECIFIED:		PRODUCT SPEC: -	SIZE: A2																					
<table border="1"> <tr><td>0 PLC</td><td>±</td><td>-</td></tr> <tr><td>1 PLC</td><td>±</td><td>-</td></tr> <tr><td>2 PLC</td><td>±</td><td>-</td></tr> <tr><td>3 PLC</td><td>±</td><td>-</td></tr> <tr><td>4 PLC</td><td>±</td><td>-</td></tr> <tr><td>ANGLES</td><td>±</td><td>-</td></tr> <tr><td>FINISH</td><td>-</td><td>-</td></tr> </table>		0 PLC	±	-	1 PLC	±	-	2 PLC	±	-	3 PLC	±	-	4 PLC	±	-	ANGLES	±	-	FINISH	-	-	APPLICATION SPEC: -	DRAWING NO: 00779
0 PLC	±	-																						
1 PLC	±	-																						
2 PLC	±	-																						
3 PLC	±	-																						
4 PLC	±	-																						
ANGLES	±	-																						
FINISH	-	-																						
MATERIAL: -		WEIGHT: -	CAGE CODE: C=530664																					
		CUSTOMER DRAWING	RESTRICTED TO: -																					
		SCALE: 5:1	SHEET: 1 of 2																					
			REV: M2																					

REVISIONS				
P	LTR	DESCRIPTION	DATE	DWN APVD
-		SEE SHEET 1	-	-

NOTES:

- ① .000015 MIN GOLD OVER.00005 MIN. NICKEL IN CONTACT AREA.
- ② .000030 MIN GOLD OVER.00005 MIN. NICKEL IN CONTACT AREA.
- ③ ALL PARTS ASSEMBLED IN MEXICO MUST BE STAMPED "ASSY IN MEXICO" THE WORD "MEXICO" CAN BE SUBSTITUTED ONLY WHERE PART SIZE PROHIBITS STAMPING "ASSY IN MEXICO" INK IS STAMP COLOR WHITE OR HOT STAMP (NO WHITE TAPE) 115-9009, APPROX, WHERE SHOWN, SIDE OPTIONAL,
- ④ MATTE TIN PLATED CONTACT TAILS.
- ⑤ OBSOLETE PARTS: OBSOLETE CIS STREAMLINING PER D.RENAUD/D.SINISI

④ ⑤	OBSOLETE	8-530664-2	6.125	.437	6.375	6.535	6.795	7.055	50	-
④ ⑤	OBSOLETE	8-530664-0	4.875	.437	5.125	5.285	5.545	5.805	40	-
④ ⑤	OBSOLETE	7-530664-6	3.375	.437	3.625	3.785	4.045	4.305	28	-
④ ⑤	OBSOLETE	7-530664-5	2.625	.437	2.875	3.035	3.295	3.555	22	-
④		7-530664-3	1.750	.437	2.000	2.160	2.420	2.680	15	-
	OBSOLETE	3-530664-2	6.125	.437	6.375	6.535	6.795	7.055	50	1-530664-2
	OBSOLETE	3-530664-1	5.250	.437	5.500	5.660	5.920	6.180	43	1-530664-1
	OBSOLETE	3-530664-0	4.875	.437	5.125	5.285	5.545	5.805	40	1-530664-0
	OBSOLETE	2-530664-9	4.375	.370	4.625	4.785	5.045	5.305	36	530664-9
	OBSOLETE	2-530664-8	3.750		4.000	4.160	4.420	4.680	31	530664-8
	OBSOLETE	2-530664-7	3.625		3.875	4.035	4.295	4.555	30	530664-7
	OBSOLETE	⑤ 2-530664-6	3.375		3.625	3.785	4.045	4.305	28	530664-6
	OBSOLETE	2-530664-5	2.625		2.875	3.035	3.295	3.555	22	530664-5
	OBSOLETE	2-530664-4	2.125		2.375	2.535	2.795	3.055	18	530664-4
	OBSOLETE	2-530664-3	1.750		2.000	2.160	2.420	2.680	15	530664-3
	OBSOLETE	2-530664-2	1.125		1.375	1.535	1.795	2.055	10	530664-2
	OBSOLETE	2-530664-1	6.25	.370	8.75	1.035	1.295	1.555	6	530664-1

PART NO. ②	G	W	D	C	B	A	NO.POS	PART NO. ①
THIS DRAWING IS A CONTROLLED DOCUMENT.		DWN RUMBLE 04APR75		TE Connectivity Ltd.				
DIMENSIONS: INCHES		TOLERANCES UNLESS OTHERWISE SPECIFIED:		DWN RUMBLE 04APR75		NAME		
0 PLC ± -		1 PLC ± -		APVD -		PRODUCT SPEC		
2 PLC ± -		3 PLC ± -		APVD -		APPLICATION SPEC		
4 PLC ± -		ANGLES ± -		APVD -		SIZE GAGE CODE DRAWING NO		
MATERIAL -		FINISH -		WEIGHT -		A2 00779 C=530664		
				CUSTOMER DRAWING		RESTRICTED TO		
				SCALE 1:1		SHEET 2 of 2 REV M2		