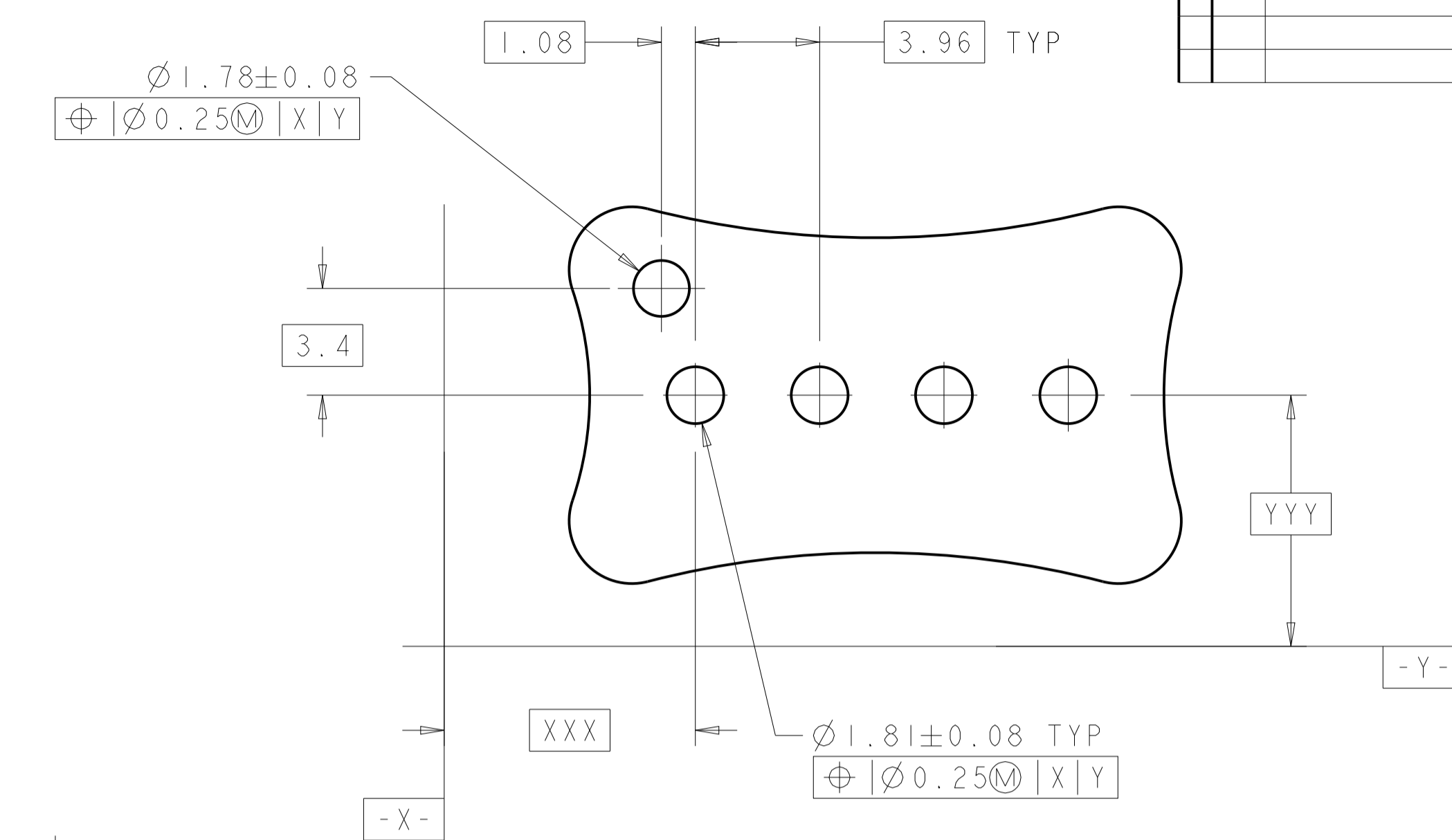
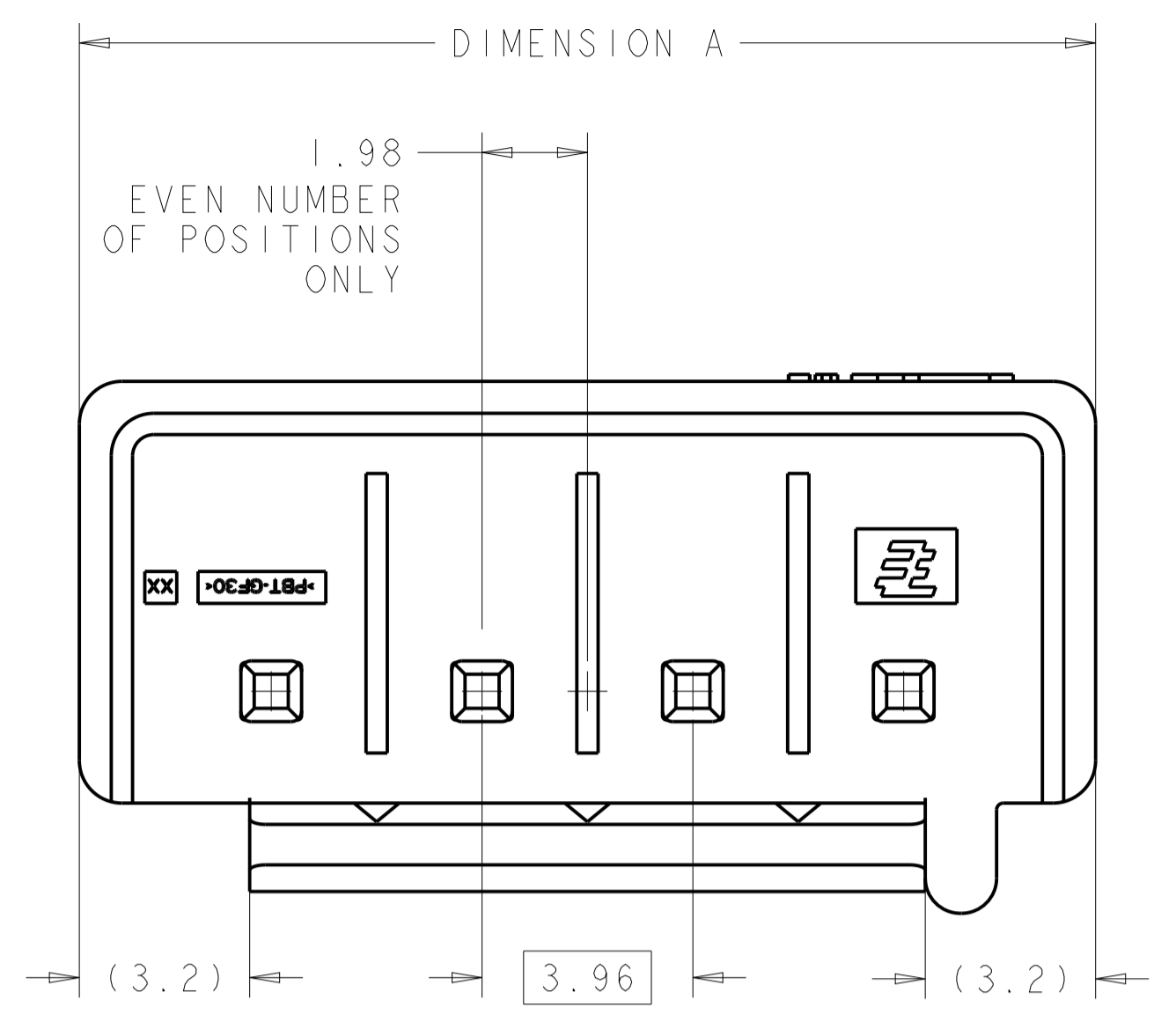
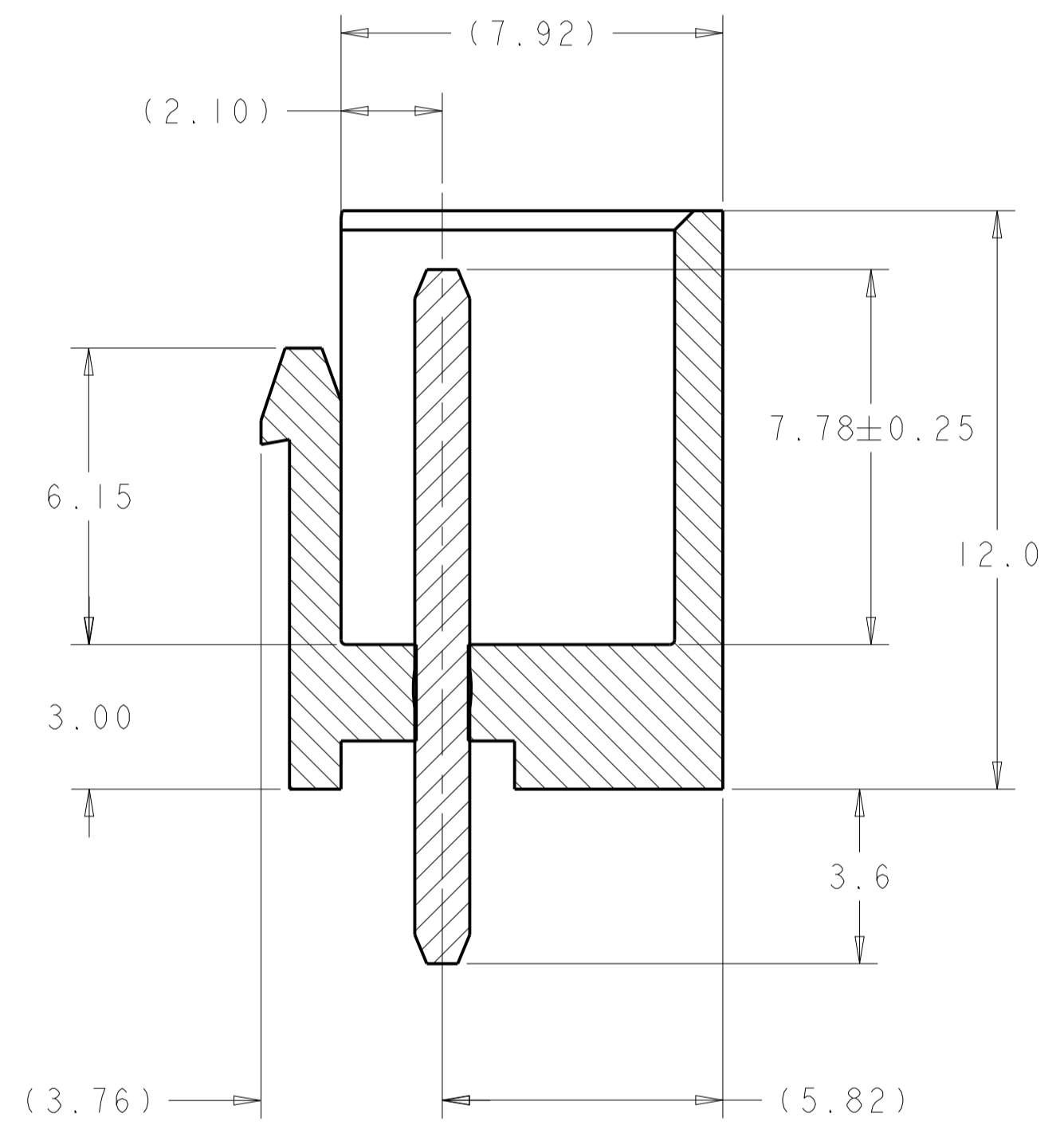
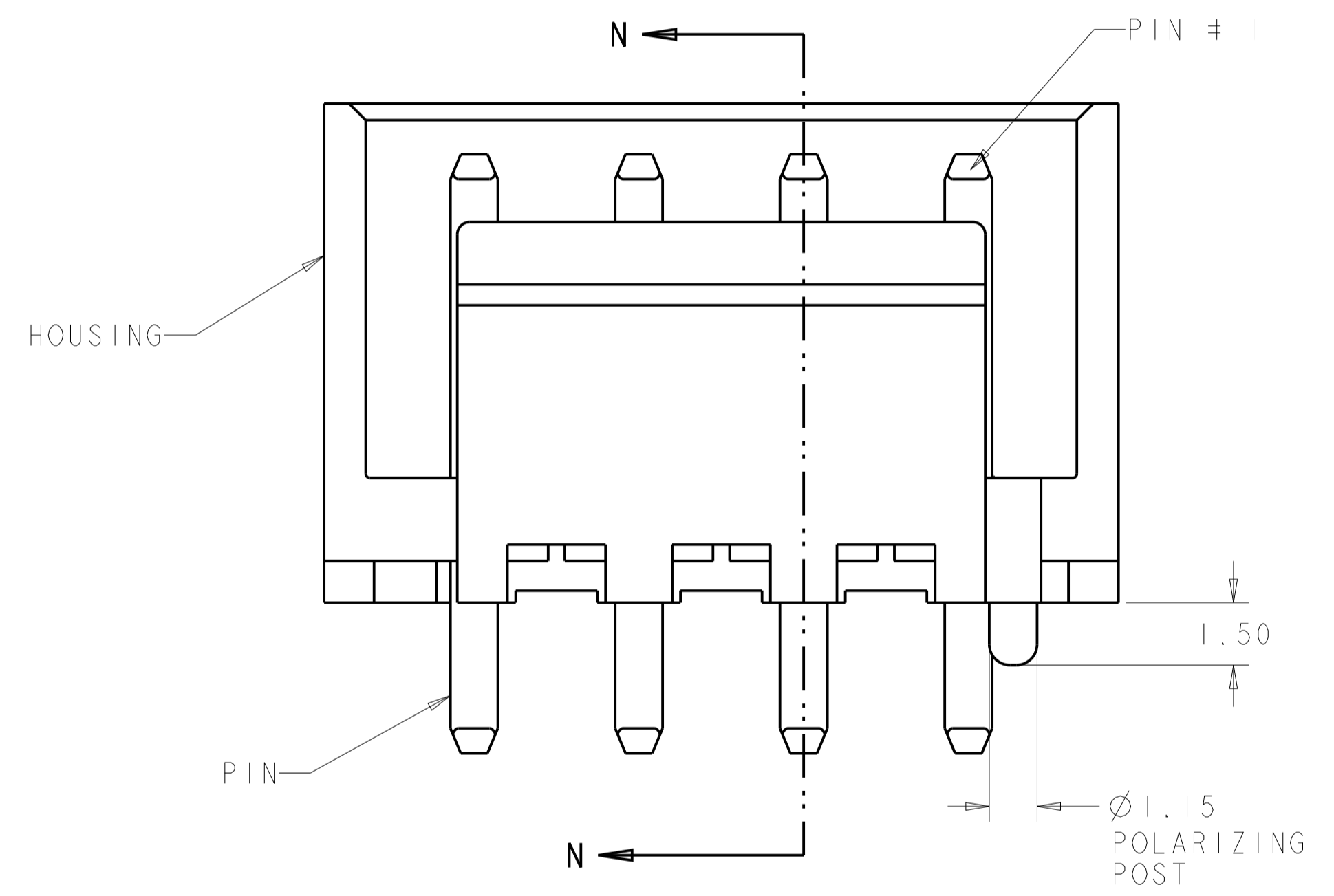


LOC		DIST		REVISIONS			
GP	00	P	LTN	DESCRIPTION	DATE	DWN	APVD
		A		REVISED PER ECR-14-002687	06MAR2014	NK	TM

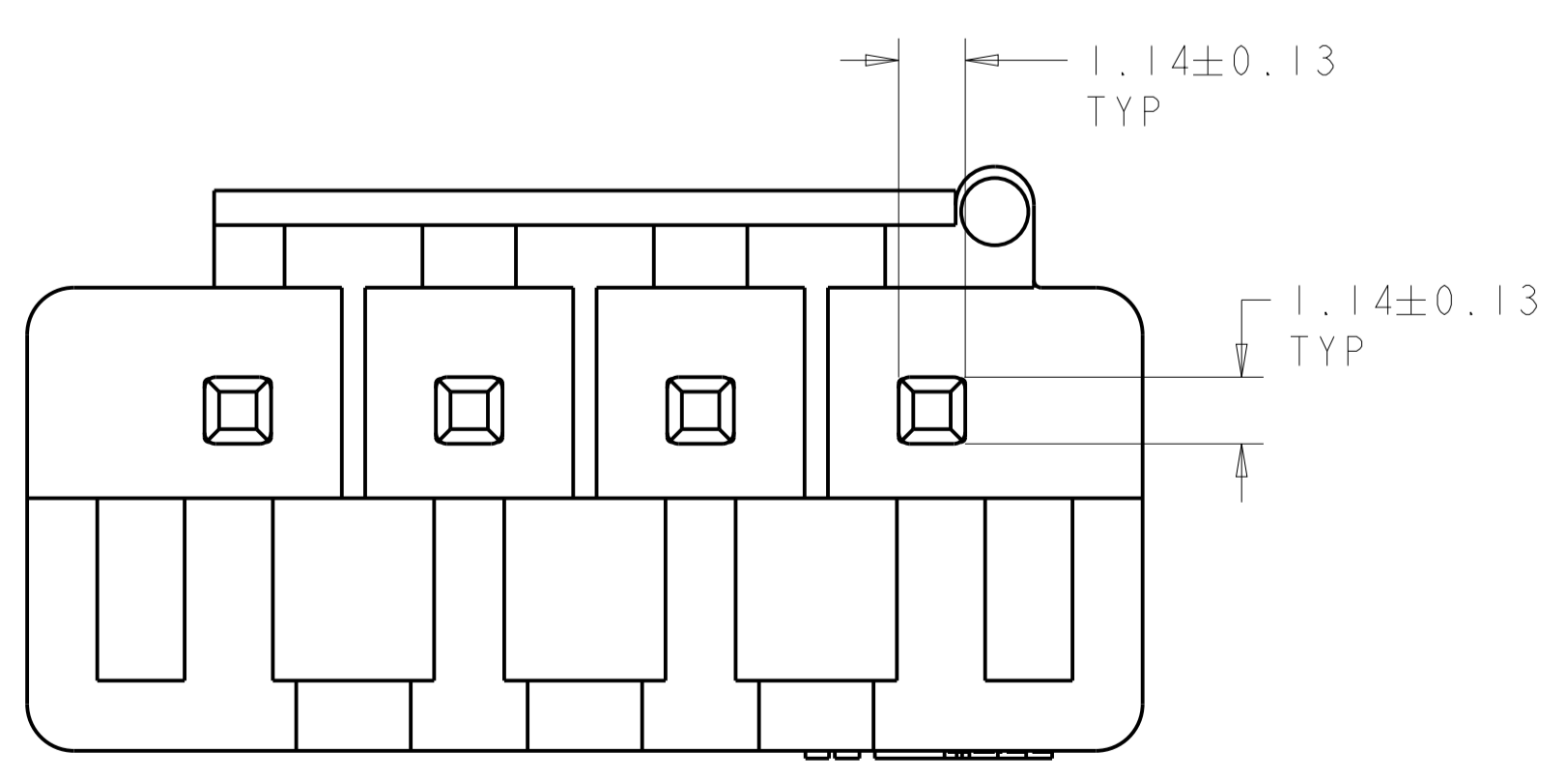


RECOMMENDED PCB LAYOUT
SCALE 6:1

- △ MATERIAL: HOUSING; PBT GLASS FILLED UL94V-0
PIN; BRASS, YELLOW
- △ FINISH: PIN, 1.0μm MIN TIN OVER 0.8μm MIN NICKEL.



SECTION N-N



50.77	12	1-1744484-2
46.81	11	1-1744484-1
42.85	10	1-1744484-0
38.89	9	1744484-9
34.93	8	1744484-8
30.97	7	1744484-7
27.01	6	1744484-6
23.05	5	1744484-5
19.09	4	1744484-4
15.13	3	1744484-3
11.17	2	1744484-2
DIM A	POS	ASSEMBLY PART NO.

THIS DRAWING IS A CONTROLLED DOCUMENT.

DWN: KIRAN_HOLAL 11AUG2012
CHK: MACE_SAM 11AUG2012
APVD: MACE_SAM 11AUG2012

TE Connectivity

NAME: SHROUDED HEADER ASSEMBLY, SINGLE LATCH, 3.96mm PITCH, ECONOMY POWER (EP), YELLOW

PRODUCT SPEC: 108-5609
APPLICATION SPEC:

SIZE: A1
CAGE CODE: 00779
DRAWING NO: 1744484

WEIGHT: -
Customer Drawing

SCALE: 8:1 SHEET 1 OF 1 REV A