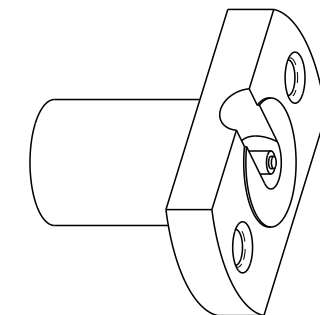
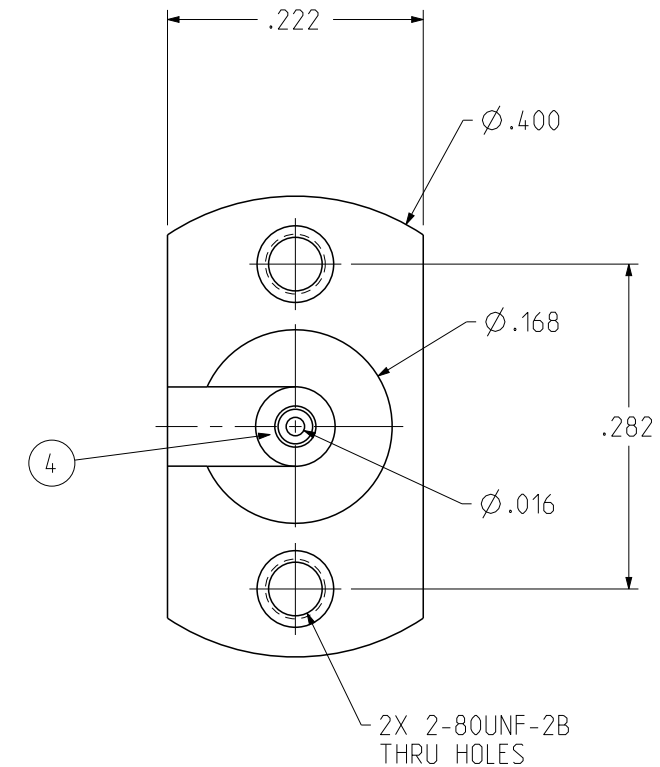
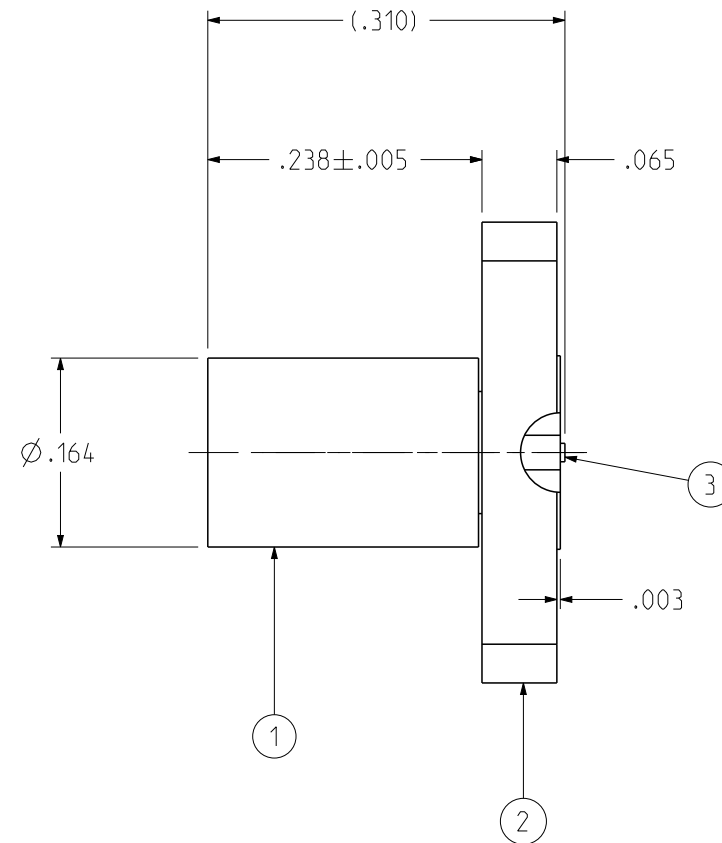


| PART NUMBER  | ITEM ①<br>BODY   | ITEM ②<br>BASE  | ITEM ③<br>CONTACT  | ITEM ④<br>INSULATOR |
|--------------|--|---|--|---------------------|
| 127-0701-631 | BERYLLIUM COPPER<br>GOLD PL .00005 MIN OVER<br>NICKEL PL .00005 MIN OVER<br>COPPER PL .00005 MIN | BRASS<br>GOLD PL .00003 MIN OVER<br>NICKEL PL .00005 MIN OVER<br>COPPER PL .00005 MIN | BERYLLIUM COPPER<br>GOLD PL .00005 MIN OVER<br>NICKEL PL .00005 MIN OVER<br>COPPER PL .00005 MIN | TEFLON              |

| REV | ECO             | DATE      |
|-----|-----------------|-----------|
| 1   | INITIAL RELEASE | 01APR2020 |



SCALE 4:1

NOTES:

1. ELECTRICAL SPECIFICATIONS:

- 1.1 IMPEDANCE: 50 OHMS NOMINAL
- 1.2 FREQUENCY RANGE: DC-40 GHz
- 1.3 VSWR: 1.50 MAX
- 1.4 WORKING VOLTAGE: 335 VRMS MAX AT SEA LEVEL
- 1.5 DIELECTRIC WITHSTANDING VOLTAGE: 500 VRMS MIN AT SEA LEVEL
- 1.6 INSULATION RESISTANCE: 5000 MEGOHM MIN
- 1.7 CONTACT RESISTANCE:
  - 1.7.1 CENTER CONTACT - INITIAL 6.0 MILLIOHM MAX, AFTER ENVIRONMENTAL NOT APPLICABLE
  - 1.7.2 OUTER CONDUCTOR - INITIAL 2.0 MILLIOHM MAX, AFTER ENVIRONMENTAL NOT APPLICABLE
- 1.8 INSERTION LOSS: 0.12 √F (GHz) dB MAX, TESTED AT 10 GHz  
CORONA LEVEL: 190 VOLTS MINIMUM AT 70,000 FEET  
RF LEAKAGE: -80 dB TYPICAL, TESTED AT 2.5 GHz  
RF HIGH POTENTIAL WITHSTANDING VOLTAGE: 325 VRMS MIN AT 4 AND 7 MHZ

2. MECHANICAL SPECIFICATIONS:

- 2.1 INTERFACE DESIGN: IN ACCORDANCE WITH MIL-STD-348A, SERIES SMP
- 2.2 ENGAGEMENT FORCE: 15.0 LBS MAX (FULL DETENT)
- 2.3 DISENGAGEMENT FORCE: 5.0 LBS MIN (FULL DETENT)
- 2.4 CONTACT RETENTION: 1.5 LBS MIN AXIAL FORCE
- 2.5 DURABILITY: 100 CYCLES MIN (FULL DETENT)

3. ENVIRONMENTAL:

- 3.1 OPERATING TEMPERATURE: -65 °C TO 165 °C
- 3.2 THERMAL SHOCK: MIL-STD-202, METHOD 107, CONDITION B, EXCEPT 125°C HIGH TEMP
- 3.3 MECHANICAL SHOCK: MIL-STD-202, METHOD 213, CONDITION I
- 3.4 CORROSION: MIL-STD-202, METHOD 101, CONDITION B
- 3.5 VIBRATION: MIL-STD-202, METHOD 204, CONDITION B
- 3.6 MOISTURE: MIL-STD-202, METHOD 106, EXCEPT STEP 7B OMITTED

|  |   |   |  |   |
|--|---|---|--|---|
|  | Model No:   | 127-0701-631/640  | JOHNSON  |   |
|  | This PROPRIETARY Document is property of Cinch Connectivity Solutions. It is confidential in nature, non-transferable, and issued with the clear understanding that it is not traced or copied without permission and is returnable upon demand.<br>INTERPRET DRAWING IN ACCORDANCE WITH ASME Y14.5-2009. | RoHS <input checked="" type="checkbox"/> (EU)/2015/863 COMPLIANT<br>UNLESS OTHERWISE SPECIFIED UNITS: INCH<br>.XX ± .01<br>.XXX ± .003<br>.XXXX ± .0010<br>ANGLE ± 2° | Cage Code<br>3RD ANGLE PROJECTION<br>Drawn by:<br>ROMAN.YAO<br>Date:<br>04/01/2020 | Title:<br>2-HOLE FLANGE MOUNT JACK, PCB COMPRESSION MOUNT, VERTICAL LAUNCH, WITH GROOVE, SMP<br>Drawing No.<br>127-0701-631/640<br>Size<br>B DO NOT SCALE DRAWING |