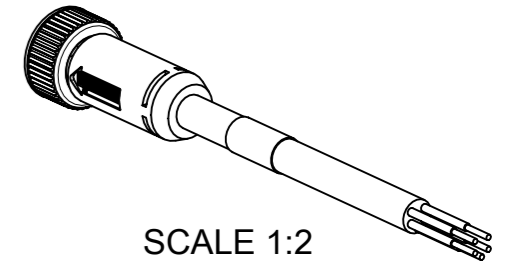
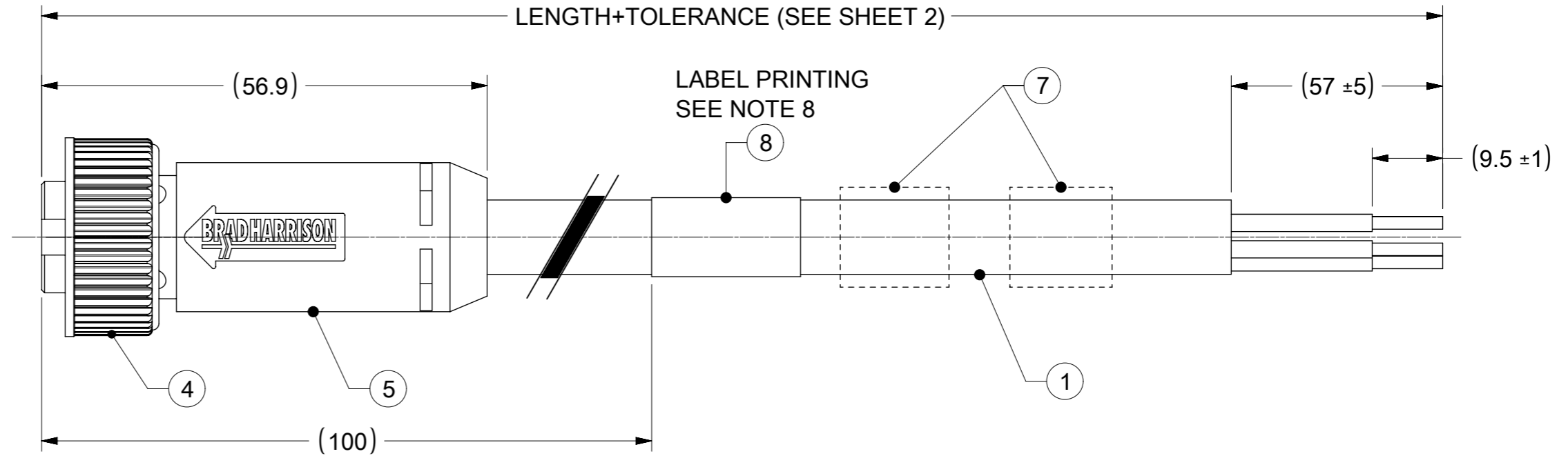
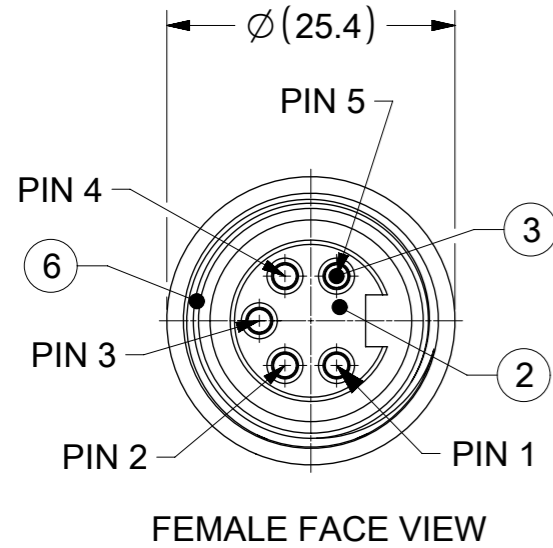


CABLE SPECIFICATION:

JACKET:  
 COLOR: GRAY  
 MATERIAL: TPU BASED COMPOUND  
 DIAMETER: 8.50±0.30mm  
 CONDUCTOR:  
 INSULATION DIAMETER: 2.40mm  
 INSULATION MATERIAL: TPE



SCALE 1:2



NOTES:

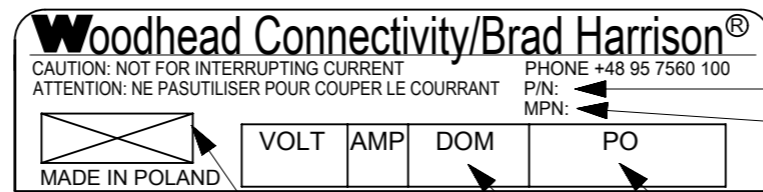
- MATERIAL: AS NOTED
- FINISH: AS NOTED
- ELECTRICAL:  
 VOLTAGE: 600 V  
 CURRENT: 10 A
- TEMP RATING:  
 STATIC: -40 °C TO 90 °C  
 DYNAMIC: -25 °C TO 80 °C
- PROTECTION: IP67 (WHEN MATED)
- UL CERTIFICATION: UL LISTED, FILE NO. E152210
- PART LIST AND MATRIX - SEE SHEET 2
- LABEL PRINTING ACC. STANDARD LABEL INSTRUCTION

WIRING DIAGRAM

MC 5P  
 FEMALE



LABEL PRINTING



ENGINEERING NO.  
 MOLEX PN

PO NO.  
 PRODUCT. DATE

CERTIFICATION SYMBOLS

BILL OF MATERIAL

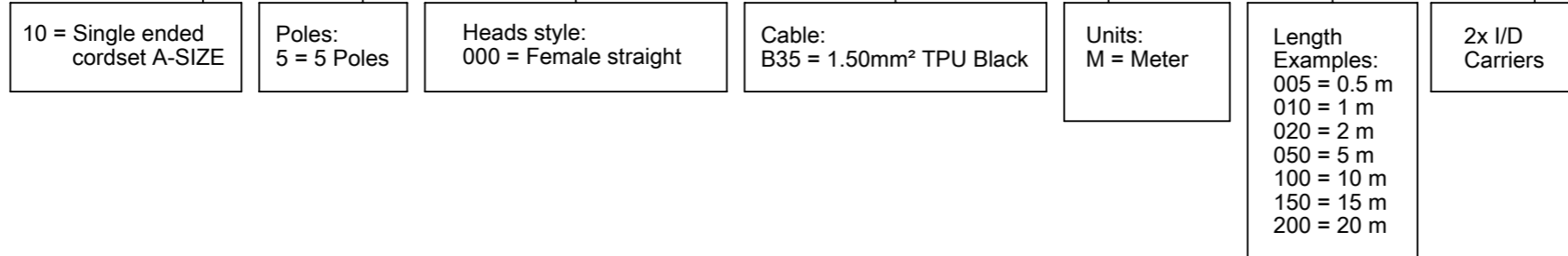
ITEM	DESCRIPTION	MATERIAL	FINISH/COLOR
1	#16-5 CABLE, WELD AND SLAG RESISTANT	TPU	GRAY
2	FEMALE INSERT	TPE	BLACK
3	SOCKET CONTACT	Cu ALLOY	GOLD OVER NICKEL
4	COUPLING NUT	ZINC DIE-CAST	BLACK E-COAT
5	OVERMOLD	TPE	BLACK
6	FRICTION RING	NYLON	WHITE
7	I/D CARRIER	PVC	TRASPARENT
8	WRAP LABEL	VINYL	YELLOW

FUNCTIONAL SYMBOLS ▽A = 0 ▽E = 0 ▽V = 0	THIS DRAWING CONTAINS INFORMATION THAT IS PROPRIETARY TO MOLEX ELECTRONIC TECHNOLOGIES, LLC AND SHOULD NOT BE USED WITHOUT WRITTEN PERMISSION	SCALE 1:1		CURRENT REV DESC: NOTES UPDATED, LABEL PRINTING ADDED		
	DIMENSION UNITS mm		GENERAL TOLERANCES (UNLESS SPECIFIED)			
	ANGULAR TOL ± 1.0 °		EC NO: 747270 DRWN: RSCHIEBER 2023/04/18 CHK'D: RSILLER 2023/04/27 APPR: RSILLER 2023/04/27			
	DIVISIONAL SYMBOLS		INITIAL REVISION:		DOCUMENT NUMBER	
4 PLACES ±		DRWN: AKABADI 2022/07/26		1300068203		
3 PLACES ±		APPR: RSILLER 2023/01/30		DOC TYPE DOC PART REVISION		
2 PLACES ± 0.05		THIRD ANGLE PROJECTION		PSD 000 A1		
1 PLACE ± 0.3		DRAWING		MATERIAL NUMBER		
0 PLACES ± 0.5		A3-SIZE		130006		
DRAFT WHERE APPLICABLE MUST REMAIN WITHIN DIMENSIONS		SERIES		CUSTOMER		
		130006		SEE SHEET2 GENERAL MARKET		
		SHEET NUMBER		1 OF 2		

DOCUMENT STATUS	P1	RELEASE DATE	2023/04/27	12:11:46
-----------------	----	--------------	------------	----------

# PART NUMBER MATIX

1 0 5 0 0 0 B 3 5 M X X X H



## PART LIST

MOLEX PN	ENGINEERING NO.	L + Tol. [MM]
1300068203	105000B35M010H	1000 +56
1300068204	105000B35M020H	2000 +89
1300068205	105000B35M050H	5000 +165
1300068206	105000B35M100H	10000 +317
1300068207	105000B35M200H	20000 + 610
1300068208	105000B35M300H	30000 +610
1300068209	105000B35M350H	35000 +700

<b>FUNCTIONAL SYMBOLS</b>	THIS DRAWING CONTAINS INFORMATION THAT IS PROPRIETARY TO MOLEX ELECTRONIC TECHNOLOGIES, LLC AND SHOULD NOT BE USED WITHOUT WRITTEN PERMISSION		
▽ <sub>A</sub> = 0	DIMENSION UNITS	SCALE	CURRENT REV DESC: NOTES UPDATED, LABEL PRINTING ADDED
	mm	1:1	
▽ <sub>E</sub> = 0	GENERAL TOLERANCES (UNLESS SPECIFIED)		
▽ <sub>P</sub> = 0	ANGULAR TOL ± 1.0 °		
<b>DIVISIONAL SYMBOLS</b>	4 PLACES	±	EC NO: 747270 DRWN: RSCHIEBER 2023/04/18 CHK'D: RSILLER 2023/04/27 APPR: RSILLER 2023/04/27
	3 PLACES	±	
	2 PLACES	± 0.05	
	1 PLACE	± 0.3	
	0 PLACES	± 0.5	
	DRAFT WHERE APPLICABLE MUST REMAIN WITHIN DIMENSIONS		INITIAL REVISION: DRWN: AKABADI 2022/07/26 APPR: RSILLER 2023/01/30
THIRD ANGLE PROJECTION		DRAWING	SERIES
			MATERIAL NUMBER
		A3-SIZE	CUSTOMER
		130006	DOCUMENT NUMBER
		SEE SHEET2	DOC TYPE
		GENERAL MARKET	DOC PART
		2 OF 2	REVISION
		2 OF 2	

# molex

CSE MC 5P A-SIZE FE STR WSOR XM SE ID

PRODUCT CUSTOMER DRAWING

1300068203

PSD 000 A1