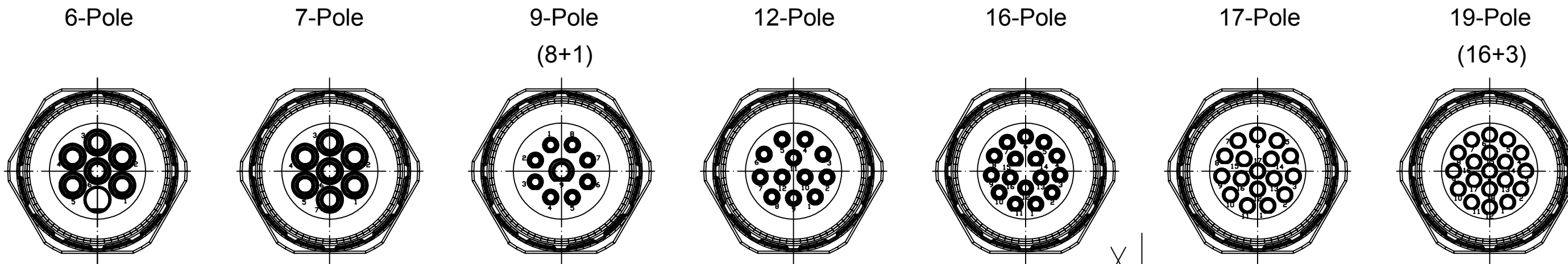
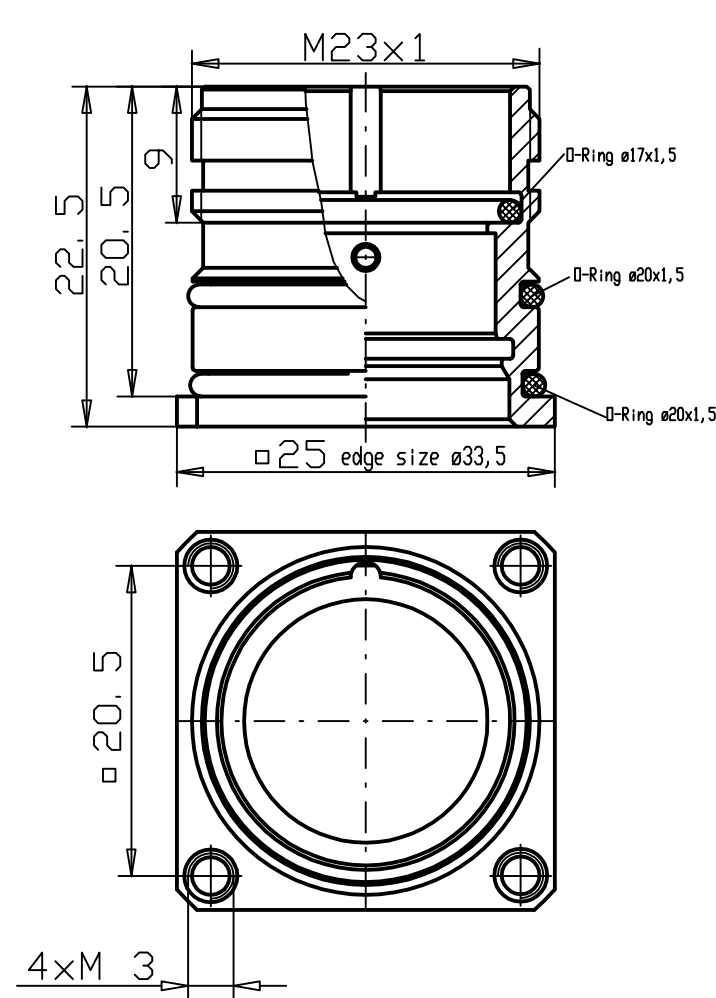


Views from "X" rotated



Cable Diameter	Solder Contacts	PCB Contacts	Crimp Contacts	Without Contacts
6 Pole	KRS6G46-5541	KRS6G46-7741	KRS6G46-4041	KRS6G46-0041
	1202310064	1202310065	1202310066	1202310067
Crimp range*			0,75-2,5mm ²	
7 Pole	KRS7G46-5541	KRS7G46-7741	KRS7G46-4041	KRS7G46-0041
	1202310068	1202310069	1202310070	1202310071
Crimp range*			0,75-2,5mm ²	
9 Pole (8+1)	KRS9G46-5541	KRS9G46-7741	KRS9G46-4141	KRS9G46-0041
	1202310072	1202310073	1202310074	1202310075
Crimp range*			0,14-1,0mm ² /0,75-2,5mm ²	
12 Pole	KRSCG46-5541	KRSCG46-7741	KRSCG46-0141	KRSCG46-0041
	1202310076	1202310077	1202310078	1202310079
Crimp range*			0,14-1,0mm ²	
16 Pole	KRSHG46-5541	KRSHG46-7741	KRSHG46-0141	KRSHG46-0041
	1202310080	1202310081	1202310082	1202310083
Crimp range*			0,14-1,0mm ²	
17 Pole	KRSJG46-5541	KRSJG46-7741	KRSJG46-0141	KRSJG46-0041
	1202310084	1202310085	1202310086	1202310087
Crimp range*			0,14-1,0mm ²	
19 Pole (16+3)	KRSLG46-5541	KRSLG46-7741	KRSLG46-1141	KRSLG46-0041
	1202310088	1202310089	1202310090	1202310091
Crimp range*			0,14-1,0mm ² /0,14-1,0mm ²	



Notes:
Tolerances (unless specified): DIN ISO 2768 m

*Crimp range only applies to "Crimp Contacts" version

DESCRIPTION EC NO.: WEU2009-0135 DRWN: BBRAUCH 2008/11/17 CHKD: --- APPR: JKOLB 2009/03/02 REV 1	QUALITY SYMBOLS	GENERAL TOLERANCES (UNLESS SPECIFIED)	DIMENSION STYLE	SCALE	DESIGN UNITS	FIRST ANGLE PROJECTION
	▽ = 0	mm INCH	MM	---	METRIC	
	▽C = 0	4 PLACES ± ---- ± ----	DRAWN BY DATE			
		3 PLACES ± ---- ± ----	BB 2008/11/17			
	2 PLACES ±0.05 ± ----	CHECKED BY DATE				M23 BACK PM RECEPT. MALE FLANGE-MOUNT 4 X M3
	1 PLACE ±0.1 ± ----	JKO 2008/12/09				
	ANGULAR ± --- °	APPROVED BY DATE				MOLEX INCORPORATED

	DRAFT WHERE APPLICABLE MUST REMAIN WITHIN DIMENSIONS	MATERIAL NO.	see table	DOCUMENT NO.	SD-120231-004	SHEET NO. 1 OF 1
		SIZE	A3	THIS DRAWING CONTAINS INFORMATION THAT IS PROPRIETARY TO MOLEX INCORPORATED AND SHOULD NOT BE USED WITHOUT WRITTEN PERMISSION		