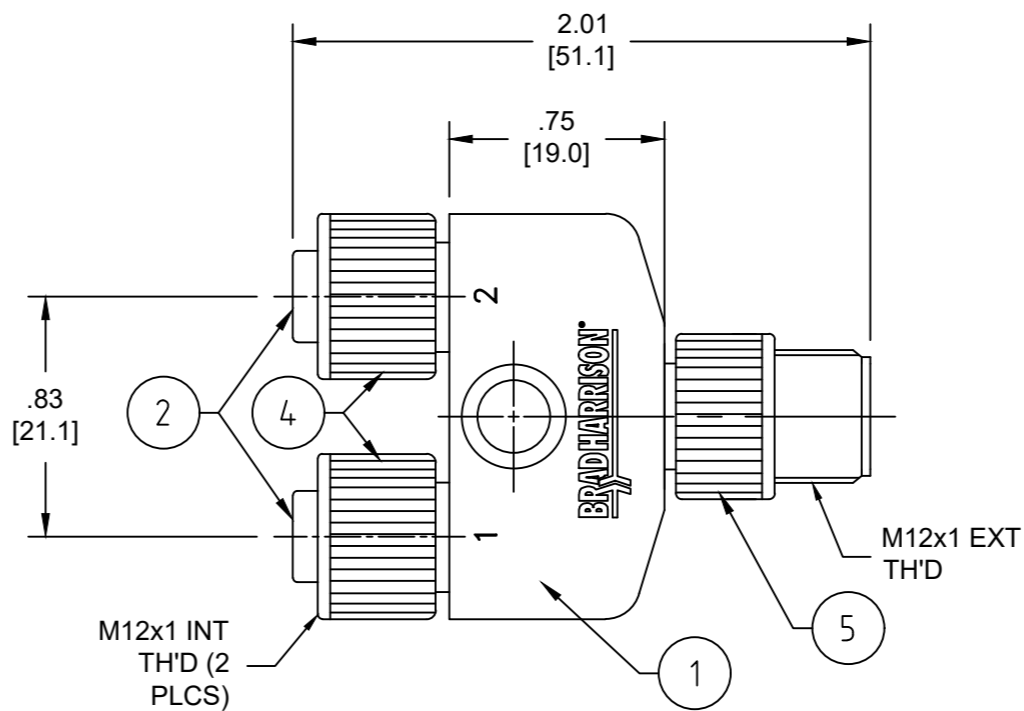
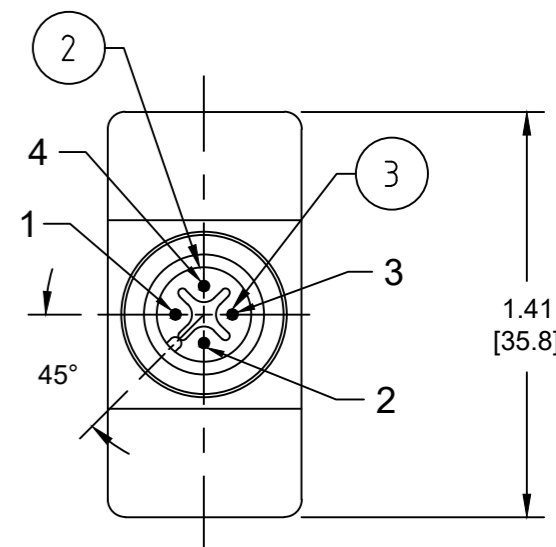


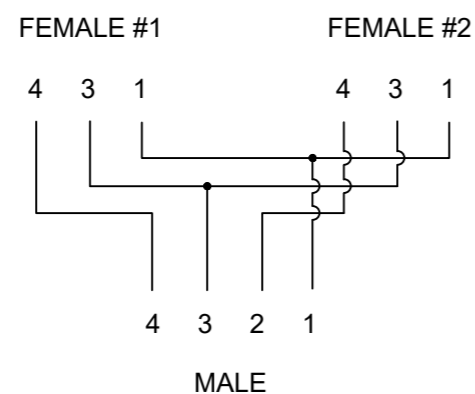
4 POLE FEMALES
FRONT VIEW



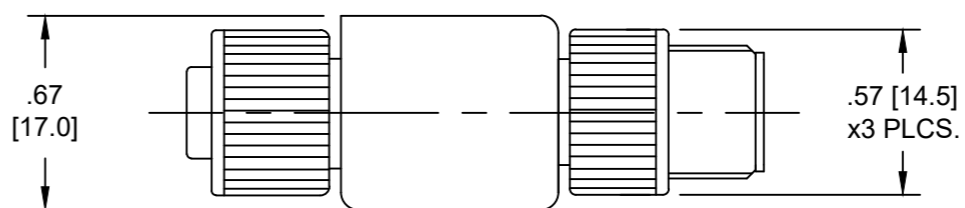
TOP VIEW



4 POLE MALE
FRONT VIEW



WIRE DIAGRAM



SIDE VIEW

- NOTES: (A)
1. MATERIAL: AS NOTED
 2. FINISH: AS NOTED
 3. ELECTRICAL:
VOLTAGE: 24V
CURRENT: 4A
 4. TEMP RATING: -20°C TO +80°C
 5. PROTECTION: IP67 (WHEN MATED)
 6. UL FILE: E152210
 7. ALL DIMENSIONS ARE FOR REFERENCE
UNLESS TOLERANCED OR NOTED OTHERWISE

MATERIAL NUMBER	ENGINEERING NUMBER	OVERMOLD COLOR
1200680169	81590R	GREY
1200680170	81594R	YELLOW
1200680229	81590	GREY

ITEM	COMPONENT	MATERIAL	FINISH
6	O-RING	VITON	RED
5	MALE COUPLING NUT	ZINC DIE CAST	BLACK E-COAT
4	FEMALE COUPLING NUT	ZINC DIE CAST	BLACK E-COAT
3	CONTACT	COPPER ALLOY	GOLD/NICKEL PLATED
2	INSERT	NYLON	BLACK
1	OVERMOLD	TPC	SEE TABLE

FUNCTIONAL SYMBOLS F=0 E=0 P=0	THIS DRAWING CONTAINS INFORMATION THAT IS PROPRIETARY TO MOLEX ELECTRONIC TECHNOLOGIES, LLC AND SHOULD NOT BE USED WITHOUT WRITTEN PERMISSION			
	DIMENSION UNITS INCH/MM	SCALE NTS		
DIVISIONAL SYMBOLS	GENERAL TOLERANCES (UNLESS SPECIFIED)		EC NO: 669893	
	4 PLACES	±--- ±---	DRWN: ABENJAMINLW 2021/04/05	MICRO-CHANGE MOLDED SPLITTER, M12, 4-3 POLE, MALE - FEMALE, STRAIGHT, SINGLE KEY, #22 AWG PRODUCT CUSTOMER DRAWING
3 PLACES	±--- ±0.005	CHK'D: RSTONE 2021/07/12	DOCUMENT NUMBER	
2 PLACES	±0.13 ±0.01	APPR: BWOODMAN 2021/07/14	SD-120068-034	DOC TYPE/DOC PART/REVISION
1 PLACE	±0.25 ±0.02	INITIAL REVISION:	PSD 001	A
0 PLACES	±--- ±---	DRWN: BBRAUCH 2010/02/17	SEE CHART	GENERAL MARKET
ANGULAR TOL ± 0.5 °		APPR: NSTAUDIG 2010/02/24	SHEET NUMBER	
DRAFT WHERE APPLICABLE MUST REMAIN WITHIN DIMENSIONS		THIRD ANGLE PROJECTION	B-SIZE	120068