

THIS DRAWING IS UNPUBLISHED.

RELEASED FOR PUBLICATION NOV , 2003.

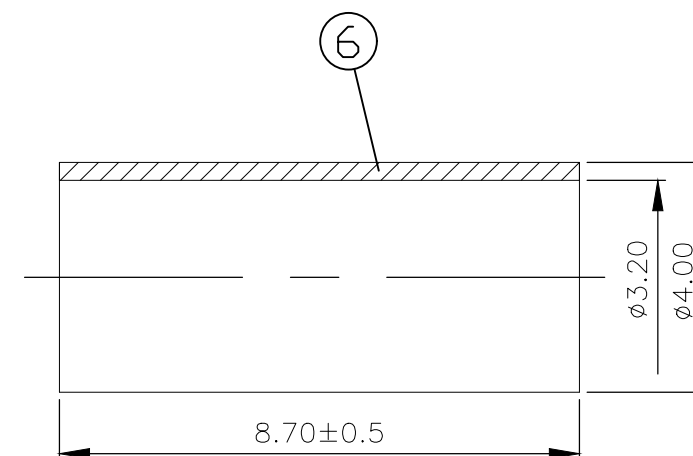
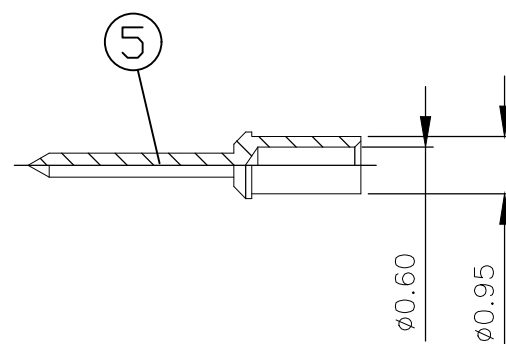
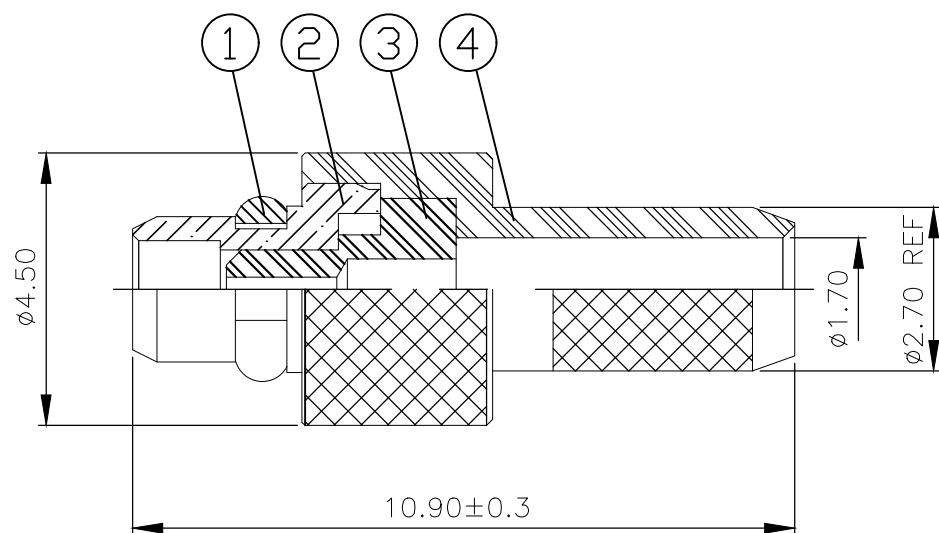
© COPYRIGHT 2003 By -

ALL RIGHTS RESERVED.

REVISIONS

P	LTR	DESCRIPTION	DATE	DWN	APVD
	B2	ECR-19-007643	15MAY2019	RZ	RS

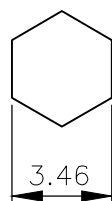
- 1 SINGLE PACK IN ACCORDANCE WITH SPEC 107-3275
- 2 100 TRAY PACK IN ACCORDANCE WITH SPEC 107-3275
- 3 0.76µm Au PLATING OVER 1.27µm Ni PLATING OVER 0.76µm Cu PLATING
- 4 0.08µm Au PLATING OVER 1.27µm Ni PLATING OVER 0.76µm Cu PLATING
- 5 HANDTOOL 9-1478240-0
- 6 DIE SET 9-1478248-0



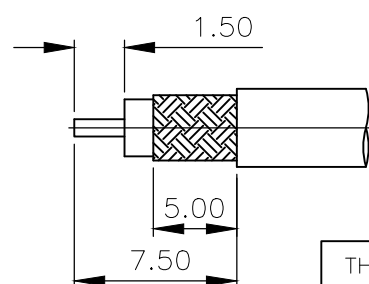
RECOMMENDED CENTRE CONTACT A/F SQR



RECOMMENDED CRIMP SLEEVE A/F HEX



RECOMMENDED CABLE STRIPPING DIM'S



QTY	QTY PER ASSY	MATERIAL	DESCRIPTION	ITEM
1	1	BRASS	CRIMP SLEEVE	6
1	1	BRASS	PIN	5
1	1	BRASS	BODY	4
1	1	PTFE	INSULATOR	3
1	1	BRASS	BODY	2
1	1	BERYLLIUM COPPER	RETAINING RING	1
6--0	1--0			

THIS DRAWING IS A CONTROLLED DOCUMENT.		DWN J.SANDWELL 12NOV03	STE TE Connectivity	
DIMENSIONS: mm		CHK S.PARLOW 12NOV03		
TOLERANCES UNLESS OTHERWISE SPECIFIED:		APVD F.WHEELER-KING 12NOV03	NAME	
0 PLC ± -		PRODUCT SPEC	MMCX STRAIGHT PLUG CRIMP	
1 PLC ± -		108-2084	RG174 50 OHMS	
2 PLC ± 0.15		APPLICATION SPEC	-	
3 PLC ± -			SIZE	CAGE CODE
4 PLC ± -			A3	00779
ANGLES ± -		WEIGHT	DRAWING NO	RESTRICTED TO
FINISH		0.000000	C-1634000	-
MATERIAL		CUSTOMER DRAWING		SCALE
				NTS
		SHEET		1 OF 1
		REV		B2