

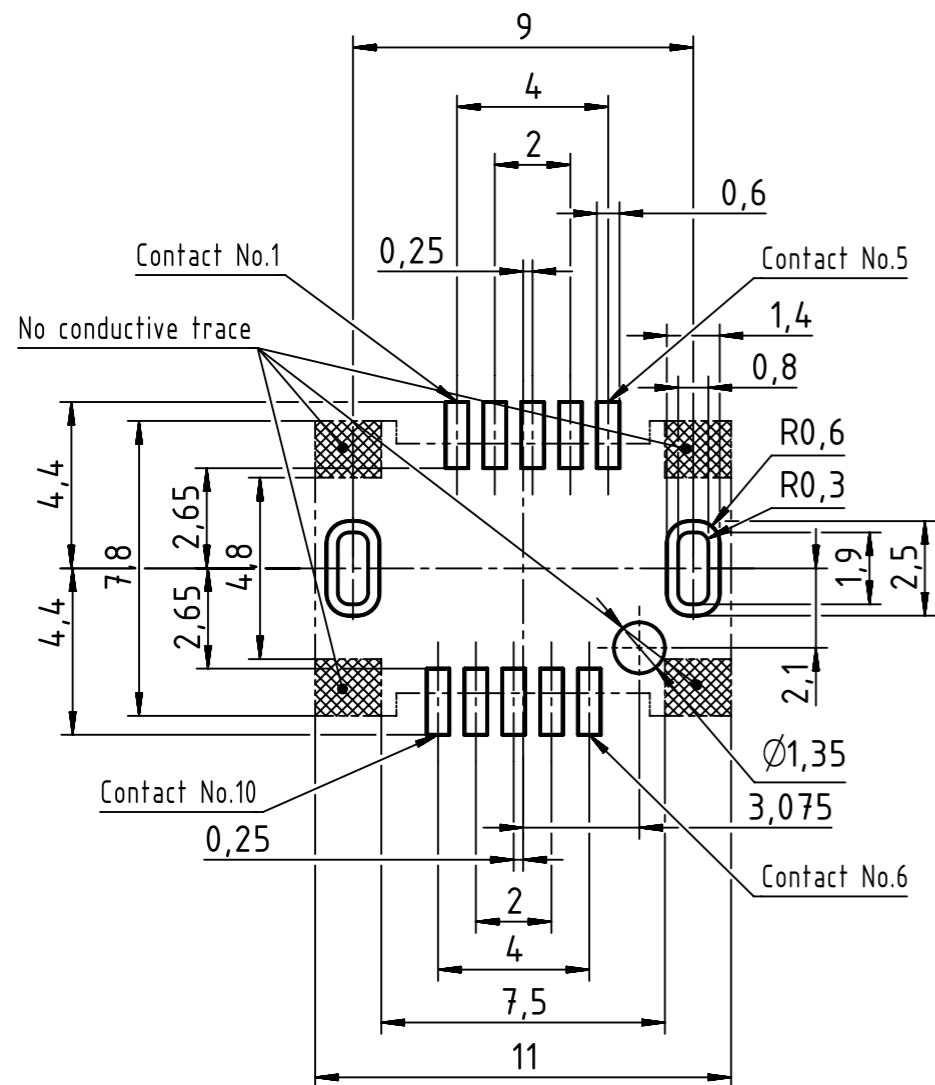
Contact No.	Signal	
	10/100 Mbit/s	1/10 Gbit/s
1	TX+	BI_DA+
2	TX-	BI_DA-
3	N.C.	GND
4	N.C.	BI_DC+
5	N.C.	BI_DC-
6	RX+	BI_DB+
7	RX-	BI_DB-
8	N.C.	GND
9	N.C.	BI_DD+
10	N.C.	BI_DD-

09452812562: Tape & reel packaging (450 pcs.)  
 09452812562333: Single packaging (1 pcs.)

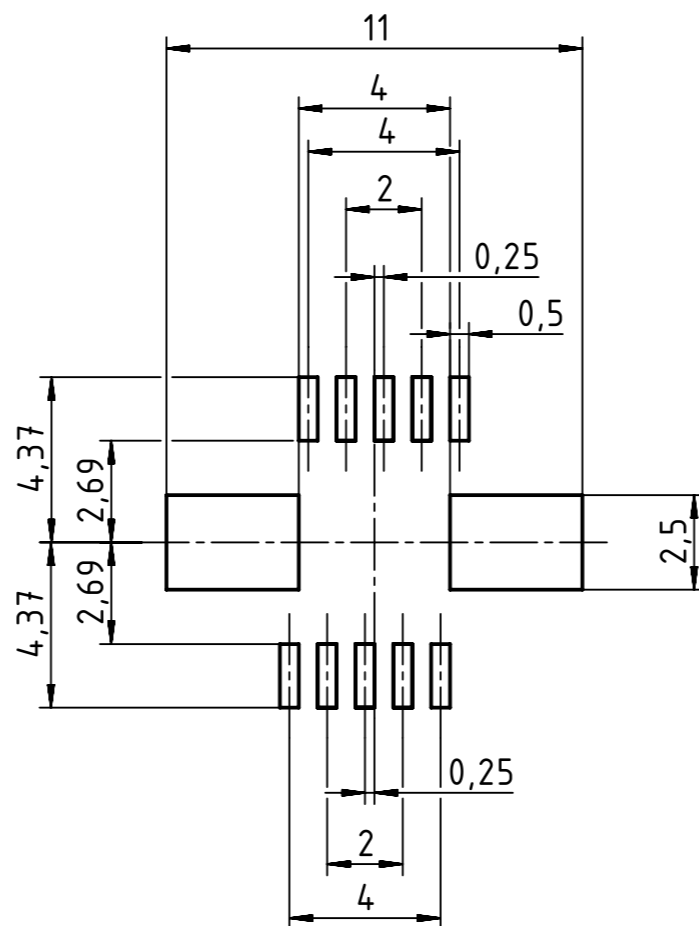
This product is mounted by reflow soldering.  
 Contact material: copper alloy  
 Contact area: 0.2µm min.  
 Lead area: 0.03µm min.  
 Under plating: 2µm min.

	All rights reserved Department EL PD	All Dimensions in mm Original Size DIN A3	Scale 5:1 Free size tol.	Ref. Sub.
		Created by 402602 Inspected by PRIESTER Standardisation HOFFMANN	Date 2019-10-31 State Final Release	Title ix Industrial 10A-1 jack V (T&R450) Type TB Number 09452812562

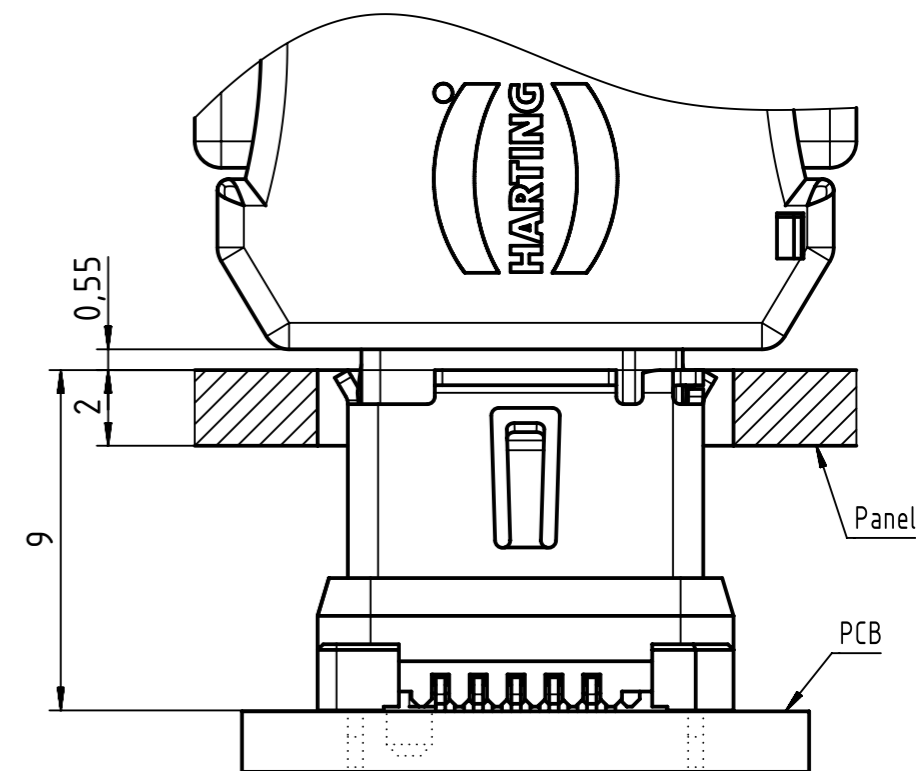
Reference PCB Layout (t=1.6)



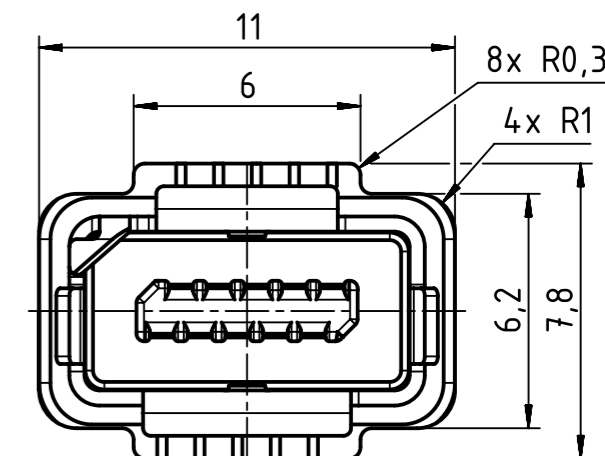
Example Metal Mask Layout (t=0.15)  
(SMD pitch >14.5)



Mated condition

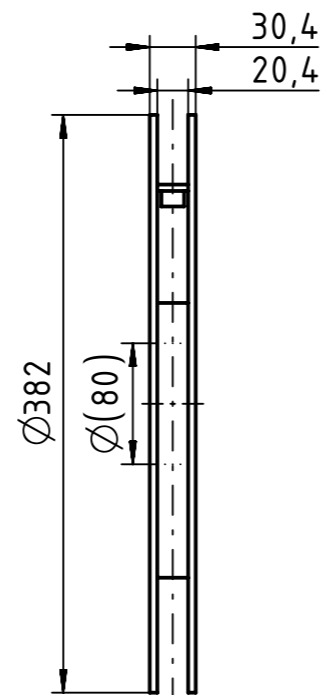
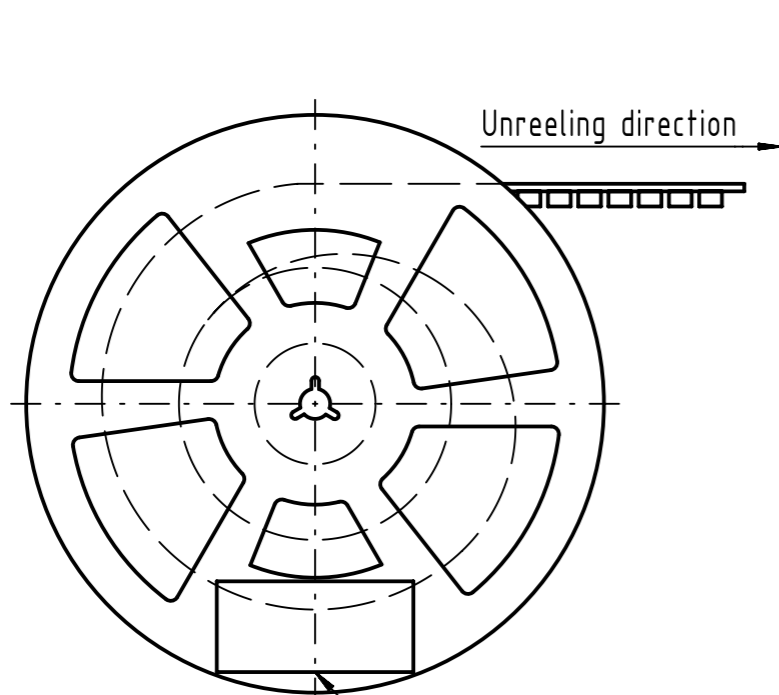
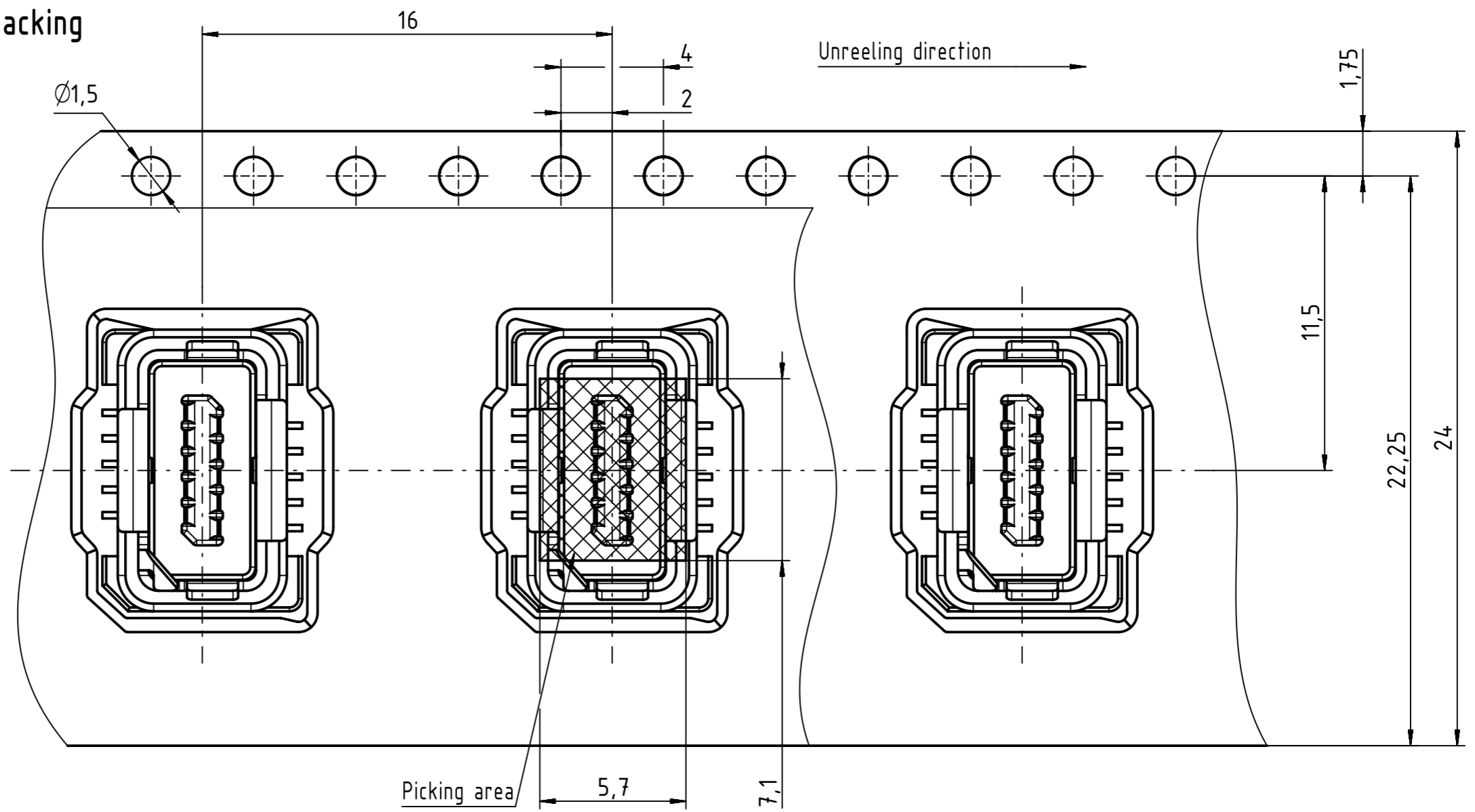


Reference dimensions  
of panel cutout



	All rights reserved	Created by 402602	Inspected by PRIESTER	Standardisation HOFFMANN	Date 2019-10-31	State Final Release	Ref. Sub.
	Department EL PD	Title ix Industrial 10A-1 jack V (T&R450)				Doc-Key / ECM-Nr. 100758847/UGD/000/C 500000159780	
HARTING Electronics GmbH D-32339 Espelkamp		Type TB	Number 09452812562		Rev. C	Page 2/3	

# Drawing for packing



Label (Part No. Code No. Lot No. Packing quantity)

	All rights reserved	Created by 402602	Inspected by PRIESTER	Standardisation HOFFMANN	Date 2019-10-31	State Final Release	Ref. Sub.
	Department EL PD	Title ix Industrial 10A-1 jack V (T&R450)				Doc-Key / ECM-Nr. 100758847/UGD/000/C 500000159780	
HARTING Electronics GmbH D-32339 Espelkamp		Type TB	Number 09452812562		Rev. C	Page 3/3	